

<https://daikin-p.ru>

DAIKIN



DAIKIN

Marine type

Container Refrigeration Unit

Service Manual · Parts List

Optional Functions

Model

LXE10D-A4

DAIKIN INDUSTRIES, LTD.

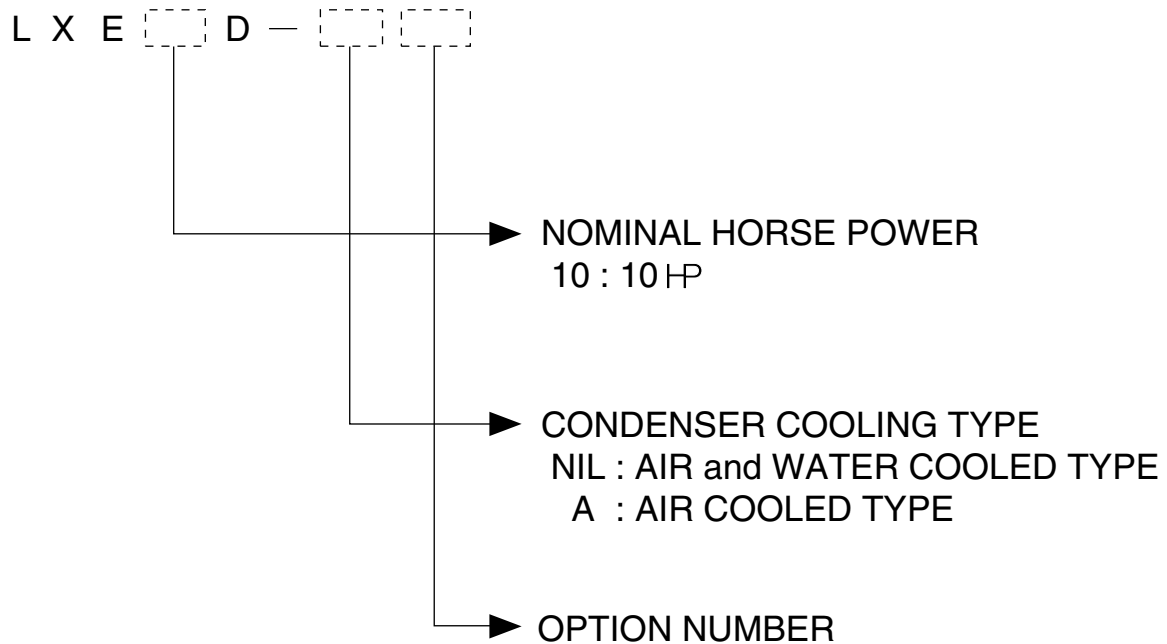
TR01-13

This manual describes only the items different from those of the standard machine.

For the items not described in this manual, refer to the following document.

- Service Guide, Services
- Service Manual (Operation)
- Parts List
- Operation Manual of Personal Computer Software
- Compressor Dismantling and Assembly Manual

Denomination of Model Name



Note) "R" GIVEN AFTER OPTION NUMBER STANDS FOR "REVISION" AND IT IS GIVEN FOR THE UNIT WHICH IS SPECIALLY MODIFIED.

CONTENTS

Chapter for operation and service work3

1. Schematic wiring diagram5

2. Stereoscopic wiring diagram6

Chapter for Parts List7

<https://daikin-p.ru>

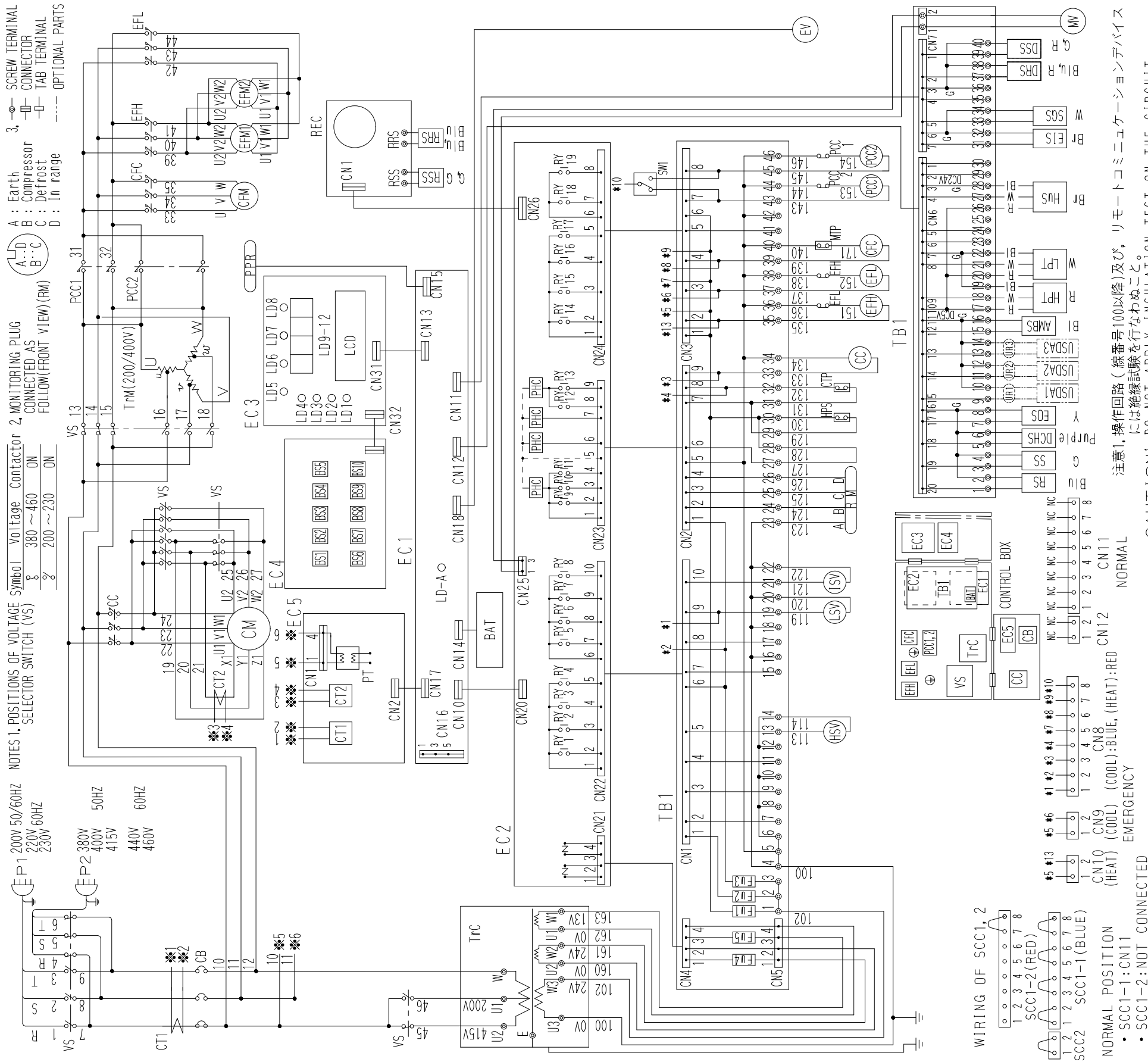
Chapter for operation and service work

(The items which are different from that of the standard products only are described in this manual)

<https://daikin-p.ru>

1. Schematic wiring diagram

CONTAINER REFRIGERATION UNIT WIRING DIAGRAM



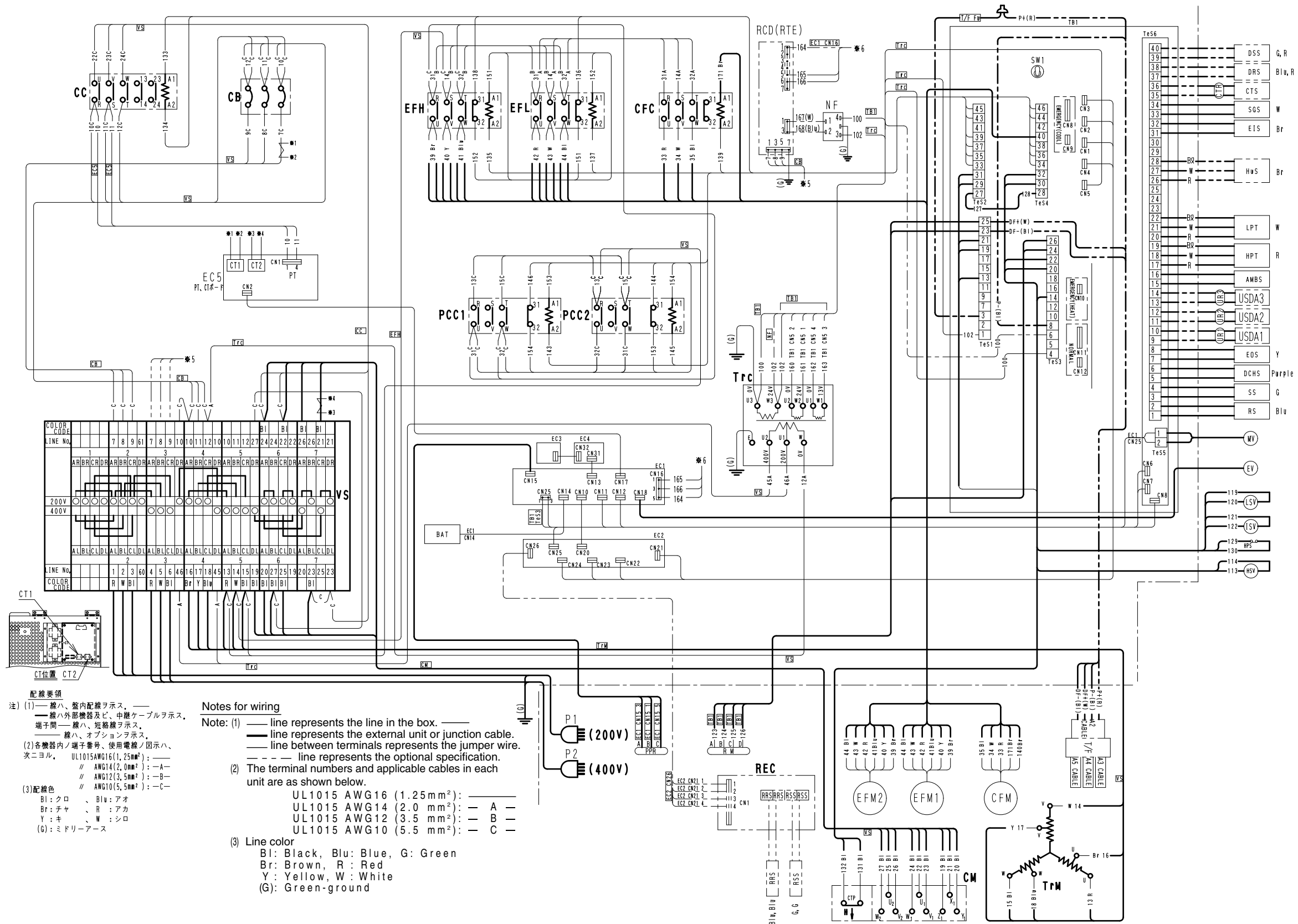
Symbol	Terminal	Function
AMBS	AMBS	AMBIENT TEMP. SENSOR
BAT	BAT	BATTERY
BS1-10	BS1-10	PUSH BUTTON SWITCH
CB	CB	CIRCUIT BREAKER (50A)
CC	CC	COMPRESSOR CONTACTOR
CFC	CFC	CONDENSER FAN CONTACTOR
CFM	CFM	CONDENSER FAN MOTOR
CM	CM	COMPRESSOR MOTOR
CT1, 2	CT1, 2	CURRENT TRANSFORMER
CTP	CTP	COMPRESSOR THERMAL PROTECTOR
DCHS	DCHS	COMPRESSOR DISCHARGE SENSOR
DRS	DRS	DATA RECORDER RETURN AIR SENSOR
DSS	DSS	DATA RECORDER SUPPLY AIR SENSOR
EC1	EC1	CPU BOARD (DECOS)
EC2	EC2	I/O BOARD (DECOS)
EC3	EC3	DISPLAY BOARD (DECOS)
EC4	EC4	SHEET KEY (DECOS)
EC5	EC5	PRINTED CIRCUIT BOARD (PT, CT)
EFH	EFH	HIGH SPEED EVAPORATOR FAN CONTACTOR
EFL	EFL	LOW SPEED EVAPORATOR FAN CONTACTOR
EIS	EIS	EVAPORATOR INLET SENSOR
EOS	EOS	EVAPORATOR OUTLET SENSOR
EV	EV	ELECTRONIC EXPANSION VALVE
Fu1-5	Fu1-5	FUSE (250V, 10A)
HPS	HPS	HIGH PRESSURE SWITCH
HPT	HPT	HIGH PRESSURE TRANSDUCER
HSV	HSV	HOT GAS SOLENOID VALVE
HUS	HUS	HUMIDITY SENSOR
I/SV	I/SV	INJECTION SOLENOID VALVE
LCD	LCD	LIQUID CRYSTAL DISPLAY
LD-A	LD-A	SERVICE MONITOR-GREEN
LD1	LD1	LIGHT-EMITTION DIODE (R, H.)
LD2	LD2	LIGHT-EMITTION DIODE (ALARM)
LD3	LD3	LIGHT-EMITTION DIODE (RETURN)
LD4	LD4	LIGHT-EMITTION DIODE (SUPPLY)
LD5	LD5	LIGHT-EMITTION DIODE (COMP)
LD6	LD6	LIGHT-EMITTION DIODE (DEFROST)
LD7	LD7	LIGHT-EMITTION DIODE (IN RANGE)
LD8	LD8	LIGHT-EMITTION DIODE (DE-HUMID)
LD9-12	LD9-12	LIGHT-EMITTION DIODE
LSV	LSV	LIQUID SOLENOID VALVE
LPT	LPT	LOW PRESSURE TRANSDUCER
MV	MV	MODULATING VALVE
MTP	MTP	COND. MOTOR THERMAL PROTECTOR
PI, 2	PI, 2	POWER PLUG
PCC1, 2	PCC1, 2	PHASE CORRECTION CONTACTOR
PHC	PHC	PHOTO COUPLER
PPR	PPR	P.C PORT RECEPTACLE
PT	PT	POTENTIAL TRANSFORMER
REC	REC	RECORDER
RM	RM	REMOTE MONITORING RECEPTACLE
RHS	RHS	RECORDER RETURN AIR SENSOR
RSS	RSS	RECORDER SUPPLY AIR SENSOR
RS	RS	RETURN AIR SENSOR
RV1-19	RV1-19	RELAY
SCC1-1, 2	SCC1-1, 2	SHORT CIRCUIT CONNECTOR
SCC2	SCC2	SHORT CIRCUIT CONNECTOR
SS	SS	SUCTION GAS SENSOR
SS	SS	SUPPLY AIR SENSOR

OPTIONAL SPECIFICATION
 UR1-3 USDA RECEPTACLE
 USDA1-3 USDA SENSOR
 EACH MODEL TO EQUIP FOLLOWING OPTIONS,
 • LXE10D-A4 : NO. 1
 • LXE10D-A8 : NIL
 • LXE10D-A14 : NIL

LXE10D-A4, A8, A14

2. Stereoscopic wiring diagram

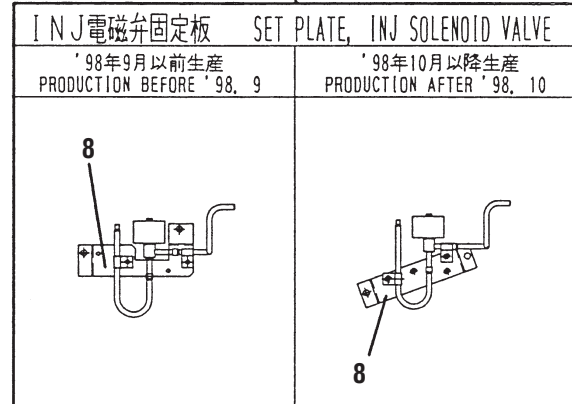
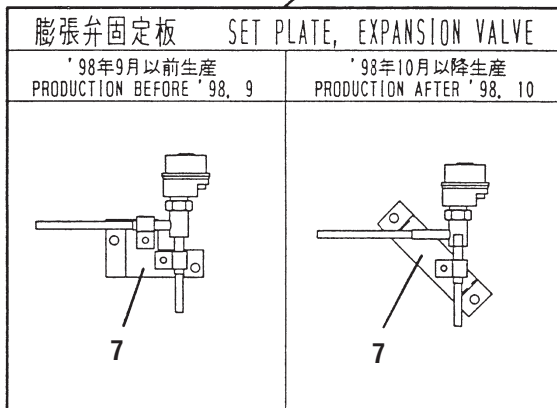
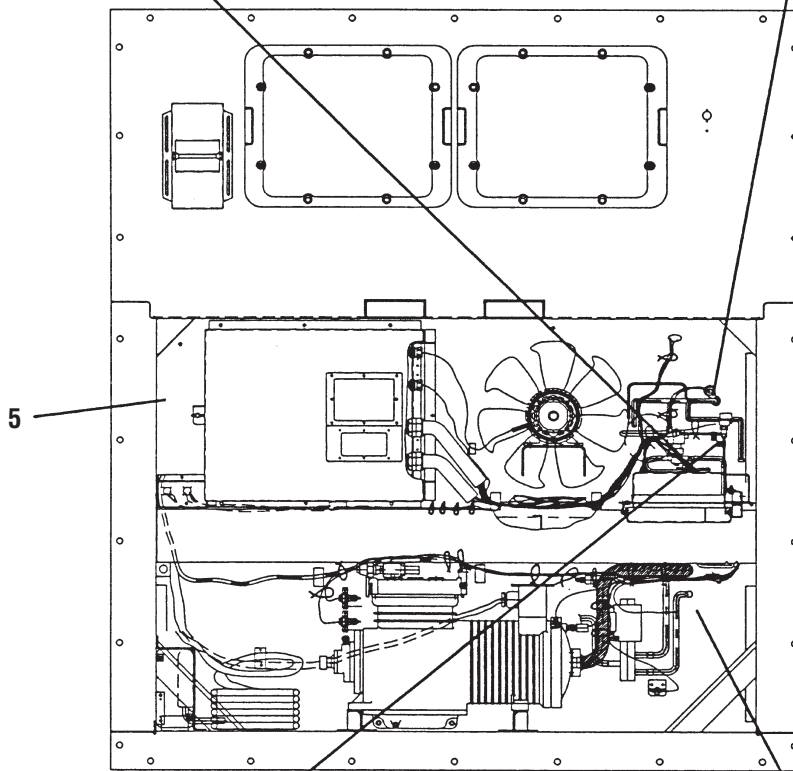
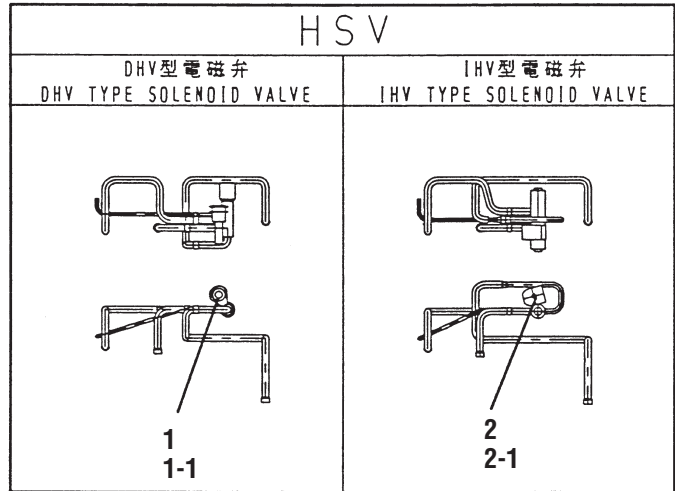
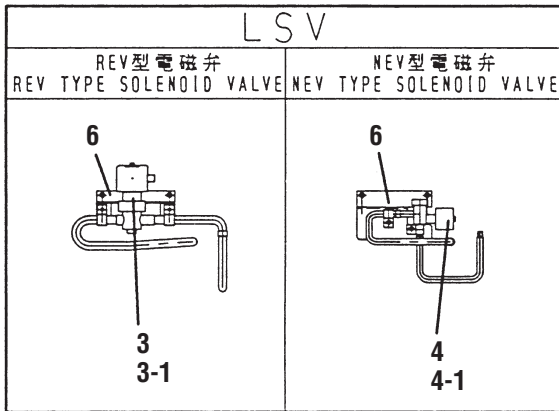
<https://daikin-p.ru>



Chapter for Parts List

(The parts which are different from that of the standard products only are described in this parts list)

The parts which are different from that of the standard model only are described in this manual. Regarding the items which are not described in this manual, refer to Parts List (TR97-11C) as well.



Parts related with the unit (outside) 1
庫外関連部品 1

a:'98年12月以前/Production before '98.12,b:'99年1月以降/Production after '99.1

NO. 符号	PARTS NO. 部品番号	PARTS NAME	部品名称	DWG. NO. 図面番号	TYPE SPECIFICATION 形式仕様	QTY/UNIT 1台当りの所要数		REMARKS 備考
						a	b	
1	0598622	Three way solenoid valve (HSV)	三方電磁弁 (H S V)	3PA11792-4	DHV-804DXF, HSV	1		BODY+COIL
1-1	0598639	Coil, three way solenoid valve	三方電磁弁コイル	3PA11792-4-KA		1		COIL ONLY
2	1074516	IHV type solenoid valve body	I H V 型電磁弁弁体	3SA52051-1	IHV0201, HSV		1	BODY ONLY
2-1	0955287	Solenoid valve coil	電磁弁コイル	3P010453-1			1	COIL ONLY
3	0598684	Refrigerant solenoid valve (LSV)	冷媒用電磁弁 (L S V)	3PA43018-3	REV-1004DXF, LSV	1		BODY+COIL
3-1	0598691	Coil, solenoid valve	電磁弁コイル	3PA43018-3-KA		1		COIL ONLY
4	0944566	NEV type solenoid valve body	N E V 型電磁弁本体	R3305118-1	NEV-803DXF, LSV		1	BODY ONLY
4-1	0955287	Solenoid valve coil	電磁弁コイル	3P010453-1			1	COIL ONLY
5	1201084	C,box front plate	C, B O X 前板 (左)	2P023471-1		1		
5		C,box front plate	C, B O X 前板 (左)	2P026254-1			1	

c:'98年9月以前/Production before '98.9,d:'99年1月以降/Production after '99.1

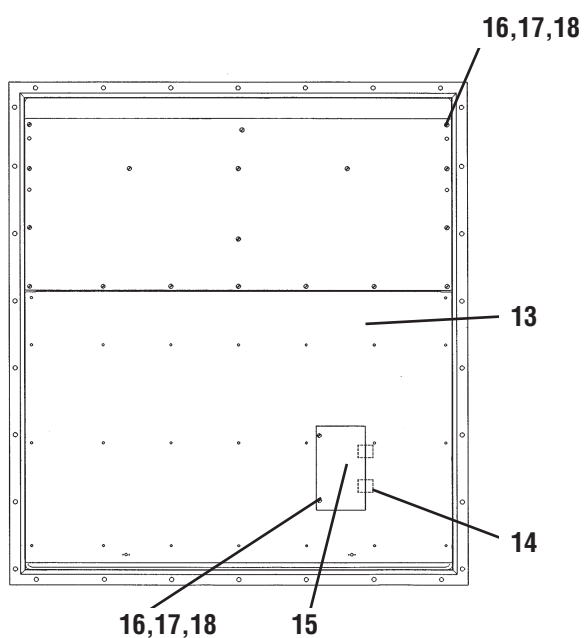
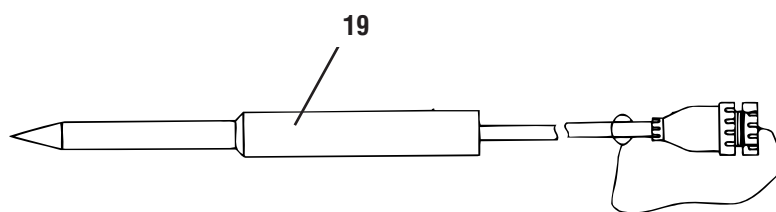
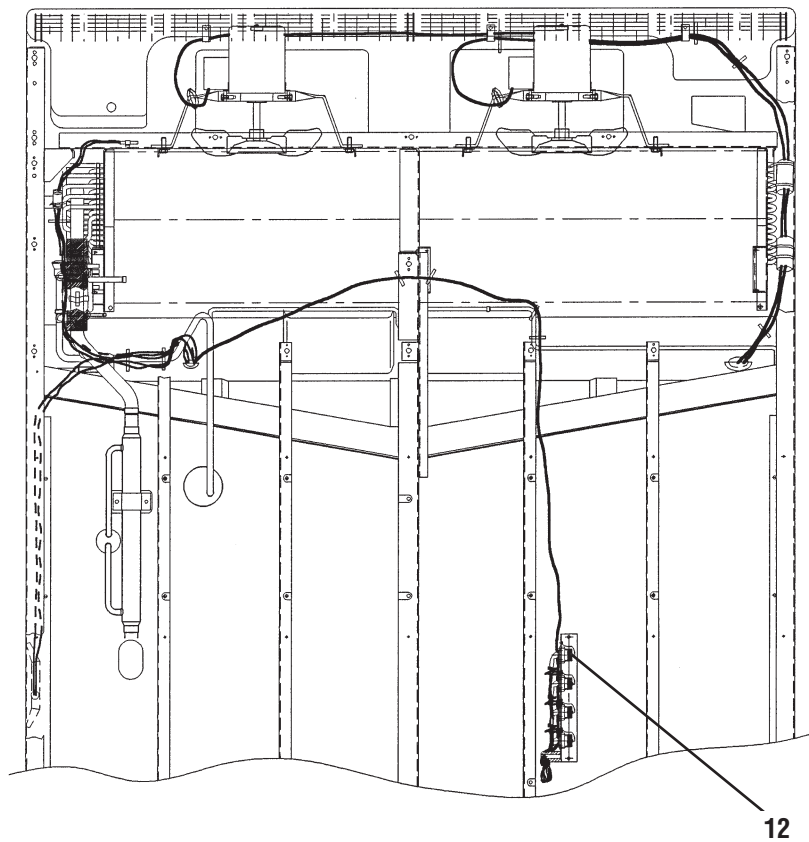
NO. 符号	PARTS NO. 部品番号	PARTS NAME	部品名称	DWG. NO. 図面番号	TYPE SPECIFICATION 形式仕様	QTY/UNIT 1台当りの所要数		REMARKS 備考
						c	d	
6		Set plate, solenoid valve	液電磁弁固定板	4P007021-1		1		
6		Set plate liquid solenoid valve	液電磁弁固定板	4P028110-1			1	

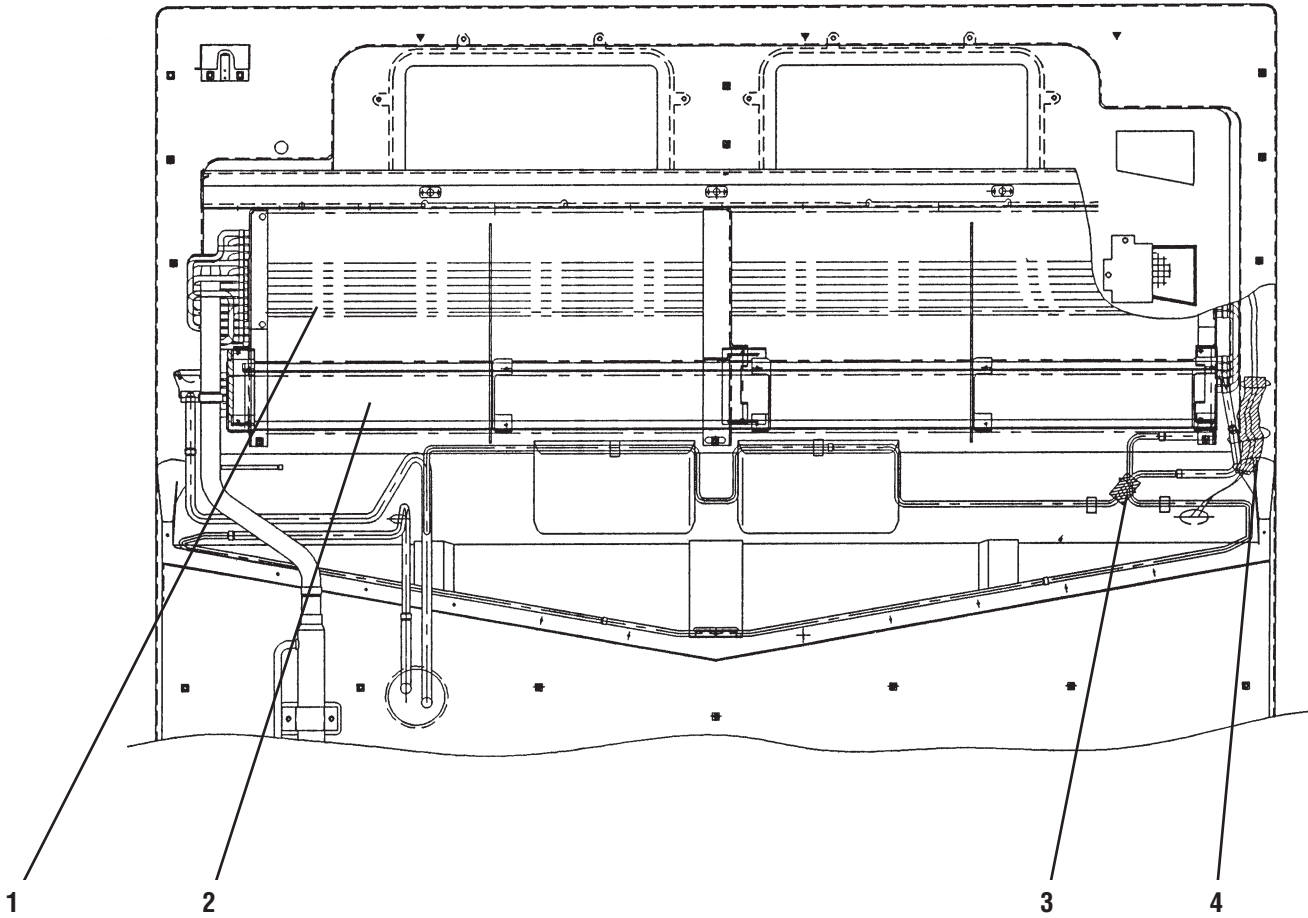
e:'98年10月から'98年12月生産/Production from '98.10 to '98.12

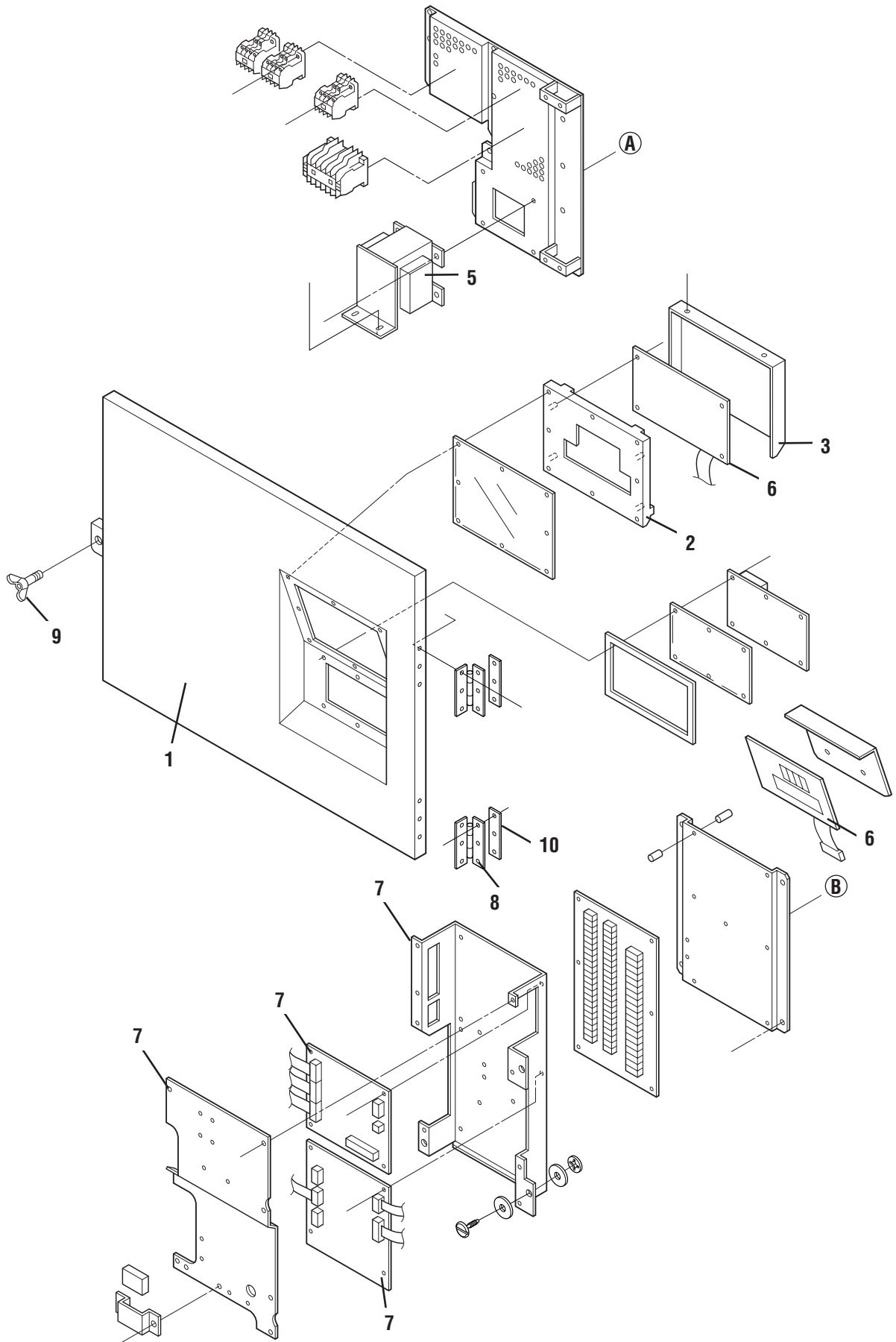
NO. 符号	PARTS NO. 部品番号	PARTS NAME	部品名称	DWG. NO. 図面番号	TYPE SPECIFICATION 形式仕様	QTY/UNIT 1台当りの所要数	REMARKS 備考
						e	
6		Set plate liquid solenoid valve	液電磁弁固定板	4P007021-2		1	

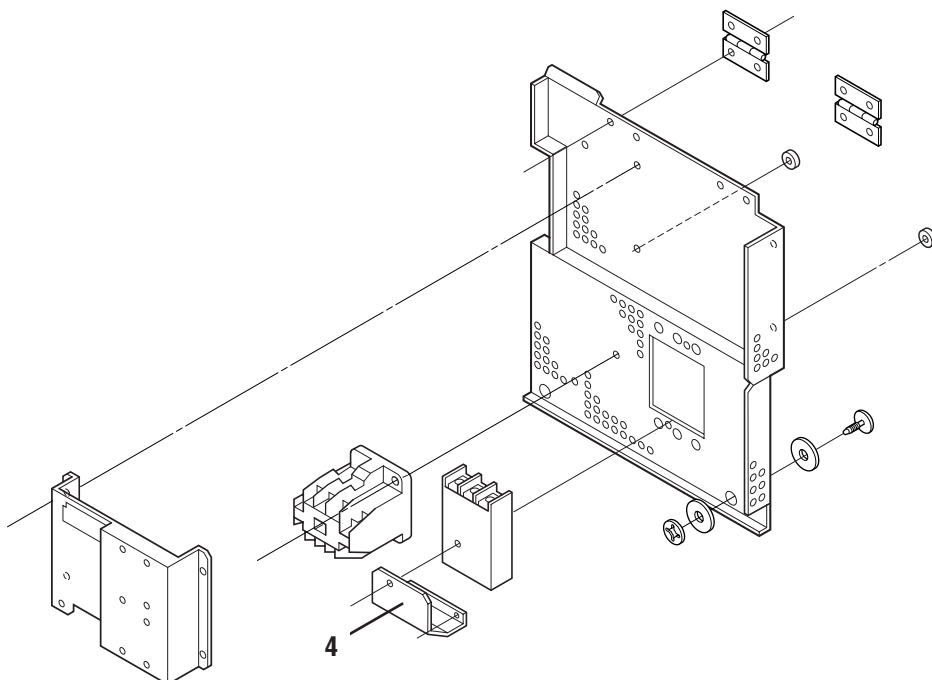
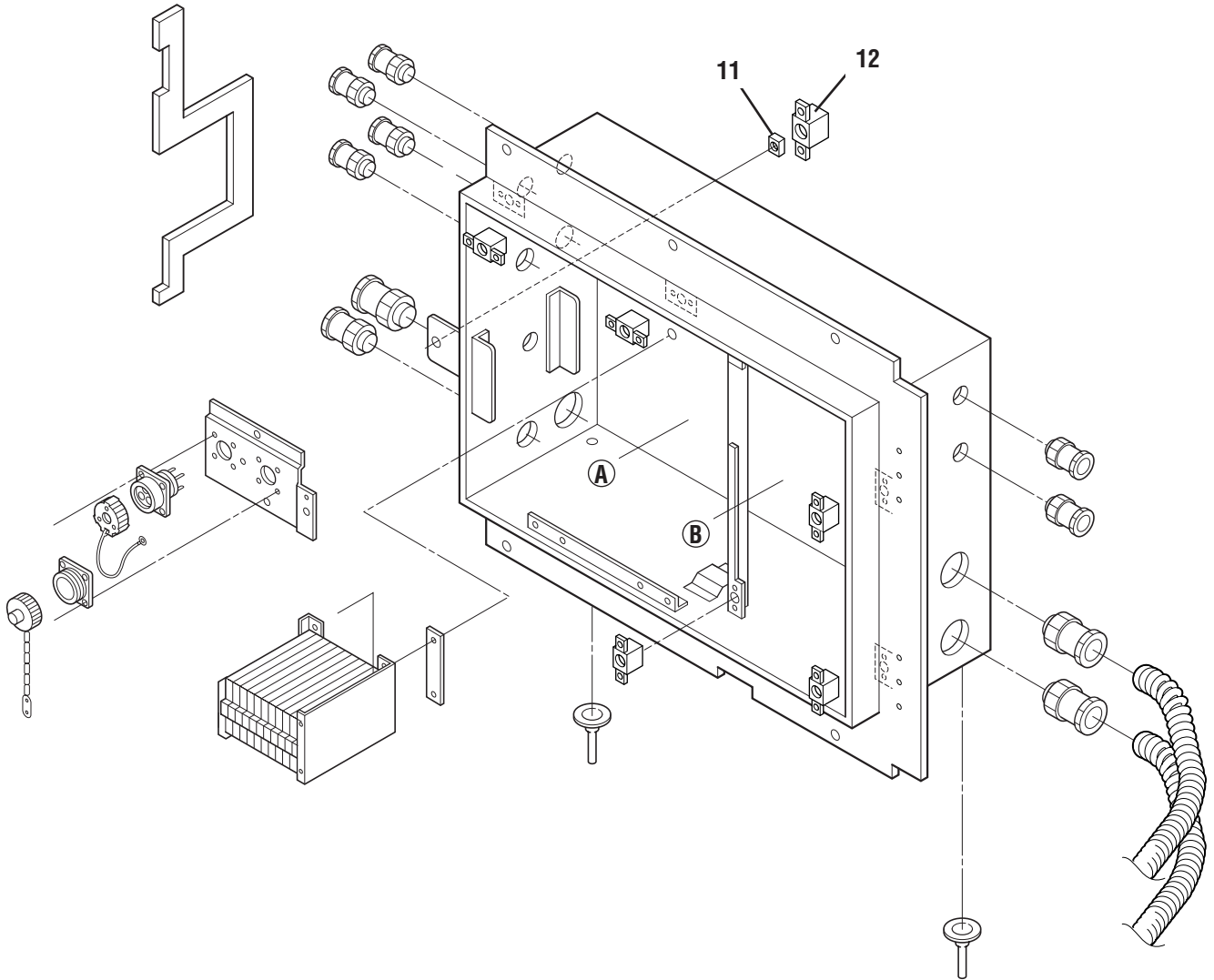
• When ordering the parts whose No. are not shown in the PARTS NO. column, be sure to describe DWG. NO..

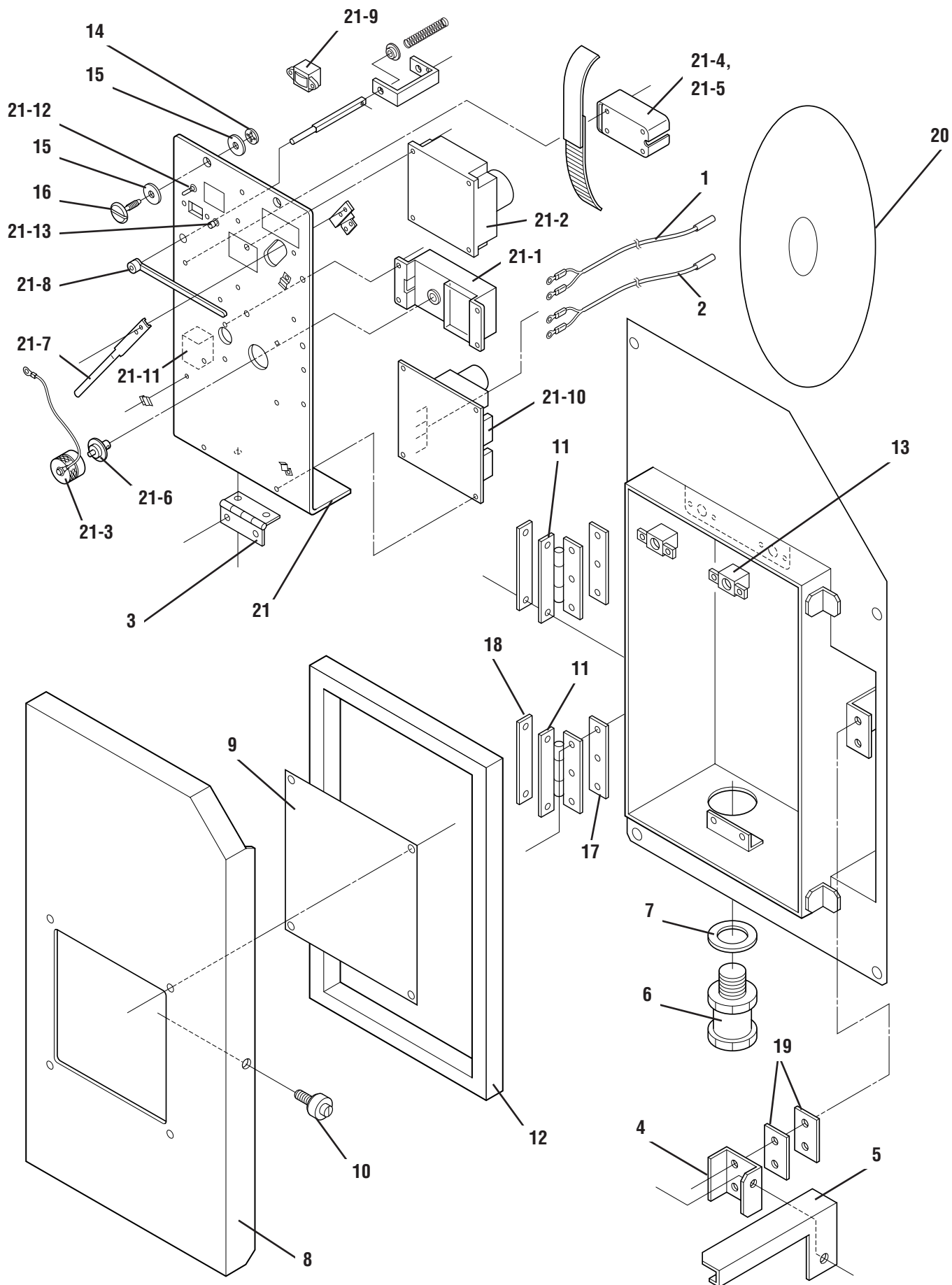
• 部品番号欄が空白になっている部品は、図面番号で、指示願います。
(TR01-13)











Recorder box

レコーダーボックス

a:'98年12月以前/Production before '98.12,b:'99年1月以降/Production after '99.1

NO. 符号	PARTS NO. 部品番号	PARTS NAME	部品名称	DWG. NO. 図面番号	TYPE 形式	SPECIFICATION 仕様	QTY/UNIT 1台当りの所要数		REMARKS 備考
							a	b	
1	0798307	Sensor (RSS)	センサー (RSS)	3PA61769-4	ST9503-4 (Green, Green)		1	1	
2	0798282	Sensor (RRS)	センサー (RRS)	3PA61769-2	ST9503-2 (Blue, Blue)		1	1	
3	351229	Hinge	平蝶番	R4717632-1			1	1	
4	1273445	Fixing plate, quick lock lever	ワンタッチ金具取付板	4P006369-1			1	1	
5	1273438	Quick lock lever	ワンタッチ金具	4P006358-1			1	1	
6	0966294	Cable gland	電線グラウンド	3PA37599-12	SCL-30B		1		
6	0773771	Cable gland	電線グラウンド	3PA37599-10	SCL-22B			1	
7	1270042	Rubber bush	ゴムブッシュ	4P006438-1			1		
7	1267844	Grand rubber bush	グラウンドゴムブッシュ	4P032156-1				1	
8	0991562	Cover (recorder)	蓋 (レコーダ)	3P005880-1			1	1	
9	1183511	Access window	点検窓	4P005883-1			1	1	
10	0907093	Roller, quick lock lever	ワンタッチ金具用ローラ	4PA51277-1			1	1	
11	351228	Hinge, cover	蓋締付蝶番	R4718767-1			2	2	
12	1211175	Packing (cover)	パッキン (蓋)	4P006431-1			1	1	
13	860015	Universal nut	自在ナット	R4713188-1			2	2	
14	840002	Drop out prevention washer	脱落防止座金	R4718607-6			2	2	
15	860005	Washer, speed bolt	スピードボルト用座金	R4713334			4	4	
16	860011	Speed bolt	スピードボルト	R4714824-1			2	2	
17	874014	Patch plate nut	当板ナット	R3715992-33			2	2	
18	847011	Patch plate nut	当板ナット	R3715992-32			2	2	
19	0907101	Spacer	スペーサ	4PA51278-1			2	2	
20	0581213	Recording chart	記録紙	3PA43798-1			5	5	

• When ordering the parts whose No. are not shown in the PARTS NO. column, be sure to describe DWG. NO..

• 部品番号欄が空白になっている部品は、図面番号で、指示願います。
(TR01-13)

