

<https://daikin-p.ru>

DAIKIN



DAIKIN

Marine type

Container Refrigeration Unit

Service Manual · Parts List

Optional Functions

Model

LXE10D-A6

DAIKIN INDUSTRIES, LTD.

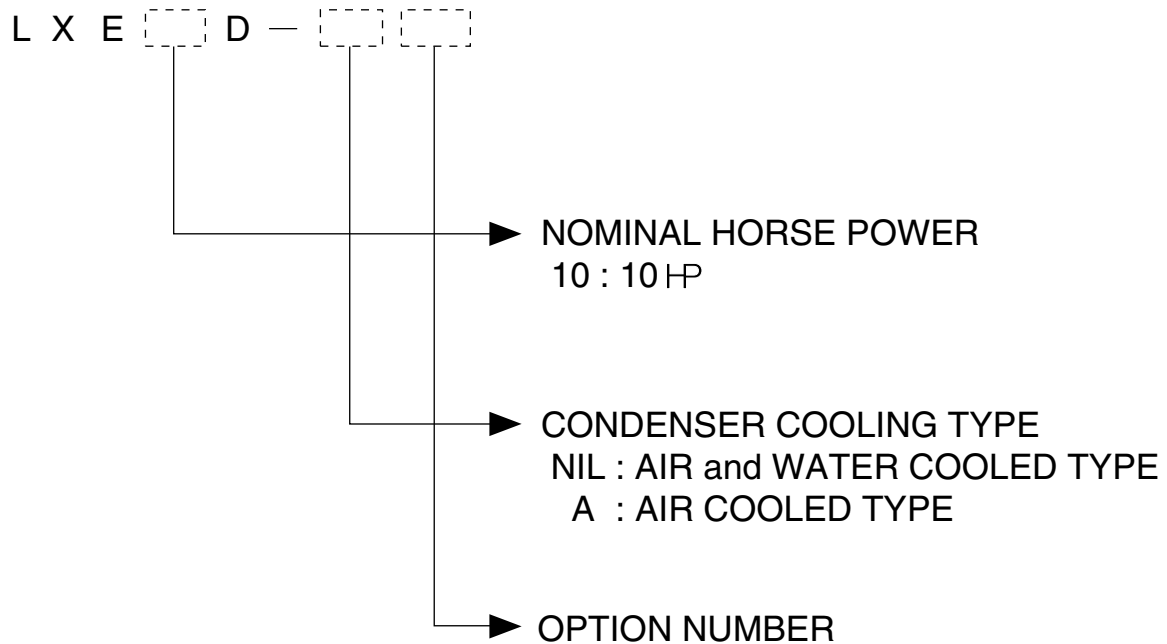
TR01-15

This manual describes only the items different from those of the standard machine.

For the items not described in this manual, refer to the following document.

- Service Guide, Services
- Service Manual (Operation)
- Parts List
- Operation Manual of Personal Computer Software
- Compressor Dismantling and Assembly Manual

Denomination of Model Name



Note) "R" GIVEN AFTER OPTION NUMBER STANDS FOR "REVISION" AND IT IS GIVEN FOR THE UNIT WHICH IS SPECIALLY MODIFIED.

CONTENTS

| | |
|---|----------|
| Chapter for operation and service work | 3 |
| 1. Schematic wiring diagram | 5 |
| 2. Stereoscopic wiring diagram | 6 |
| Chapter for Parts List | 7 |

<https://daikin-p.ru>

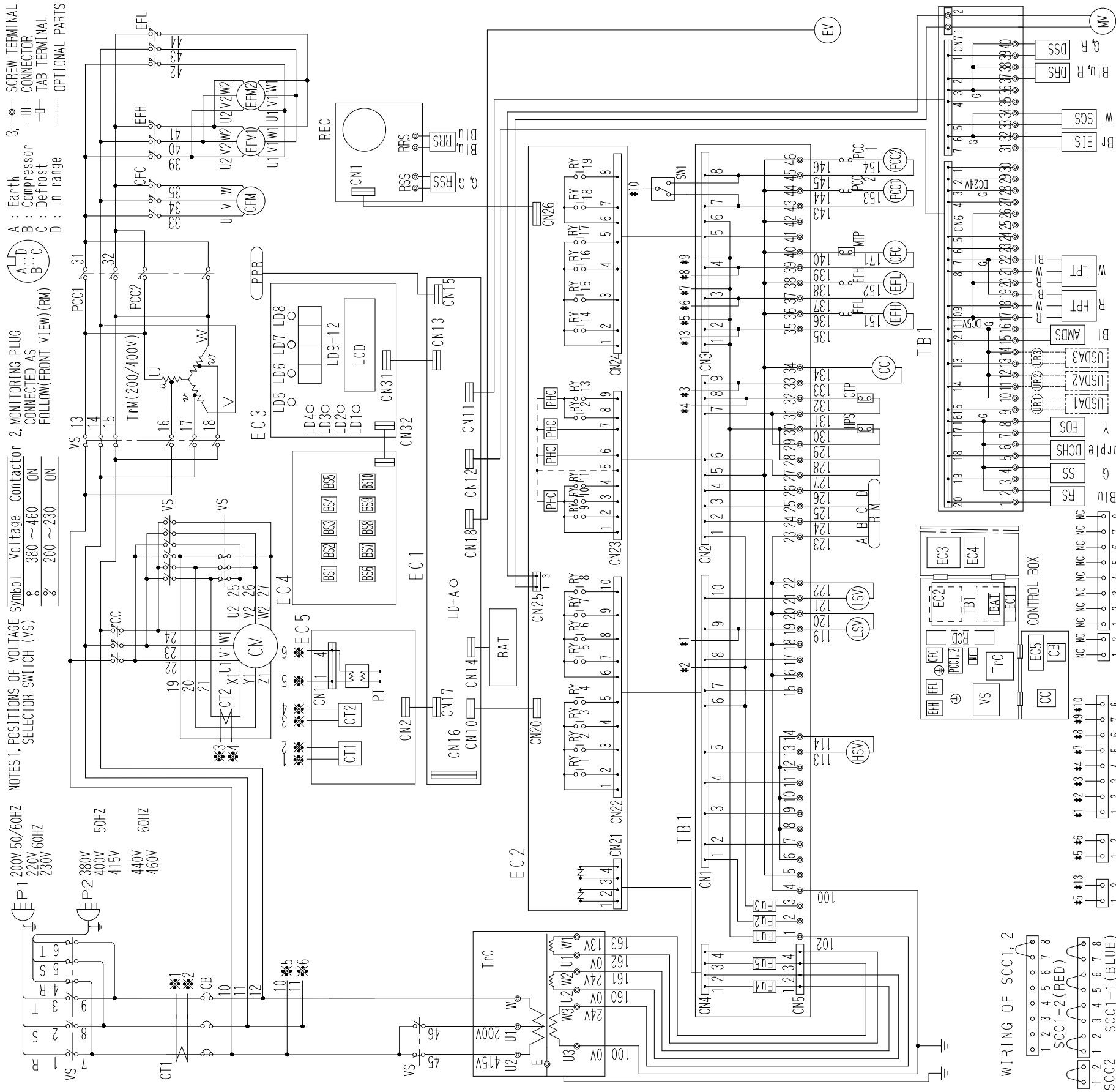
Chapter for operation and service work

(The items which are different from that of the standard products only are described in this manual)

<https://daikin-p.ru>

1. Schematic wiring diagram

CONTAINER REFRIGERATION UNIT WIRING DIAGRAM



注意1, 操作回路 (線番号100以降) 及び, リモートコミュニケーションデバイスには絶縁試験を行なぬこと。
CAUTION1. DO NOT APPLY INSULATION TEST ON THE CIRCUIT (ON WIRE NO.100 AND THE REMOTE COMMUNICATION DEVICE.)

WIRING OF SCC1, 2

SCC1-2 (RED)

SCC2 SCC1-1 (BLUE)

NORMAL POSITION

- SCC1-1: CN11
- SCC1-2: NOT CONNECTED
- SCC2: CN12

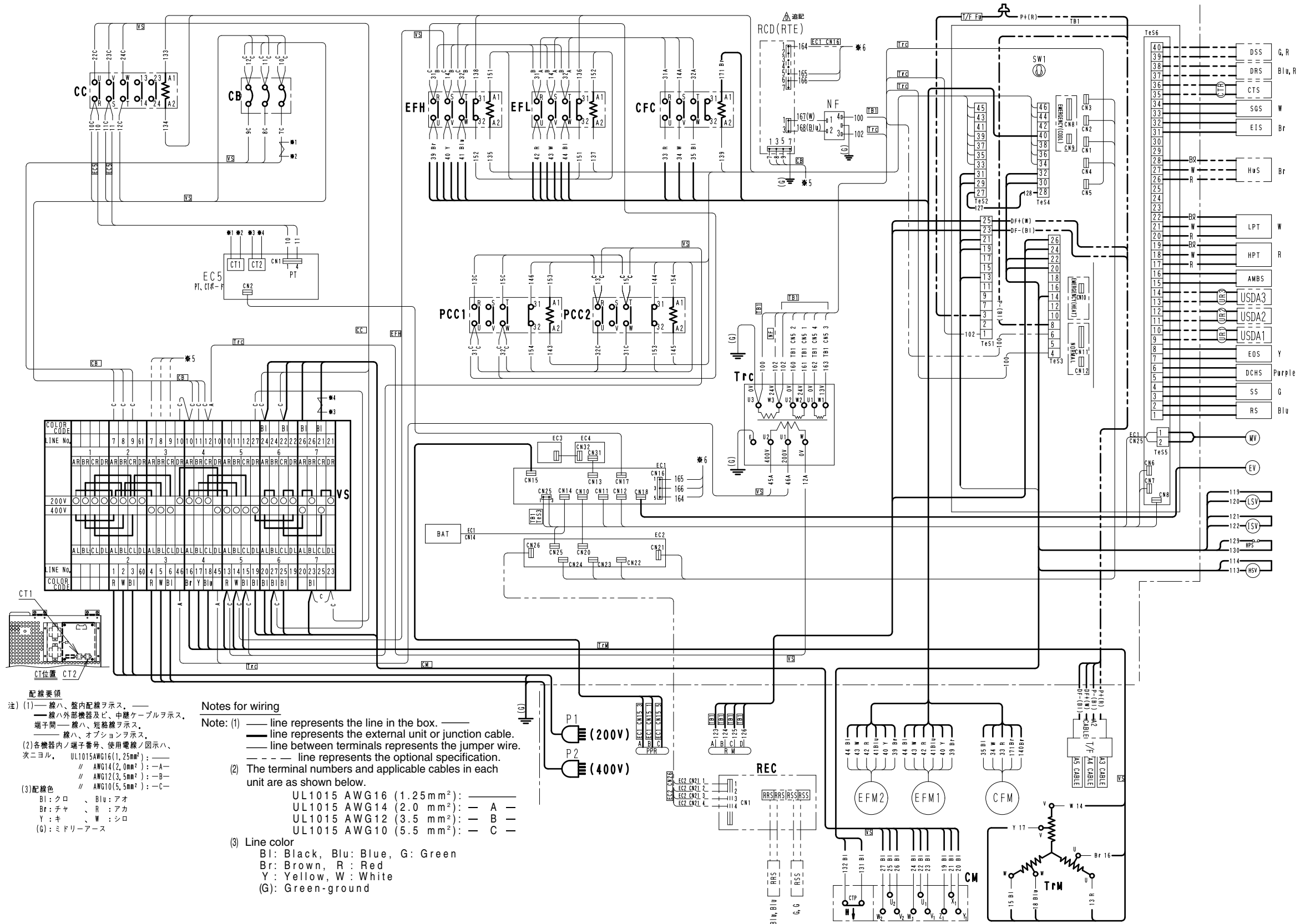
| AMBS | AMBIENT TEMP. SENSOR | EFM1, 2 | EVAPORATOR FAN MOTOR | LSV | LIQUID SOLENOID VALVE | TB1, 2 | TERMINAL BOARD |
|--------|-------------------------------------|---------|---------------------------------|------------|-------------------------------|---------|--|
| BAT | BATTERY | EIS | EVAPORATOR INLET SENSOR | LPT | LOW PRESSURE TRANSDUCER | TrC | CONTROL TRANSFORMER |
| BS1-10 | PUSH BUTTON SWITCH | EOS | EVAPORATOR OUTLET SENSOR | MV | MODULATING VALVE | TrM | MAIN TRANSFORMER |
| CB | CIRCUIT BREAKER (50A) | EV | ELECTRONIC EXPANSION VALVE | MTP | COND. MOTOR THERMAL PROTECTOR | VS | VOLTAGE SELECTOR |
| CC | COMPRESSOR CONTACTOR | Fu1-5 | FUSE (250V, 10A) | Pt. 2 | POWER PLUG | | OPTIONAL SPECIFICATION |
| CFC | CONDENSER FAN CONTACTOR | HPS | HIGH PRESSURE SWITCH | PCCT1, 2 | PHASE CORRECTION CONTACTOR | URI-3 | USDA RECEPTACLE |
| CFM | CONDENSER FAN MOTOR | HPT | HIGH PRESSURE TRANSDUCER | PHC | PHOTO COUPLER | USDA1-3 | USDA SENSOR |
| CM | COMPRESSOR MOTOR | HSV | HOT GAS SOLENOID VALVE | PPR | P.C. PORT RECEPTACLE | | |
| CT1, 2 | CURRENT TRANSFORMER | ISV | INJECTION SOLENOID VALVE | PT | POTENTIAL TRANSFORMER | | |
| CTP | COMPRESSOR THERMAL PROTECTOR | LCD | LIQUID CRYSTAL DISPLAY | REC | RECORDER | | |
| DCHS | COMPRESSOR DISCHARGE SENSOR | LD-A | SERVICE MONITOR-GREEN | RM | REMOTE MONITORING RECEPTACLE | | OPTIONAL ITEM NO. |
| DRS | DATA RECORDER RETURN AIR SENSOR | LD1 | LIGHT-EMITTION DIODE (R. H.) | RRS | RECORDER RETURN AIR SENSOR | | EACH MODEL TO EQUIP FOLLOWING OPTIONS. |
| DSS | DATA RECORDER SUPPLY AIR SENSOR | LD2 | LIGHT-EMITTION DIODE (ALARM) | RSS | RECORDER SUPPLY AIR SENSOR | | • LXE10D-A5 : NO.1 |
| EC1 | CPU BOARD (DECOS) | LD3 | LIGHT-EMITTION DIODE (RETURN) | RS | RETURN AIR SENSOR | | • LXE10D-A6 : NIL |
| EC2 | I/O BOARD (DECOS) | LD4 | LIGHT-EMITTION DIODE (SUPPLY) | RY1-19 | RELAY | | • LXE10D-A9 : NIL |
| EC3 | DISPLAY BOARD (DECOS) | LD5 | LIGHT-EMITTION DIODE (COMP) | SCCT1-1, 2 | SHORT CIRCUIT CONNECTOR | | • LXE10D-A11: NIL |
| EC4 | SHEET KEY (DECOS) | LD6 | LIGHT-EMITTION DIODE (DEFROST) | SCC2 | SHORT CIRCUIT CONNECTOR | | • LXE10D-A12: NIL |
| EC5 | PRINTED CIRCUIT BOARD (PT, CT) | LD7 | LIGHT-EMITTION DIODE (IN RANGE) | SGS | SUCTION GAS SENSOR | | |
| EFH | HIGH SPEED EVAPORATOR FAN CONTACTOR | LD8 | LIGHT-EMITTION DIODE (DE-HUMID) | SS | SUPPLY AIR SENSOR | | |
| EFL | LOW SPEED EVAPORATOR FAN CONTACTOR | LD9-12 | LIGHT-EMITTION DIODE | SWI | PHASE CORRECTION SWITCH | | |

2D008370A

LXE10D-A5, A6, A9, A11, A12

2. Stereoscopic wiring diagram

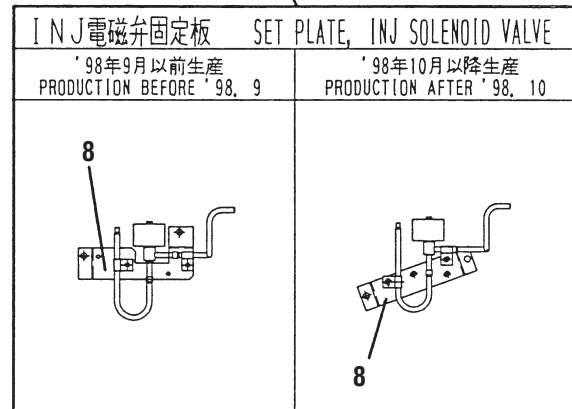
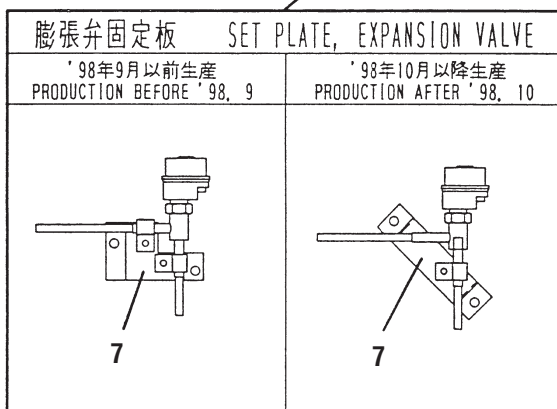
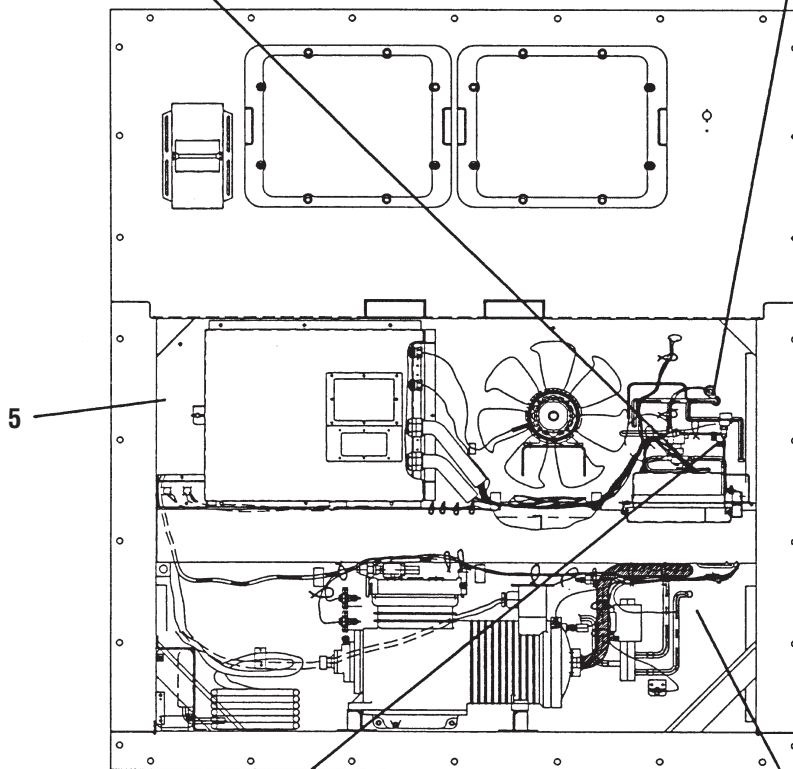
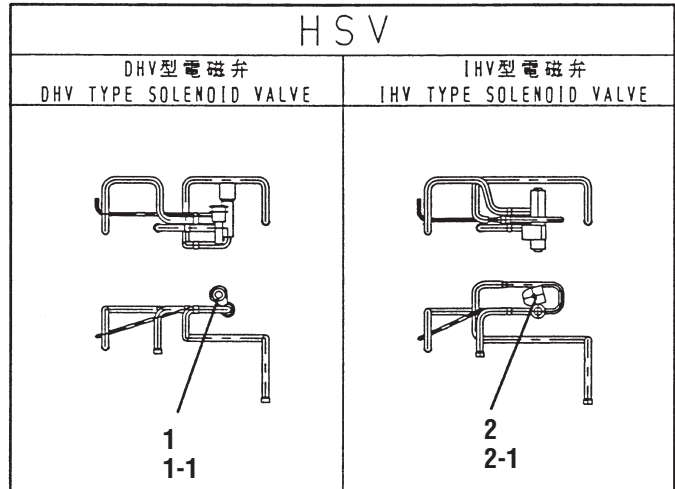
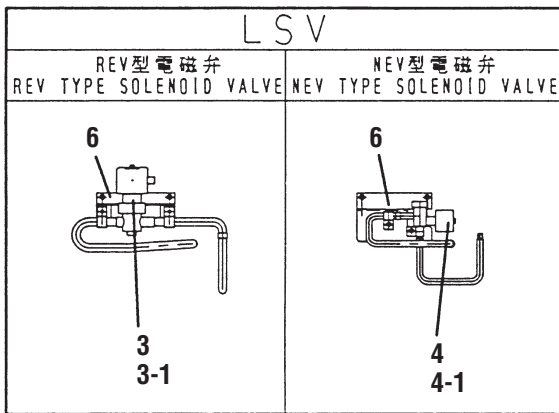
<https://daikin-p.ru>



Chapter for Parts List

(The parts which are different from that of the standard products only are described in this parts list)

The parts which are different from that of the standard model only are described in this manual. Regarding the items which are not described in this manual, refer to Parts List (TR97-11C) as well.



Parts related with the unit (outside) 1
庫外関連部品 1

a:'98年12月以前/Production before '98.12,b:'99年1月以降/Production after '99.1

| NO. 符号 | PARTS NO. 部品番号 | PARTS NAME | 部品名称 | DWG. NO. 図面番号 | TYPE SPECIFICATION 形式仕様 | QTY/UNIT 1台当りの所要数 | | REMARKS 備考 |
|-----------|-------------------|----------------------------------|-----------------|------------------|----------------------------|----------------------|---|---------------|
| | | | | | | a | b | |
| 1 | 0598622 | Three way solenoid valve (HSV) | 三方電磁弁 (H S V) | 3PA11792-4 | DHV-804DXF, HSV | 1 | | BODY+COIL |
| 1-1 | 0598639 | Coil, three way solenoid valve | 三方電磁弁コイル | 3PA11792-4-KA | | 1 | | COIL ONLY |
| 2 | 1074516 | IHV type solenoid valve body | I H V 型電磁弁弁体 | 3SA52051-1 | IHV0201, HSV | | 1 | BODY ONLY |
| 2-1 | 0955287 | Solenoid valve coil | 電磁弁コイル | 3P010453-1 | | | 1 | COIL ONLY |
| 3 | 0598684 | Refrigerant solenoid valve (LSV) | 冷媒用電磁弁 (L S V) | 3PA43018-3 | REV-1004DXF, LSV | 1 | | BODY+COIL |
| 3-1 | 0598691 | Coil, solenoid valve | 電磁弁コイル | 3PA43018-3-KA | | 1 | | COIL ONLY |
| 4 | 0944566 | NEV type solenoid valve body | N E V 型電磁弁本体 | R3305118-1 | NEV-803DXF, LSV | | 1 | BODY ONLY |
| 4-1 | 0955287 | Solenoid valve coil | 電磁弁コイル | 3P010453-1 | | | 1 | COIL ONLY |
| 5 | 1201084 | C,box front plate | C, B O X 前板 (左) | 2P023471-1 | | 1 | | |
| 5 | | C,box front plate | C, B O X 前板 (左) | 2P026254-1 | | | 1 | |
| | | | | | | | | |
| | | | | | | | | |

c:'98年9月以前/Production before '98.9,d:'99年1月以降/Production after '99.1

| NO. 符号 | PARTS NO. 部品番号 | PARTS NAME | 部品名称 | DWG. NO. 図面番号 | TYPE SPECIFICATION 形式仕様 | QTY/UNIT 1台当りの所要数 | | REMARKS 備考 |
|-----------|-------------------|---------------------------------|---------|------------------|----------------------------|----------------------|---|---------------|
| | | | | | | c | d | |
| 6 | | Set plate, solenoid valve | 液電磁弁固定板 | 4P007021-1 | | 1 | | |
| 6 | | Set plate liquid solenoid valve | 液電磁弁固定板 | 4P028110-1 | | | 1 | |
| | | | | | | | | |
| | | | | | | | | |

e:'98年10月から'98年12月生産/Production from '98.10 to '98.12

| NO. 符号 | PARTS NO. 部品番号 | PARTS NAME | 部品名称 | DWG. NO. 図面番号 | TYPE SPECIFICATION 形式仕様 | QTY/UNIT 1台当りの所要数 | REMARKS 備考 |
|-----------|-------------------|---------------------------------|---------|------------------|----------------------------|----------------------|---------------|
| | | | | | | e | |
| 6 | | Set plate liquid solenoid valve | 液電磁弁固定板 | 4P007021-2 | | 1 | |
| | | | | | | | |
| | | | | | | | |

• When ordering the parts whose No. are not shown in the PARTS NO. column, be sure to describe DWG. NO..

• 部品番号欄が空白になっている部品は、図面番号で、指示願います。
(TR01-15)

Parts related with the unit (outside) 1

庫外関連部品 1

f:'98年 9 月以前 / Production before '98.9.g:'98年10月以降 / Production after '98.10

| NO. 符号 | PARTS NO. 部品番号 | PARTS NAME | 部 品 名 称 | DWG. NO. 図面番号 | TYPE 形 式 | SPECIFICATION 仕 様 | QTY/UNIT 1台当りの所要数 | | REMARKS 備 考 |
|-----------|-------------------|--------------------------------|--------------|------------------|-------------|----------------------|----------------------|---|----------------|
| | | | | | | | f | g | |
| 7 | | Set plate, solenoid valve | 膨張弁固定板 | 4P011328-1 | | | 1 | | |
| 7 | | Set plate, expansion valve | 膨張弁固定板 | 4P011328-2 | | | | 1 | |
| 8 | | Set plate, INJ expansion valve | I N J 電磁弁固定板 | 4P000395-1 | | | 1 | | |
| 8 | | Set plate, INJ solenoid valve | I N J 電磁弁固定板 | 4P000395-2 | | | | 1 | |
| | | | | | | | | | |
| | | | | | | | | | |
| | | | | | | | | | |
| | | | | | | | | | |
| | | | | | | | | | |
| | | | | | | | | | |
| | | | | | | | | | |
| | | | | | | | | | |
| | | | | | | | | | |
| | | | | | | | | | |
| | | | | | | | | | |
| | | | | | | | | | |
| | | | | | | | | | |
| | | | | | | | | | |
| | | | | | | | | | |
| | | | | | | | | | |
| | | | | | | | | | |
| | | | | | | | | | |
| | | | | | | | | | |
| | | | | | | | | | |

• When ordering the parts whose No. are not shown in the PARTS NO. column, be sure to describe DWG. NO..

• 部品番号欄が空白になっている部品は、図面番号で、指示願います。
(TR01-15)

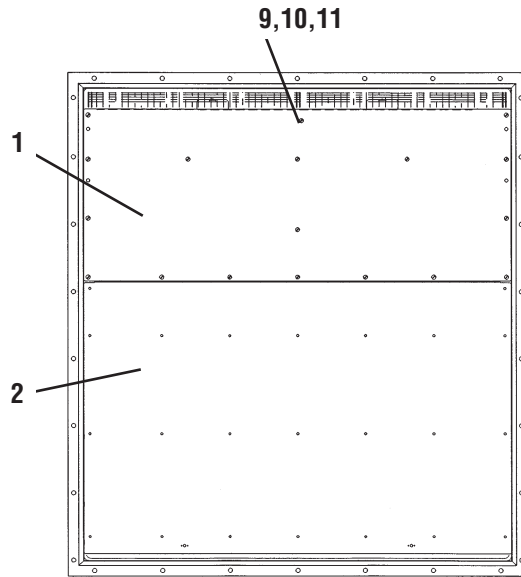
Parts related with the unit (outside) 1

庫外関連部品 1

| NO. 符号 | PARTS NO. 部品番号 | PARTS NAME | 部品名称 | DWG. NO. 図面番号 | TYPE 形式 | SPECIFICATION 仕様 | QTY/UNIT 1台当りの所要数 | REMARKS 備考 |
|-----------|-------------------|------------|------|------------------|------------|---------------------|----------------------|---------------|
| | | | | | | | | |
| | | | | | | | | |
| | | | | | | | | |
| | | | | | | | | |
| | | | | | | | | |
| | | | | | | | | |
| | | | | | | | | |
| | | | | | | | | |
| | | | | | | | | |
| | | | | | | | | |
| | | | | | | | | |
| | | | | | | | | |
| | | | | | | | | |
| | | | | | | | | |
| | | | | | | | | |
| | | | | | | | | |
| | | | | | | | | |
| | | | | | | | | |
| | | | | | | | | |
| | | | | | | | | |
| | | | | | | | | |
| | | | | | | | | |
| | | | | | | | | |
| | | | | | | | | |
| | | | | | | | | |
| | | | | | | | | |
| | | | | | | | | |

• When ordering the parts whose No. are not shown in the PARTS NO. column, be sure to describe DWG. NO..

• 部品番号欄が空白になっている部品は、図面番号で、指示願います。
(TR01-15)



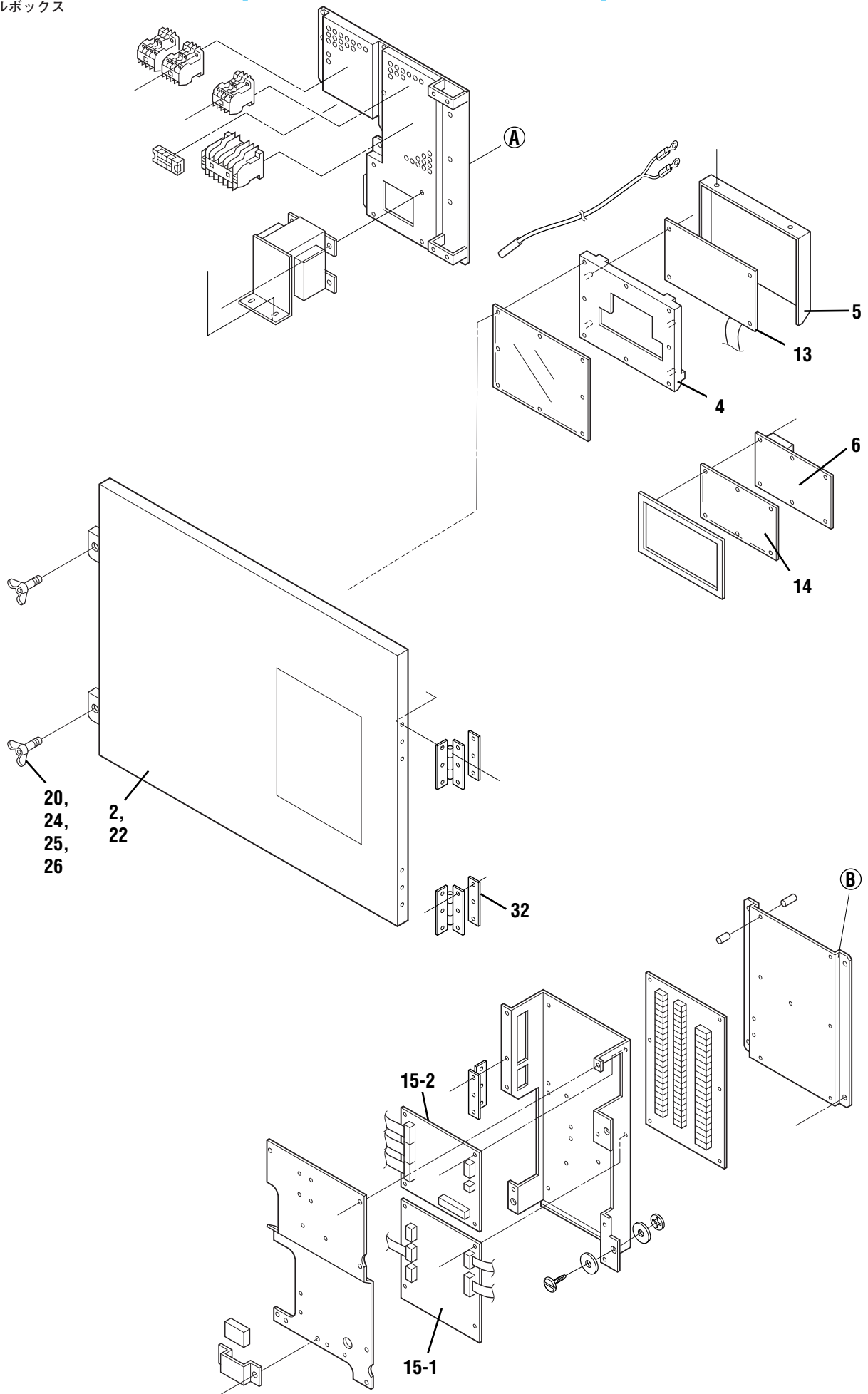
Parts related with the unit (inside) 1

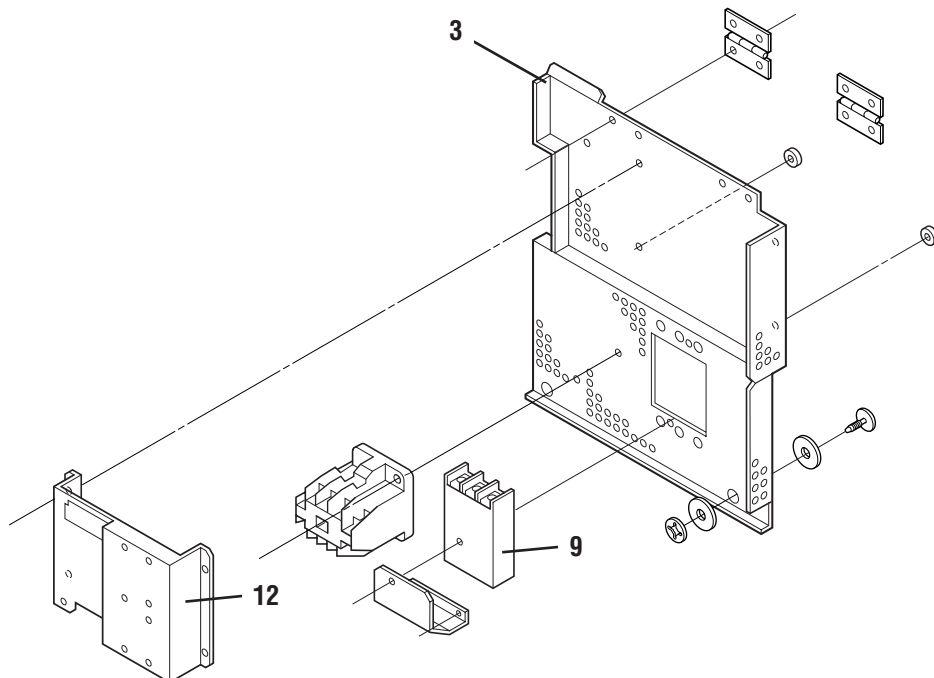
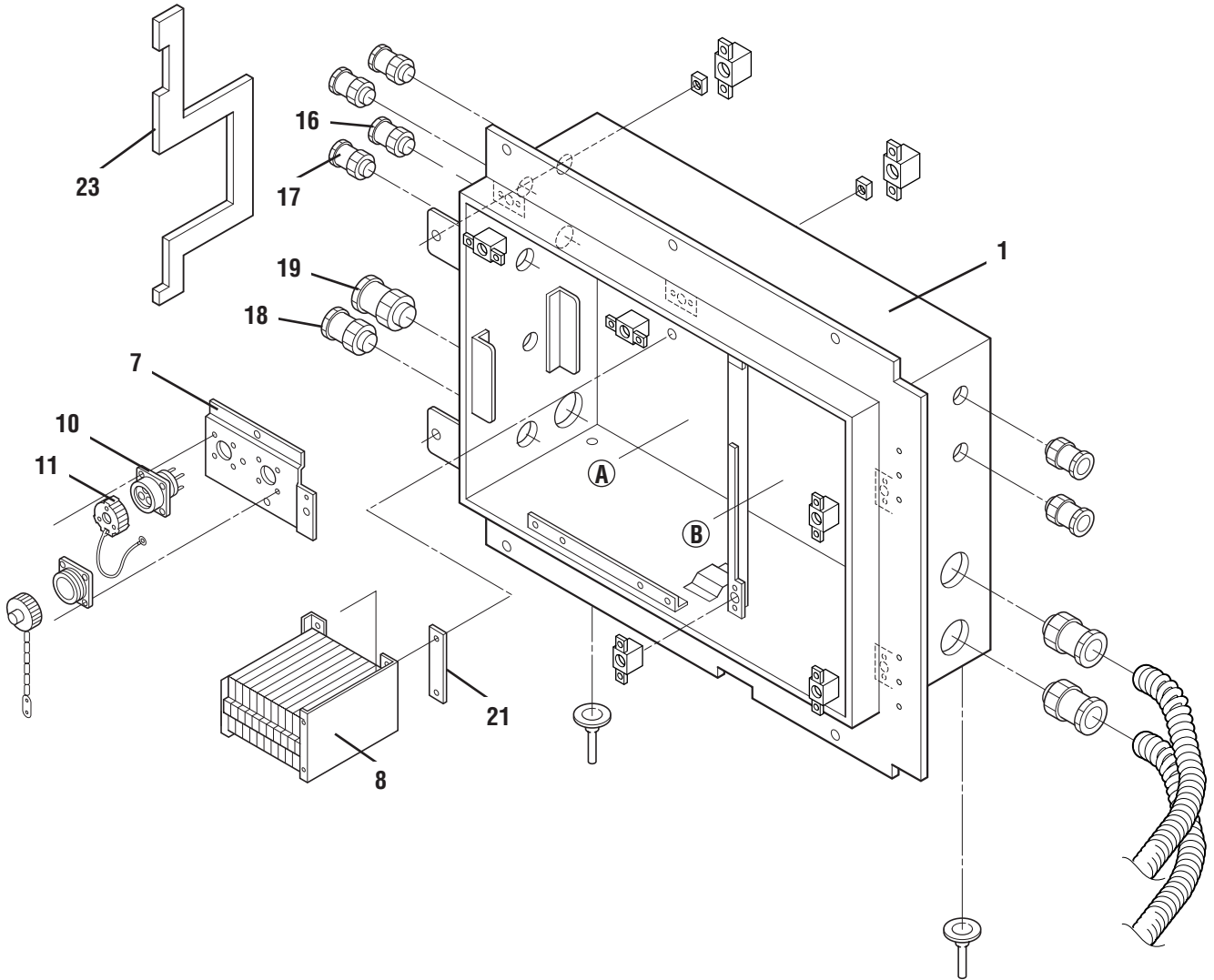
庫内関連部品 1

| NO. 符号 | PARTS NO. 部品番号 | PARTS NAME | 部 品 名 称 | DWG. NO. 図面番号 | TYPE 形式 | SPECIFICATION 仕様 | QTY/UNIT 1台当りの所要数 | REMARKS 備 考 |
|-----------|-------------------|----------------------------|------------|------------------|------------|---------------------|----------------------|----------------|
| 1 | 1201060 | Rear plate (upper) | 裏板 (上) | 2P011280-1 | t = 2.0 | | 1 | |
| 2 | 1269996 | Rear plate (lower) | 裏板 (下) | 2P011292-2 | t = 2.0 | | 1 | |
| 9 | 860030S | Speed bolt | スピードボルト | R4714824-2 | | | 18 | |
| 10 | 860005 | Washer, speed bolt | スピードボルト用座金 | R4713334 | | | 36 | |
| 11 | 840002 | Drop out prevention washer | 脱落防止座金 | R4718607-6 | | | 18 | |
| | | | | | | | | |
| | | | | | | | | |
| | | | | | | | | |
| | | | | | | | | |
| | | | | | | | | |
| | | | | | | | | |
| | | | | | | | | |
| | | | | | | | | |
| | | | | | | | | |
| | | | | | | | | |
| | | | | | | | | |
| | | | | | | | | |
| | | | | | | | | |
| | | | | | | | | |
| | | | | | | | | |
| | | | | | | | | |
| | | | | | | | | |
| | | | | | | | | |
| | | | | | | | | |
| | | | | | | | | |
| | | | | | | | | |
| | | | | | | | | |
| | | | | | | | | |

• When ordering the parts whose No. are not shown in the PARTS NO. column, be sure to describe DWG. NO..

• 部品番号欄が空白になっている部品は、図面番号で、指示願います。
(TR01-15)





Control box
 コントロールボックス

| NO. 符号 | PARTS NO. 部品番号 | PARTS NAME 部品名称 | DWG. NO. 図面番号 | TYPE 形式 | SPECIFICATION 仕様 | QTY/UNIT 1台当りの所要数 | REMARKS 備考 |
|-----------|-------------------|---------------------------------|-------------------|-------------|---------------------|----------------------|---------------|
| 1 | | C.box welding ass'y | C. BOX溶接組立品 | 2P003754-1 | | 1 | |
| 2 | 0991555 | Control box cover welding ass'y | コントロールボックス蓋溶接組立品 | 3P003505-1 | | 1 | |
| 3 | | Set plate, control devices (2) | 機器取付板 (2) | 2P010019-1 | | 1 | |
| 4 | 1142154 | Plate, label | 銘板張付用板 | 3P003753-1 | | 1 | |
| 5 | 1140165 | Cover, display board | 表示基板用カバー | 3P005734-1 | | 1 | |
| 6 | | Fixing plate,sheet key | 取付板 (シートキー) | 4P00354-1 | | 1 | |
| 7 | | Fixing plate, PC port | パソコンレセプタクル固定板 | 4P009422-1 | | 1 | |
| 8 | 634017 | Cam switch (VS) | カムスイッチ (VS) | R3421041-3 | 7P-3CL | 1 | |
| 9 | 0344971 | Circuit breaker (CB) | ノーフェーズブレーカ (CB) | 3PA37567-1 | 50A EA53B | 1 | |
| 10 | 0991531 | PC port connector | パソコンポートコネクタ | 3P010803-1 | | 1 | |
| 11 | 1270011 | Personal computer port cover | パソコンポートカバー | 3P010805-1 | | 1 | |
| 12 | 0980788 | PT/CT board | P T / C T ボード | 2P010906-1 | | 1 | |
| 13 | 1010815 | Display board | 表示基板 | 2P010368-2 | EC9755-2 | 1 | |
| 15 | 0983383 | Controller ass'y | コントローラ組立品 | 3P015006-1 | | 1 | |
| 15-1 | 0954587 | CPU board | C P U ボード | 2P010365-1 | | 1 | |
| 15-2 | 0954594 | I/O board | I / O ボード | 2P010367-1 | | 1 | |
| 16 | 0758657 | Cable gland | 電線グラウンド | 3PA37599-7 | SCL-18A ケーブルコネクタ | 1 | |
| 17 | 0758633 | Cable gland | 電線グラウンド | 3PA37599-8 | SCL-18B ケーブルコネクタ | 1 | |
| 18 | 0965556 | Cable gland | 電線グラウンド | 3PA37599-9 | SCL-22A ケーブルコネクタ | 1 | |
| 19 | 0966294 | Cable gland | 電線グラウンド | 3PA37599-12 | SCL-30B ケーブルコネクタ | 1 | |
| 20 | 1170065 | Wing bolt, control box cover | 蝶ボルト(コントロールボックス蓋) | 4P010750-1 | | 2 | |
| 21 | 833012 | Patch plate nut | 当板ナット | R4718017-1 | | 1 | |
| 22 | | Rubber gasket | パッキン (C. BOX蓋) | 4P003732-2 | | 1 | |
| 23 | | Packing (C.box front plate) | パッキン (C. BOX前板) | 4P007341-1 | | 1 | |
| 24 | 844022 | Plain washer | 平座金 | 4SK07005-12 | | 2 | |
| 25 | 1136438 | Insulation sheet | 絶縁シート (C. BOX蓋) | 4P016059-1 | | 2 | |
| 26 | 1136445 | Retaining ring | E形止メ輪 | 4P016093-1 | | 2 | |

● When ordering the parts whose No. are not shown in the PARTS NO. column, be sure to describe DWG. NO..

● 部品番号欄が空白になっている部品は、図面番号で、指示願います。

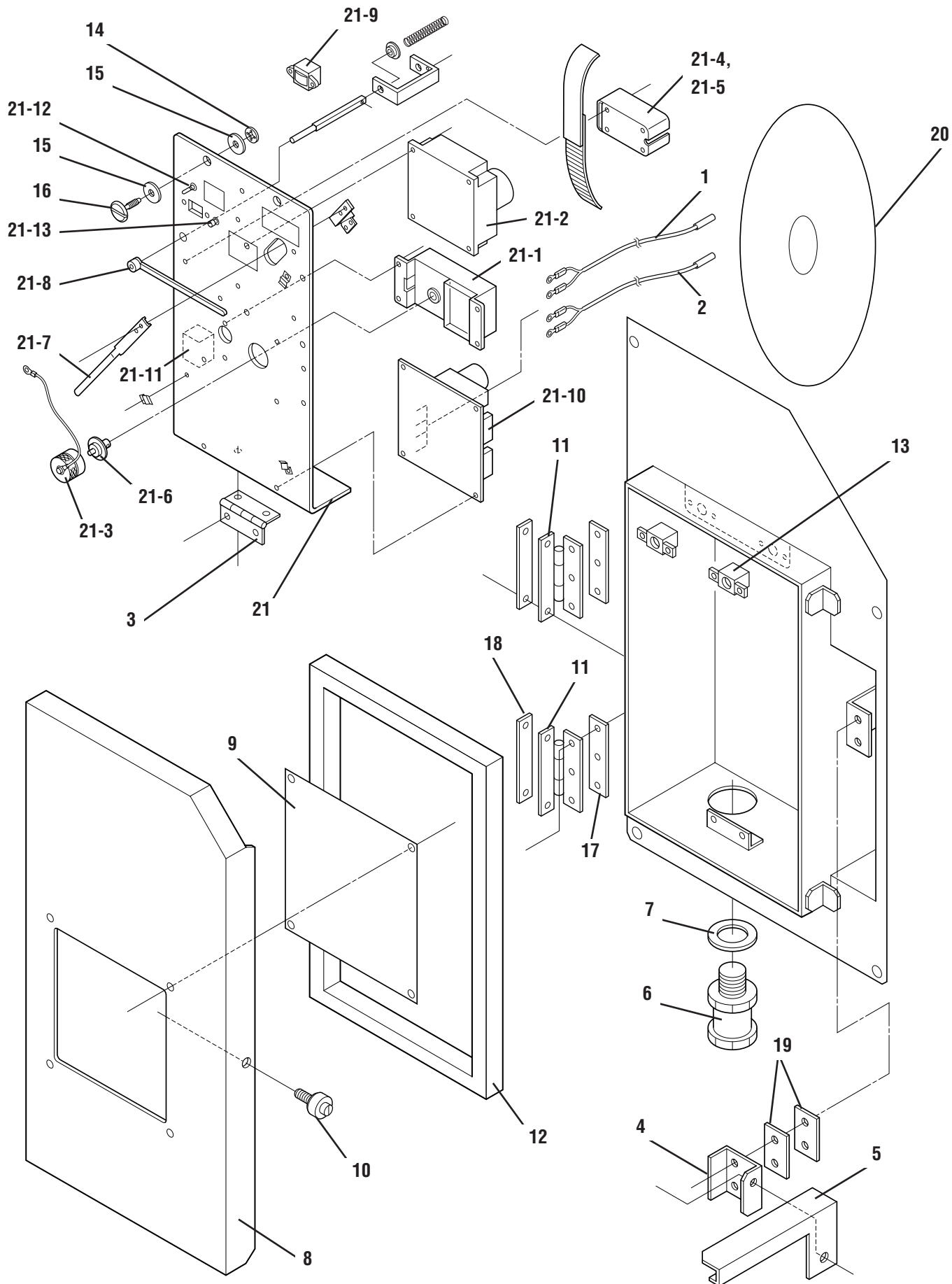
(TR01-15)

Control box
コントロールボックス

| NO. 符号 | PARTS NO. 部品番号 | PARTS NAME 部品名称 | DWG. NO. 図面番号 | TYPE 形式 | SPECIFICATION 仕様 | QTY/UNIT 1台当りの所要数 | REMARKS 備考 |
|-----------|-------------------|--------------------|------------------|------------|---------------------|----------------------|---------------|
| 32 | 1238721 | Plate nut | 4P010116-1 | | | 1 | |
| | | | | | | | |
| | | | | | | | |
| | | | | | | | |
| | | | | | | | |
| | | | | | | | |
| | | | | | | | |
| | | | | | | | |
| | | | | | | | |
| | | | | | | | |
| | | | | | | | |
| | | | | | | | |
| | | | | | | | |
| | | | | | | | |
| | | | | | | | |
| | | | | | | | |
| | | | | | | | |
| | | | | | | | |
| | | | | | | | |

• When ordering the parts whose No. are not shown in the PARTS NO. column, be sure to describe DWG. NO..

• 部品番号欄が空白になっている部品は、図面番号で、指示願います。
(TR01-15)



Recorder box

レコーダーボックス

a:'98年12月以前/Production before '98.12,b:'99年1月以降/Production after '99.1

| NO. 符号 | PARTS NO. 部品番号 | PARTS NAME | 部品名称 | DWG. NO. 図面番号 | TYPE 形式 | SPECIFICATION 仕様 | QTY/UNIT 1台当りの所要数 | | REMARKS 備考 |
|-----------|-------------------|--------------------------------|-------------|------------------|-------------------------|---------------------|----------------------|---|---------------|
| | | | | | | | a | b | |
| 1 | 0798307 | Sensor (RSS) | センサー (RSS) | 3PA61769-4 | ST9503-4 (Green, Green) | | 1 | 1 | |
| 2 | 0798282 | Sensor (RRS) | センサー (RRS) | 3PA61769-2 | ST9503-2 (Blue, Blue) | | 1 | 1 | |
| 3 | 351229 | Hinge | 平蝶番 | R4717632-1 | | | 1 | 1 | |
| 4 | 1273445 | Fixing plate, quick lock lever | ワンタッチ金具取付板 | 4P006369-1 | | | 1 | 1 | |
| 5 | 1273438 | Quick lock lever | ワンタッチ金具 | 4P006358-1 | | | 1 | 1 | |
| 6 | 0966294 | Cable gland | 電線グラント | 3PA37599-12 | SCL-30B | | 1 | | |
| 6 | 0773771 | Cable gland | 電線グラント | 3PA37599-10 | SCL-22B | | | 1 | |
| 7 | 1270042 | Rubber bush | ゴムブッシュ | 4P006438-1 | | | 1 | | |
| 7 | 1267844 | Grand rubber bush | グラントゴムブッシュ | 4P032156-1 | | | | 1 | |
| 8 | 0991562 | Cover (recorder) | 蓋 (レコーダ) | 3P005880-1 | | | 1 | 1 | |
| 9 | 1183511 | Access window | 点検窓 | 4P005883-1 | | | 1 | 1 | |
| 10 | 0907093 | Roller, quick lock lever | ワンタッチ金具用ローラ | 4PA51277-1 | | | 1 | 1 | |
| 11 | 351228 | Hinge, cover | 蓋締付蝶番 | R4718767-1 | | | 2 | 2 | |
| 12 | 1211175 | Packing (cover) | パッキン (蓋) | 4P006431-1 | | | 1 | 1 | |
| 13 | 860015 | Universal nut | 自在ナット | R4713188-1 | | | 2 | 2 | |
| 14 | 840002 | Drop out prevention washer | 脱落防止座金 | R4718607-6 | | | 2 | 2 | |
| 15 | 860005 | Washer, speed bolt | スピードボルト用座金 | R4713334 | | | 4 | 4 | |
| 16 | 860011 | Speed bolt | スピードボルト | R4714824-1 | | | 2 | 2 | |
| 17 | 874014 | Patch plate nut | 当板ナット | R3715992-33 | | | 2 | 2 | |
| 18 | 847011 | Patch plate nut | 当板ナット | R3715992-32 | | | 2 | 2 | |
| 19 | 0907101 | Spacer | スペーサ | 4PA51278-1 | | | 2 | 2 | |
| 20 | 0581213 | Recording chart | 記録紙 | 3PA43798-1 | | | 5 | 5 | |
| | | | | | | | | | |
| | | | | | | | | | |
| | | | | | | | | | |
| | | | | | | | | | |

• When ordering the parts whose No. are not shown in the PARTS NO. column, be sure to describe DWG. NO..

• 部品番号欄が空白になっている部品は、図面番号で、指示願います。
(TR01-15)

Recorder
レコーダ

a:'98年5月以前/Production before '98.5,b:'98年6月以降/Production after '98.6

| NO. 符号 | PARTS NO. 部品番号 | PARTS NAME 部品名称 | DWG. NO. 図面番号 | TYPE 形式 | SPECIFICATION 仕様 | QTY/UNIT 1台当りの所要数 | | REMARKS 備考 |
|-----------|-------------------|---------------------------------|------------------|----------------|------------------------|----------------------|---|---------------------|
| | | | | | | a | b | |
| 21 | 0980764 | Electronic temperature recorder | 電子式温度記録計 | 2P010361-2 | DER9601 | 1 | | |
| 21 | 1021985 | Electronic temperature recorder | 電子式レコーダ | 2P021722-6 | DER9601A | | 1 | |
| 21-1 | 0143495 | Quartz motor | クォーツ時計 | 3PA20194-2 | | 1 | 1 | |
| 21-2 | 0037336 | Servo unit ass'y | サーボ組立品 | 3PA20195-1 | | 1 | 1 | |
| 21-3 | 0037855 | Chart stopper ass'y | チャート押さえ組立 | 4PA20211-1 | A5052BP | 1 | 1 | |
| 21-4 | | Dry battery | 乾電池 | | SUM2(JIS C8501)IEC/R14 | 1 | 1 | 市販品PURCHASE LOCALLY |
| 21-5 | | Battery holder | 電池ホルダー | 2PA021722-9-Ti | | 1 | 1 | |
| 21-6 | | Chart shaft | チャート軸受け | 2PA021722-9-SU | | 1 | 1 | |
| 21-7 | | Pen ass'y | ペン組立品 | 2PA021722-9-Ko | | 1 | 1 | |
| 21-8 | | Lever | レバー | 2PA021722-9-Ma | | 1 | 1 | |
| 21-9 | | Battery meter | メータ | 2PA021722-9-Na | | 1 | 1 | |
| 21-10 | | Printed circuit board | P板組立品 | 2PA021722-9-So | | 1 | 1 | |
| 21-11 | | Dry battery | 乾電池 | | 6LR61-9V | 1 | 1 | 市販品PURCHASE LOCALLY |
| 21-12 | | Toggle switch | トグルスイッチ | 2PA021722-9-Ne | | 1 | 1 | |
| 21-13 | | Push button switch | 押しボタンスイッチ | 2PA021722-9-Ni | | 1 | 1 | |
| | | | | | | | | |
| | | | | | | | | |
| | | | | | | | | |
| | | | | | | | | |
| | | | | | | | | |
| | | | | | | | | |
| | | | | | | | | |
| | | | | | | | | |
| | | | | | | | | |
| | | | | | | | | |
| | | | | | | | | |
| | | | | | | | | |
| | | | | | | | | |
| | | | | | | | | |
| | | | | | | | | |
| | | | | | | | | |
| | | | | | | | | |
| | | | | | | | | |

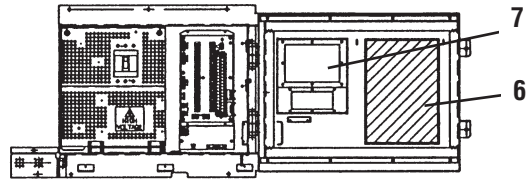
• When ordering the parts whose No. are not shown in the PARTS NO. column, be sure to describe DWG. NO..

• 部品番号欄が空白になっている部品は、図面番号で、指示願います。
(TR01-15)

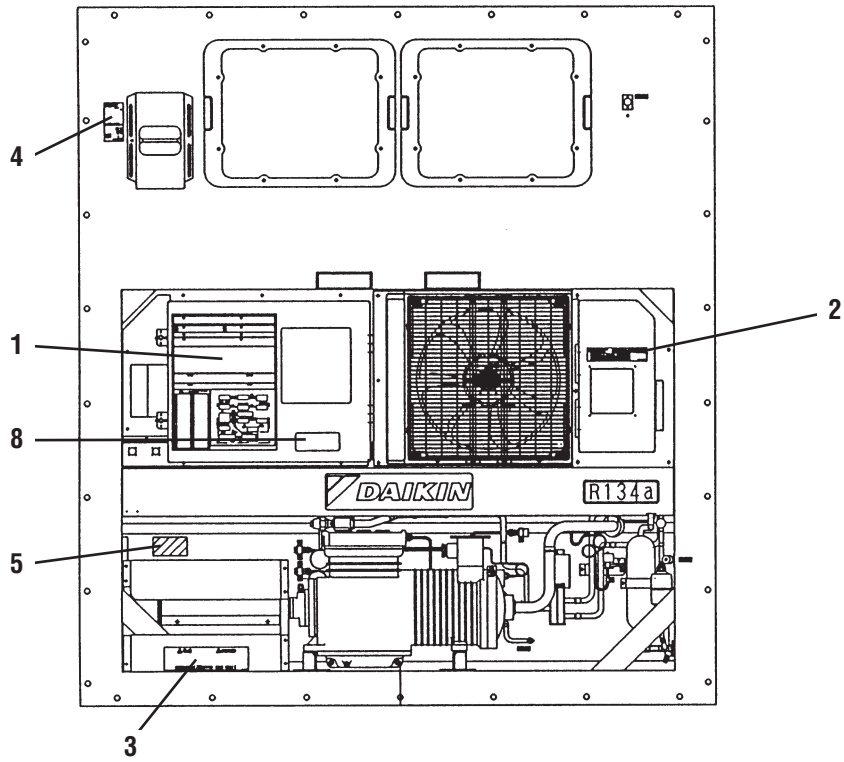
| NO. 符号 | PARTS NO. 部品番号 | PARTS NAME | 部 品 名 称 | DWG. NO. 図面番号 | TYPE 形 式 | SPECIFICATION 仕 様 | QTY/UNIT 1台当りの所要数 | | REMARKS 備 考 |
|-----------|-------------------|------------|---------|------------------|-------------|----------------------|----------------------|---|----------------|
| | | | | | | | a | b | |
| | | | | | | | | | |
| | | | | | | | | | |
| | | | | | | | | | |
| | | | | | | | | | |
| | | | | | | | | | |
| | | | | | | | | | |
| | | | | | | | | | |
| | | | | | | | | | |
| | | | | | | | | | |
| | | | | | | | | | |
| | | | | | | | | | |
| | | | | | | | | | |
| | | | | | | | | | |
| | | | | | | | | | |
| | | | | | | | | | |
| | | | | | | | | | |
| | | | | | | | | | |
| | | | | | | | | | |
| | | | | | | | | | |
| | | | | | | | | | |
| | | | | | | | | | |
| | | | | | | | | | |
| | | | | | | | | | |
| | | | | | | | | | |
| | | | | | | | | | |
| | | | | | | | | | |
| | | | | | | | | | |
| | | | | | | | | | |
| | | | | | | | | | |
| | | | | | | | | | |
| | | | | | | | | | |
| | | | | | | | | | |
| | | | | | | | | | |
| | | | | | | | | | |
| | | | | | | | | | |
| | | | | | | | | | |
| | | | | | | | | | |
| | | | | | | | | | |
| | | | | | | | | | |
| | | | | | | | | | |
| | | | | | | | | | |
| | | | | | | | | | |
| | | | | | | | | | |
| | | | | | | | | | |

• When ordering the parts whose No. are not shown in the PARTS NO. column, be sure to describe DWG. NO..

• 部品番号欄が空白になっている部品は、図面番号で、指示願います。
(TR01-15)



INSIDE OF CONTROL BOX



Parts related with the name plate
銘板関連部品

| NO. 符号 | PARTS NO. 部品番号 | PARTS NAME | 部品名称 | DWG. NO. 図面番号 | TYPE 形式 | SPECIFICATION 仕様 | QTY/UNIT 1台当りの所要数 | REMARKS 備考 |
|-----------|-------------------|------------------------------|-----------------|------------------|------------------|---------------------|----------------------|---------------|
| 1 | | Name plate, caution (dual) | 注意銘板（デュアル） | 1P009914-1 | | | 1 | |
| 2 | 1268126 | Name plate, recorder box | レコーダーボックス銘板 | 3P010003-1 | English/Japanese | | 1 | |
| 3 | 1229037 | Name plate, refrigerant /oil | 冷媒・オイル注意銘板 | 3P016114-1 | | | 1 | |
| 4 | | Ventilator name plate | 換気口銘板 | 4P011116-1 | | | 1 | |
| 5 | | Name plate, unit performance | 機械銘板 | 3P011037-1 | | | 1 | |
| 6 | 1181298 | Name plate, wiring diagram | 電気配線図銘板 | 2D008370-1 | | | 1 | |
| 7 | 1269749 | Emergency label | エマージェンシー銘板（日，英） | 3P017620-1 | | | 1 | |
| 8 | 1181281 | Name plate, compressor start | 圧縮機起動注意銘板 | 4P017391-1 | | | 1 | |
| | | | | | | | | |
| | | | | | | | | |
| | | | | | | | | |
| | | | | | | | | |
| | | | | | | | | |
| | | | | | | | | |
| | | | | | | | | |
| | | | | | | | | |
| | | | | | | | | |
| | | | | | | | | |
| | | | | | | | | |
| | | | | | | | | |
| | | | | | | | | |
| | | | | | | | | |
| | | | | | | | | |
| | | | | | | | | |
| | | | | | | | | |
| | | | | | | | | |

• When ordering the parts whose No. are not shown in the PARTS NO. column, be sure to describe DWG. NO..

• 部品番号欄が空白になっている部品は、図面番号で、指示願います。
(TR01-15)

Parts related with the name plate

銘板関連部品

| NO. 符号 | PARTS NO. 部品番号 | PARTS NAME | 部品名称 | DWG. NO. 図面番号 | TYPE 形式 | SPECIFICATION 仕様 | QTY/UNIT 1台当りの所要数 | REMARKS 備考 |
|-----------|-------------------|------------|------|------------------|------------|---------------------|----------------------|---------------|
| | | | | | | | | |
| | | | | | | | | |
| | | | | | | | | |
| | | | | | | | | |
| | | | | | | | | |
| | | | | | | | | |
| | | | | | | | | |
| | | | | | | | | |
| | | | | | | | | |
| | | | | | | | | |
| | | | | | | | | |
| | | | | | | | | |
| | | | | | | | | |
| | | | | | | | | |
| | | | | | | | | |
| | | | | | | | | |
| | | | | | | | | |
| | | | | | | | | |
| | | | | | | | | |
| | | | | | | | | |
| | | | | | | | | |
| | | | | | | | | |
| | | | | | | | | |
| | | | | | | | | |
| | | | | | | | | |
| | | | | | | | | |
| | | | | | | | | |
| | | | | | | | | |

• When ordering the parts whose No. are not shown in the PARTS NO. column, be sure to describe DWG. NO..

• 部品番号欄が空白になっている部品は、図面番号で、指示願います。
(TR01-15)