

<https://daikin-p.ru>

DAIKIN



DAIKIN

Marine type

Container Refrigeration Unit

Service Manual · Parts List

Optional Functions

Model

LXE10D-A15A

DAIKIN INDUSTRIES, LTD.

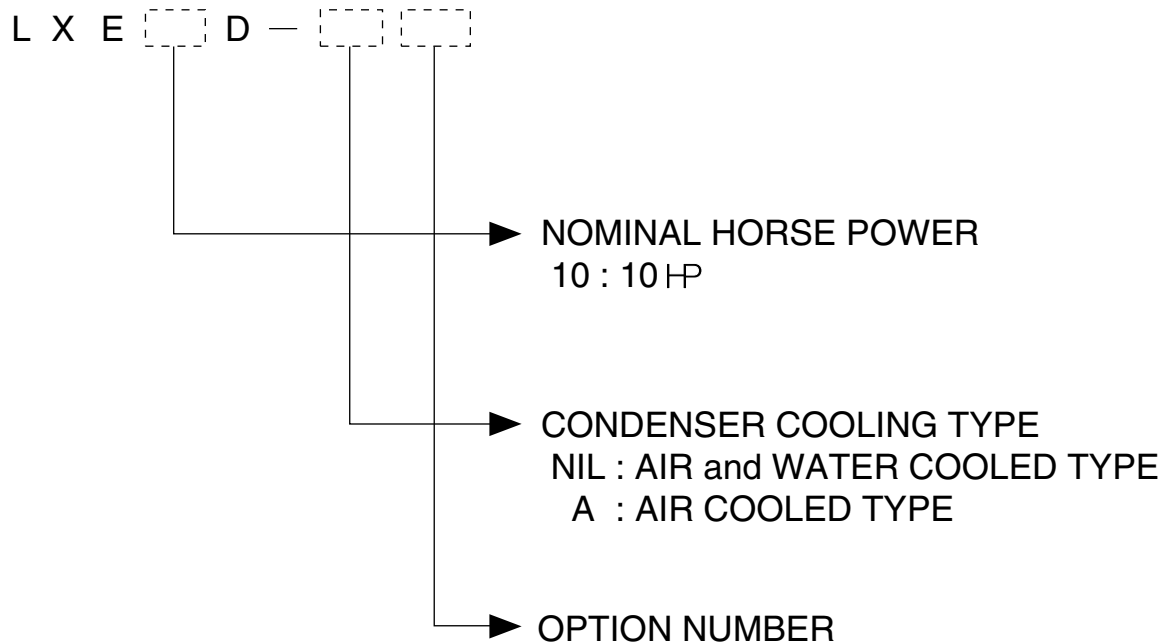
TR01-22

This manual describes only the items different from those of the standard machine.

For the items not described in this manual, refer to the following document.

- Service Guide, Services
- Service Manual (Operation)
- Parts List
- Operation Manual of Personal Computer Software
- Compressor Dismantling and Assembly Manual

Denomination of Model Name



Note) "R" GIVEN AFTER OPTION NUMBER STANDS FOR "REVISION" AND IT IS GIVEN FOR THE UNIT WHICH IS SPECIALLY MODIFIED.

CONTENTS

Chapter for operation and service work3

1. Covered Model4

2. Main equipment and its maintenance4

 2.1 Electronic expansion valve4

3. Schematic wiring diagram5

4. Stereoscopic wiring diagram6

Chapter for Parts List7

Chapter for operation and service work

(The items which are different from that of the standard products only are described in this manual)

1. Covered Model

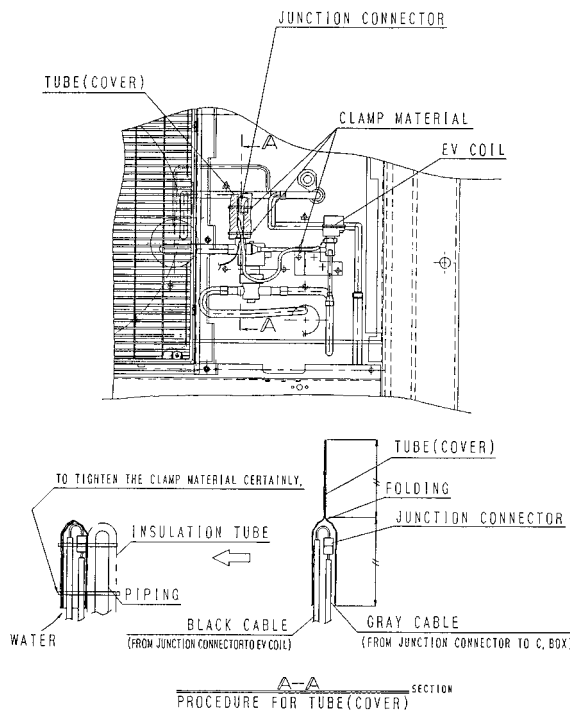
This Service manual describes only the items different from those of the standard machine regarding the features and operation of LXE10D-A1.

NO.	Item	Different points from service manual (Maintenance and Repair)
1	Recorder recording when the power supply is off	The pen is held at the indoor temperature of the time when the power supply is turned off. (The constant temperature continues recorded.)
2	Emergency coil cap (for electronic expansion valve)	It is provided on the rear side of the recorder box.
3	Wiring for modem	Provided with the connector and wiring for the modem of Sabro brand.

2. Main equipment and its maintenance

2.1 Electronic expansion valve

This unit has employed a relay connector for the lead wire of expansion valve coil. Removing the relay connector facilitates replacement of the coil. Since the relay connector is not of the moistureproof specifications, treat the relay connector to make it moistureproof by the following procedures.

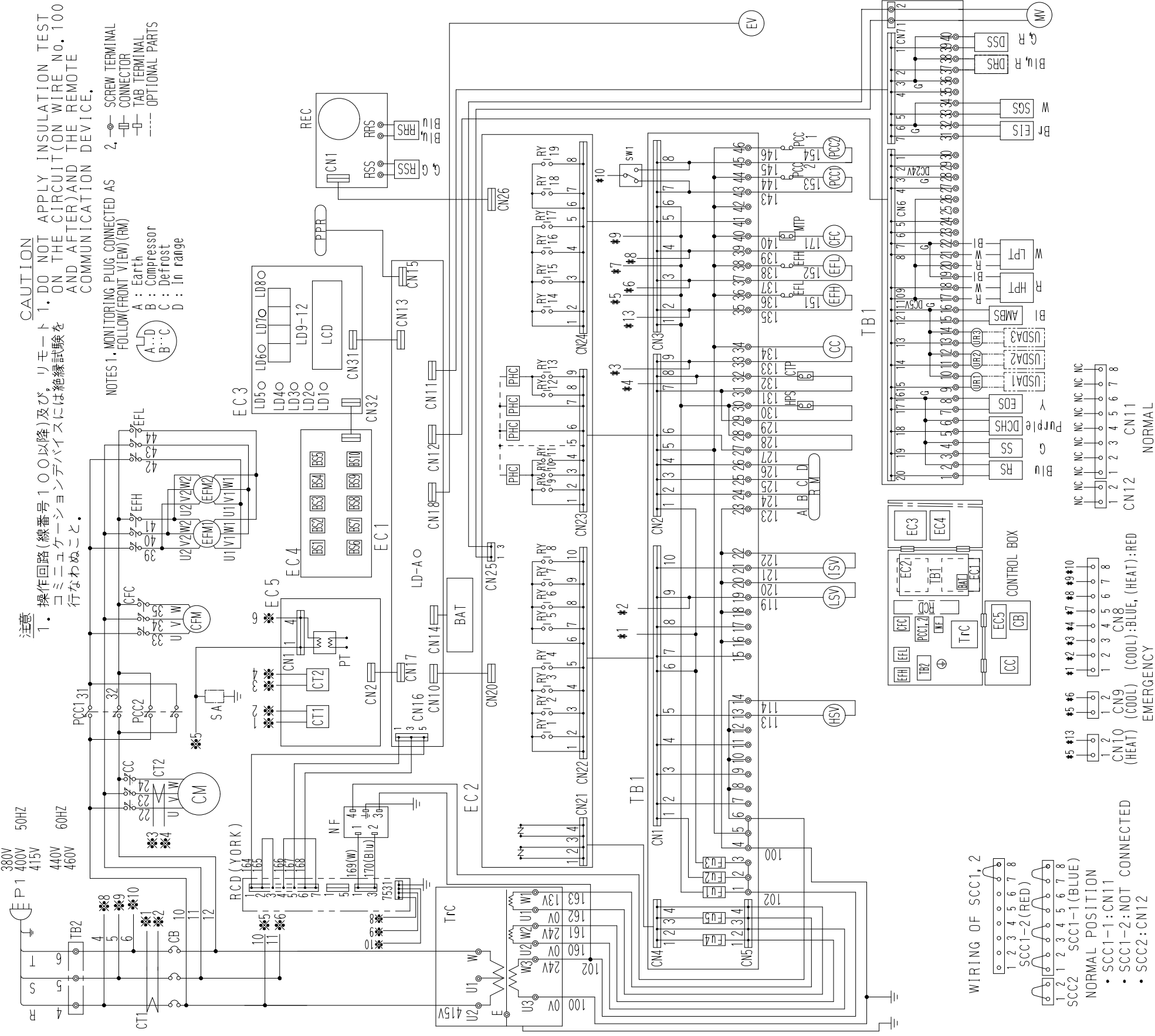


CAUTION

After replacing the coil, seal the lock nut that fastens the main unit and coil using the proper sealant.

3. Schematic wiring diagram

CONTAINER REFRIGERATION UNIT WIRING DIAGRAM



注意

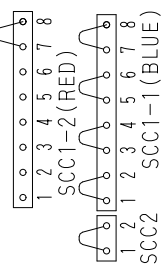
1. 操作回路(線番号100以降)及び、リモート1. DO NOT APPLY INSULATION TEST ON THE CIRCUIT(ON WIRE No.100 AND AFTER)AND THE REMOTE COMMUNICATION DEVICES. 行なわぬこと。

CAUTION

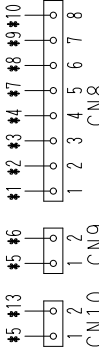
1. DO NOT APPLY INSULATION TEST ON THE CIRCUIT(ON WIRE No.100 AND AFTER)AND THE REMOTE COMMUNICATION DEVICES.

NOTES 1. MONITORING PLUG CONNECTED AS FOLLOW(FRONT VIEW)(RM)
 A : Earth
 B : Compressor
 C : Defrost
 D : In range

WIRING OF SCC1, 2



NORMAL POSITION
 • SCC1-1: CN11
 • SCC1-2: NOT CONNECTED
 • SCC2: CN12



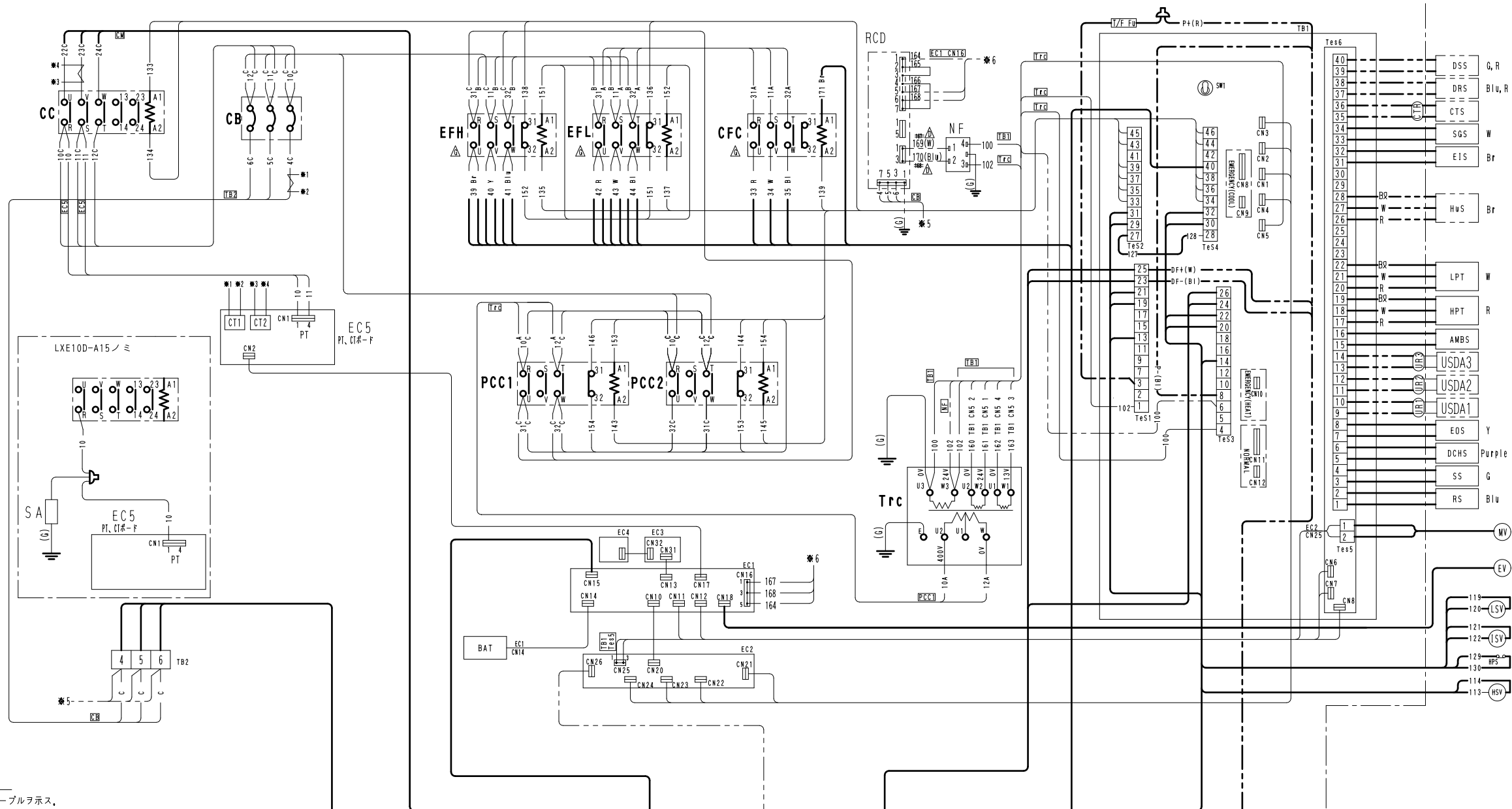
EMERGENCY
 • #5 #6 #13 #14 #15 #16 #17 #18 #19 #20 #21 #22 #23 #24 #25 #26 #27 #28 #29 #30 #31 #32 #33 #34 #35 #36 #37 #38 #39 #40 #41 #42 #43 #44 #45 #46 #47 #48 #49 #50 #51 #52 #53 #54 #55 #56 #57 #58 #59 #60 #61 #62 #63 #64 #65 #66 #67 #68 #69 #70 #71 #72 #73 #74 #75 #76 #77 #78 #79 #80 #81 #82 #83 #84 #85 #86 #87 #88 #89 #90 #91 #92 #93 #94 #95 #96 #97 #98 #99 #100

AMBS	AMBIENT TEMP. SENSOR	EFM1, 2	EVAPORATOR FAN MOTOR	LSV	LIQUID SOLENOID VALVE	SS	SUPPLY AIR SENSOR
BAT	BATTERY	EIS	EVAPORATOR INLET SENSOR	LPT	LOW PRESSURE TRANSDUCER	SW1	PHASE CORRECTION SWITCH
BS1-10	PUSH BUTTON SWITCH	EOS	EVAPORATOR OUTLET SENSOR	MV	MODULATING VALVE	TB1	TERMINAL BOARD
CB	CIRCUIT BREAKER(30A)	EV	ELECTRONIC EXPANSION VALVE	MTP	COND. MOTOR THERMAL PROTECTOR	Tb2	TERMINAL BLOCK
CC	COMPRESSOR CONTACTOR	Fu1-5	FUSE(250V, 10A)	NF	NOISE FILTER	Trc	CONTROL TRANSFORMER
CFC	CONDENSER FAN CONTACTOR	HPS	HIGH PRESSURE SWITCH	PI	POWER PLUG	URI-3	USDA RECEPTACLE
CFM	CONDENSER FAN MOTOR	HPT	HIGH PRESSURE TRANSDUCER	PCC1, 2	PHASE CORRECTION CONTACTOR		
CM	COMPRESSOR MOTOR	HSV	HOT GAS SOLENOID VALVE	PHC	PHOTO COUPLER		
CT1, 2	CURRENT TRANSFORMER	ISV	INJECTION SOLENOID VALVE	PPR	PC PORT RECEPTACLE		
CTP	COMPRESSOR THERMAL PROTECTOR	LCD	LIQUID CRYSTAL DISPLAY	PT	POTENTIAL TRANSFORMER		
DCHS	COMPRESSOR DISCHARGE SENSOR	LD-A	SERVICE MONITOR-GREEN	REC	RECORDER		
DRS	DATA RECORDER RETURN AIR SENSOR	LD1	LIGHT-EMITTING DIODE (R. H.)	RM	REMOTE MONITORING RECEPTACLE	RCD	REMOTE COMMUNICATION DEVICE(YORK)
DSS	DATA RECORDER SUPPLY AIR SENSOR	LD2	LIGHT-EMITTING DIODE(ALARM)	RPS	RECORDER RETURN AIR SENSOR	USDA1-3	USDA SENSOR
EC1	CPU BOARD (DECOS)	LD3	LIGHT-EMITTING DIODE (RETURN)	RS	RETURN AIR SENSOR		
EC2	I/O BOARD (DECOS)	LD4	LIGHT-EMITTING DIODE (SUPPLY)	RSS	RECORDER SUPPLY AIR SENSOR		
EC3	DISPLAY BOARD (DECOS)	LD5	LIGHT-EMITTING DIODE (COMP)	RY1-19	RELAY		
EC4	SHEET KEY (DECOS)	LD6	LIGHT-EMITTING DIODE (DEFROST)	SA	SURGE ABSORBER		
EC5	PRINTED CIRCUIT BOARD (PT, CT)	LD7	LIGHT-EMITTING DIODE (IN RANGE)	SCC1-1, -2	SHORT CIRCUIT CONNECTOR		
EFH	HIGH SPEED EVAPORATOR FAN CONTACTOR	LD8	LIGHT-EMITTING DIODE (DE-HUMID)	SCC2	SHORT CIRCUIT CONNECTOR		
EFL	LOW SPEED EVAPORATOR FAN CONTACTOR	LD9-12	LIGHT-EMITTING DIODE	SGS	SUCTION GAS SENSOR		

2D012915-1E

LXE10D-A15

4. Stereoscopic wiring diagram



配線要領

注) (1) 線ハ、盤内配線ヲ示ス、
 線ハ外部機器及ビ、中継ケーブルヲ示ス、
 端子間 線ハ、短絡線ヲ示ス、
 線ハ、オプションヲ示ス。

(2) 各機器内ノ端子番号、使用電線ノ図示ハ、次ニヨル、
 UL1015AWG16(1.25mm²): —
 // AWG14(2.0mm²): —A—
 // AWG12(3.5mm²): —B—
 // AWG10(5.5mm²): —C—

(3) 配線色
 Bl:クロ、Blu:アオ、G:グリーン
 Br:チャ、R:アカ
 Y:キ、W:シロ
 (G):ミドリアース

Notes for wiring

Note: (1) — line represents the line in the box. —
 — line represents the external unit or junction cable.
 — line between terminals represents the jumper wire.
 - - - line represents the optional specification.

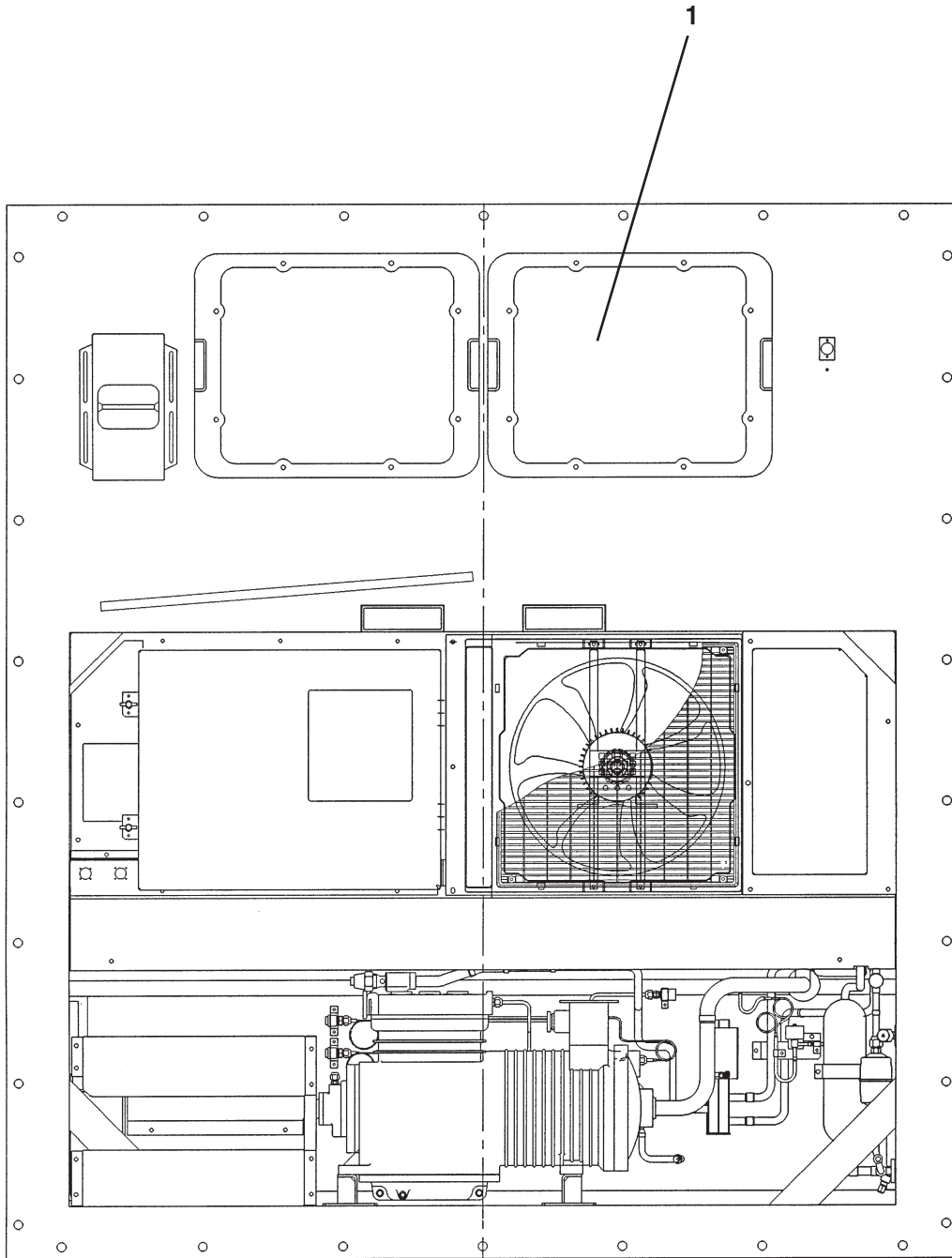
(2) The terminal numbers and applicable cables in each unit are as shown below.
 UL1015 AWG16 (1.25 mm²): —
 UL1015 AWG14 (2.0 mm²): — A —
 UL1015 AWG12 (3.5 mm²): — B —
 UL1015 AWG10 (5.5 mm²): — C —

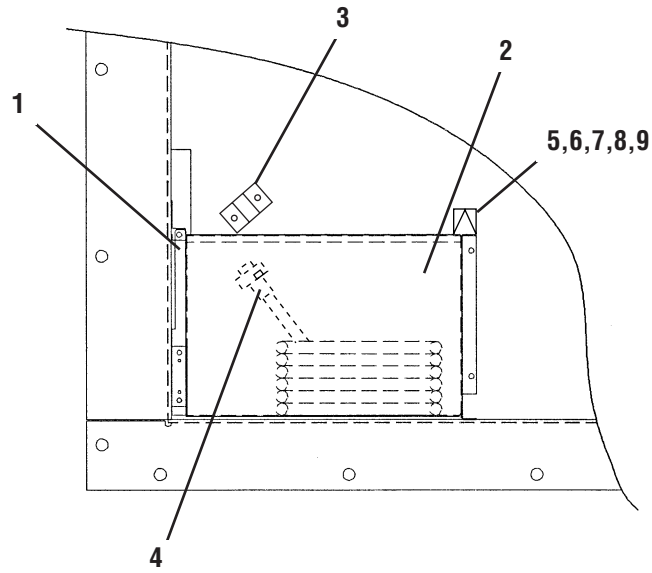
(3) Line color
 Bl: Black, Blu: Blue, G: Green
 Br: Brown, R: Red
 Y: Yellow, W: White
 (G): Green-ground

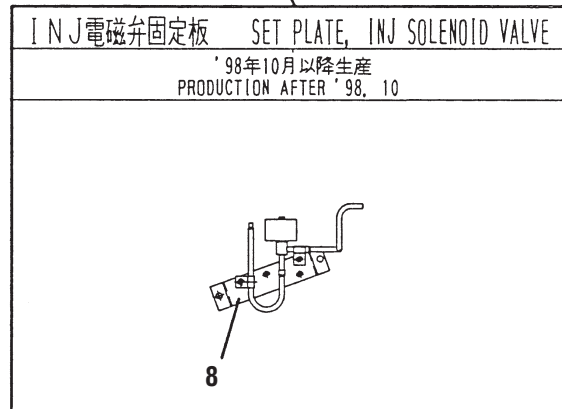
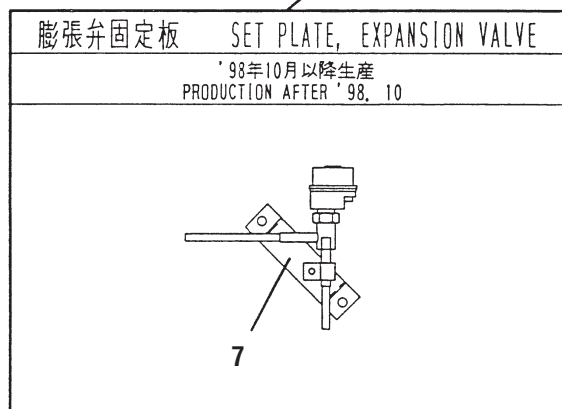
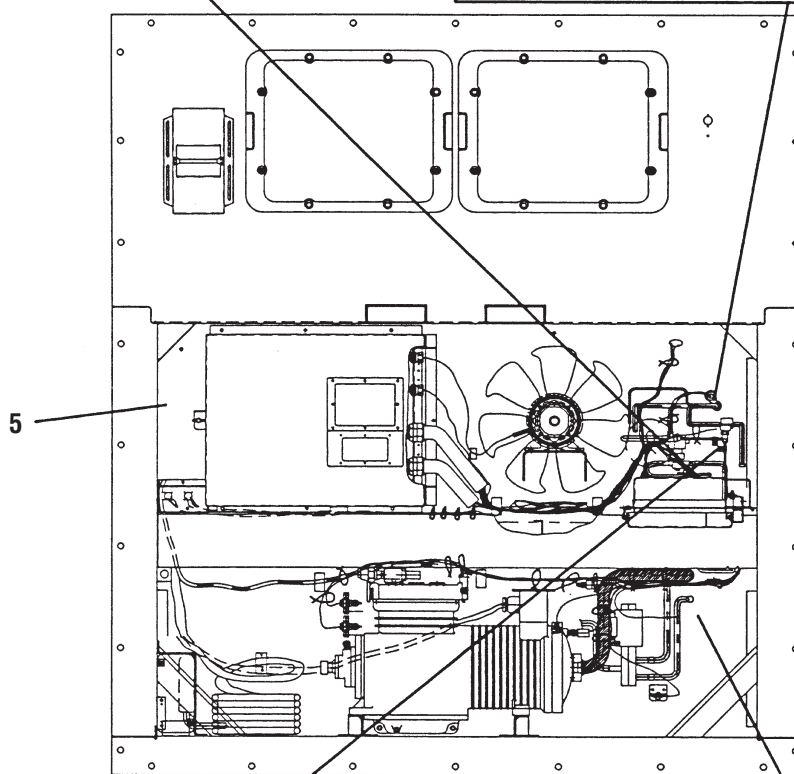
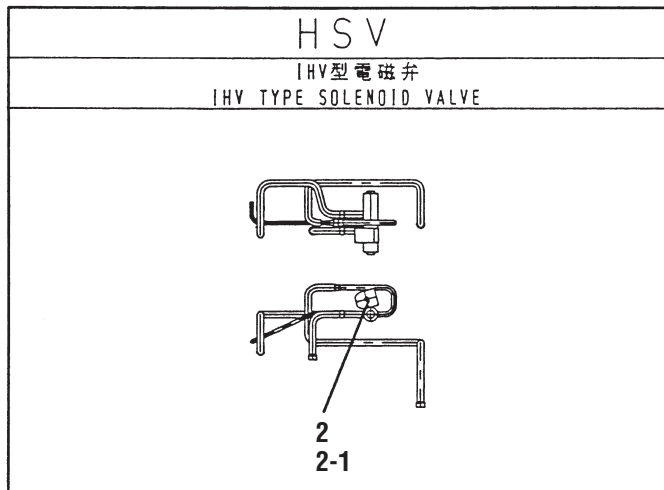
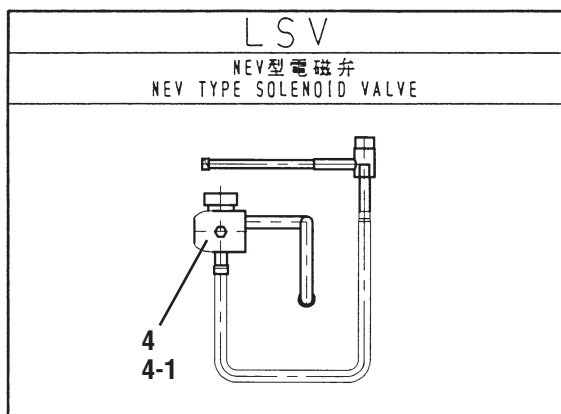
Chapter for Parts List

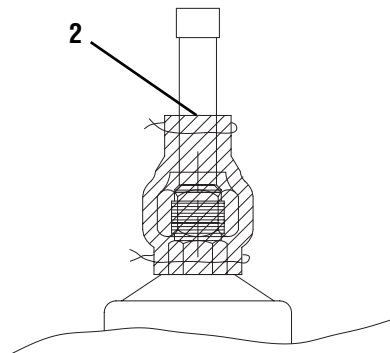
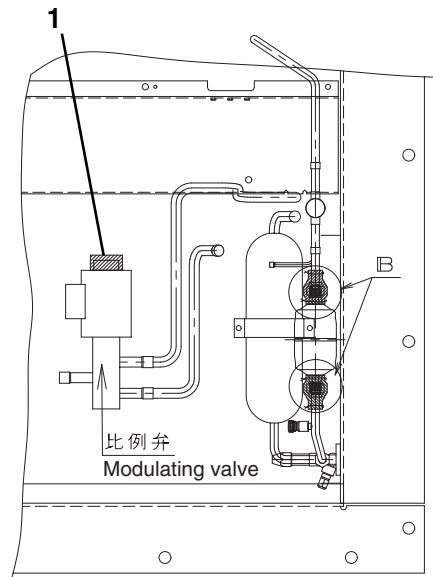
(The parts which are different from that of the standard products only are described in this parts list)

The parts which are different from that of the standard model only are described in this manual. Regarding the items which are not described in this manual, refer to Parts List (TR97-11C) as well.

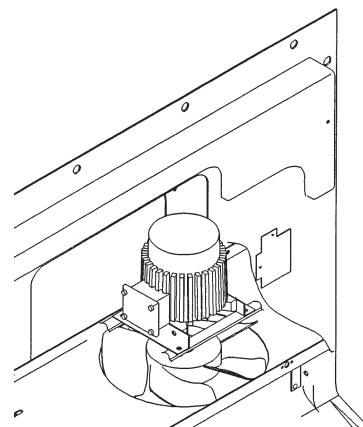
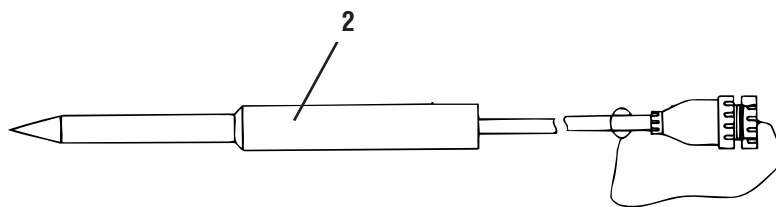
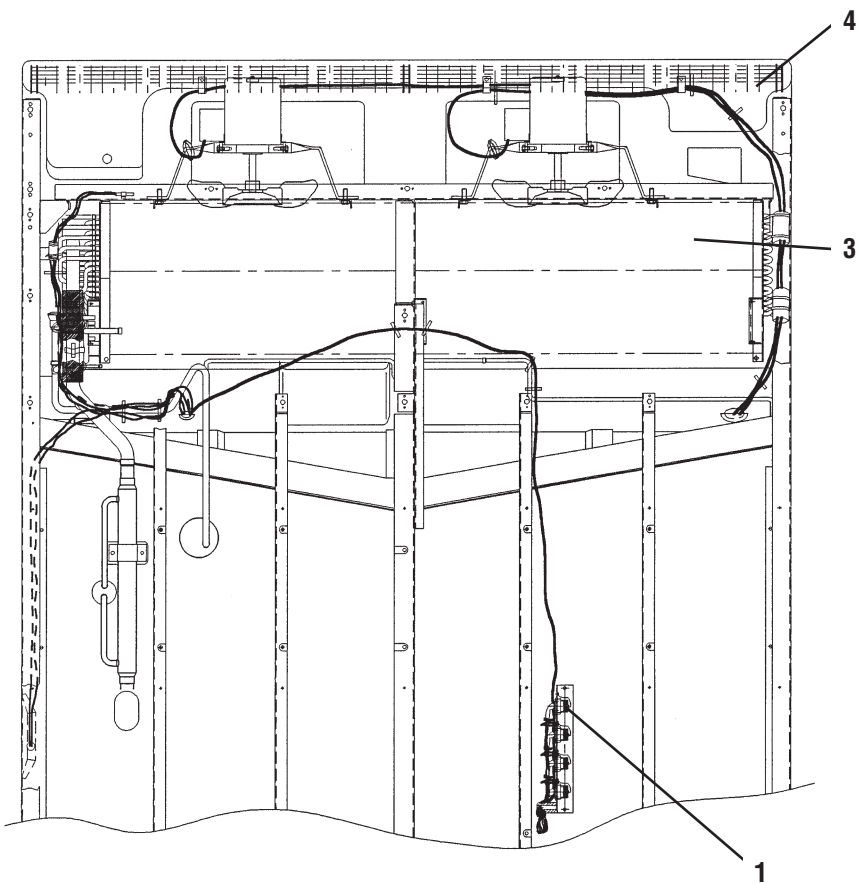
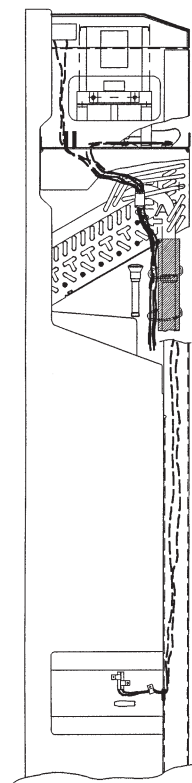
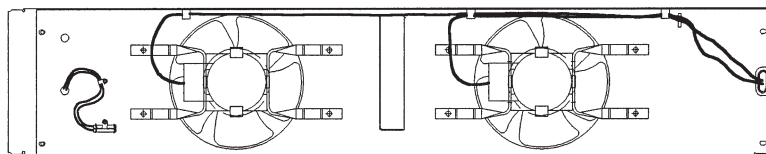


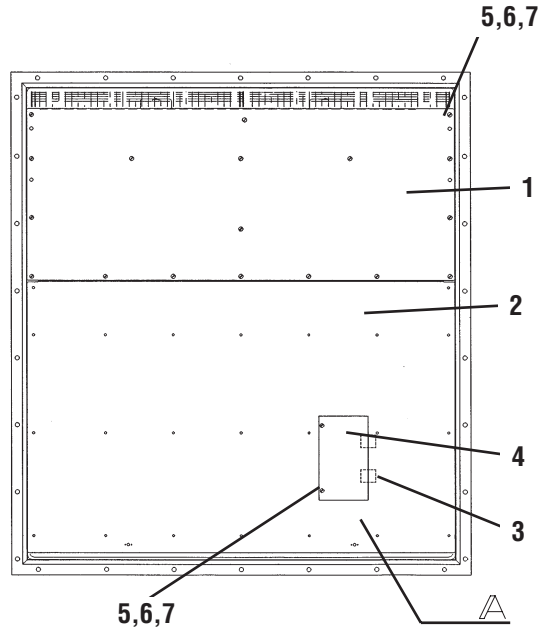


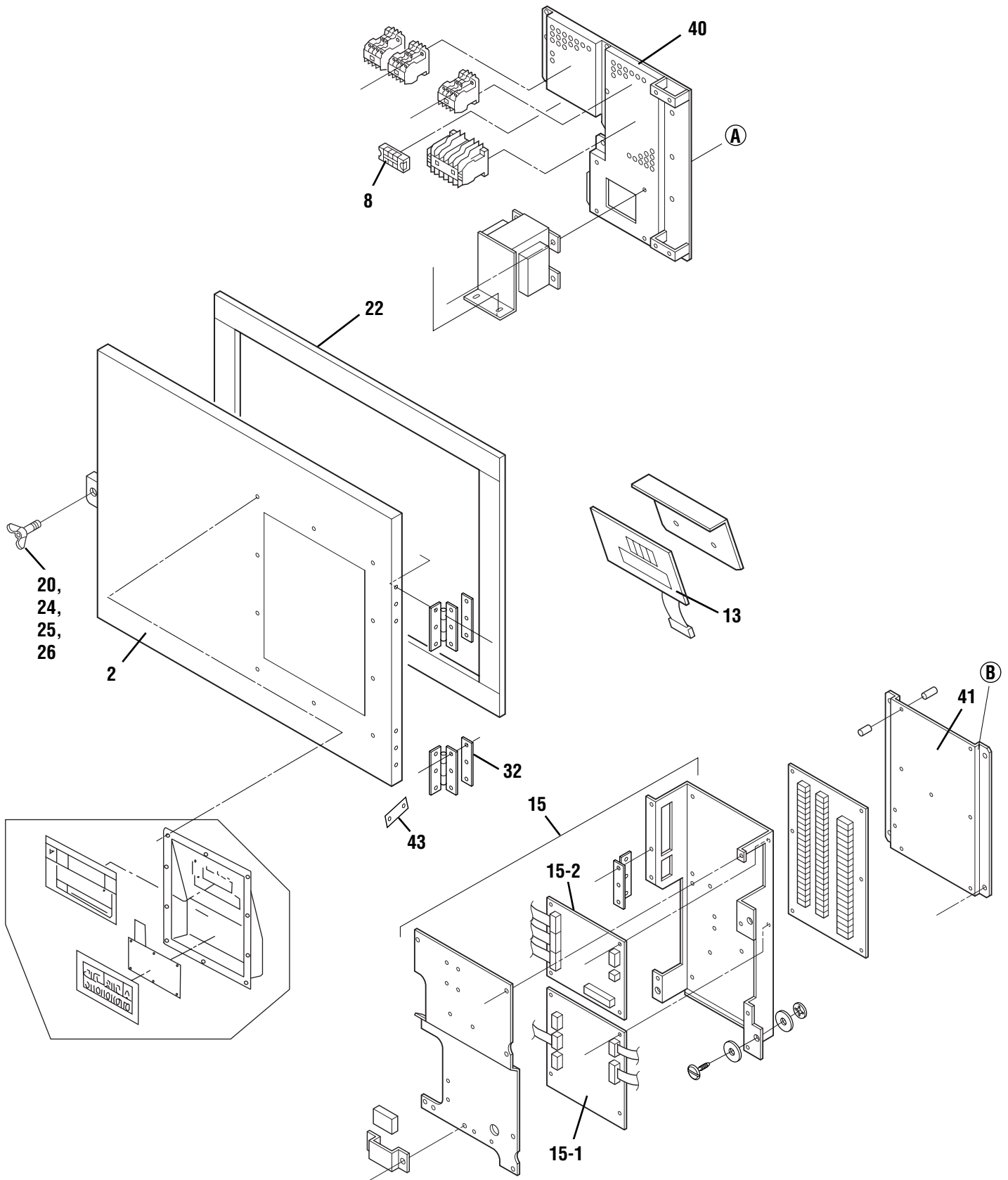


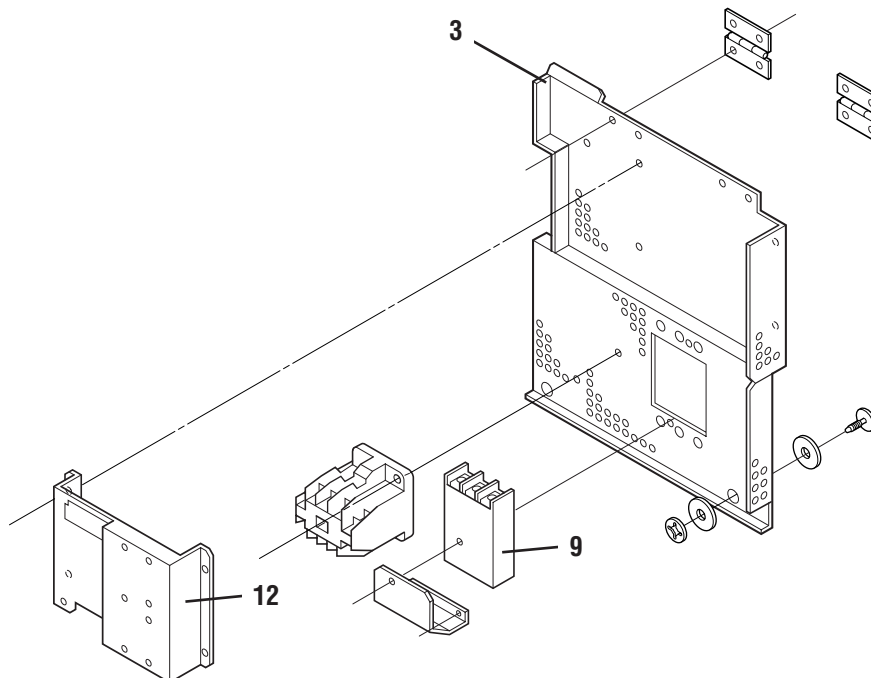
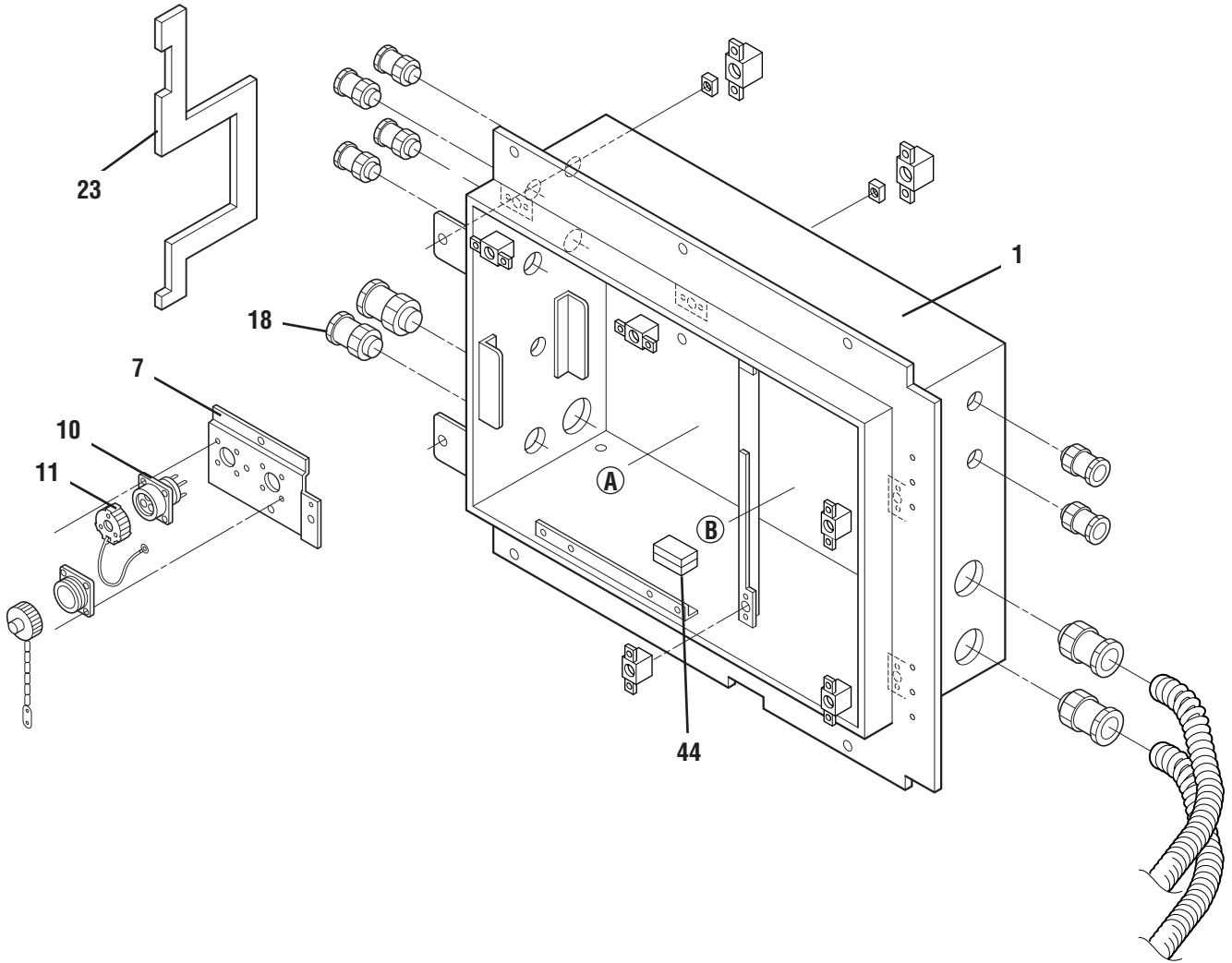


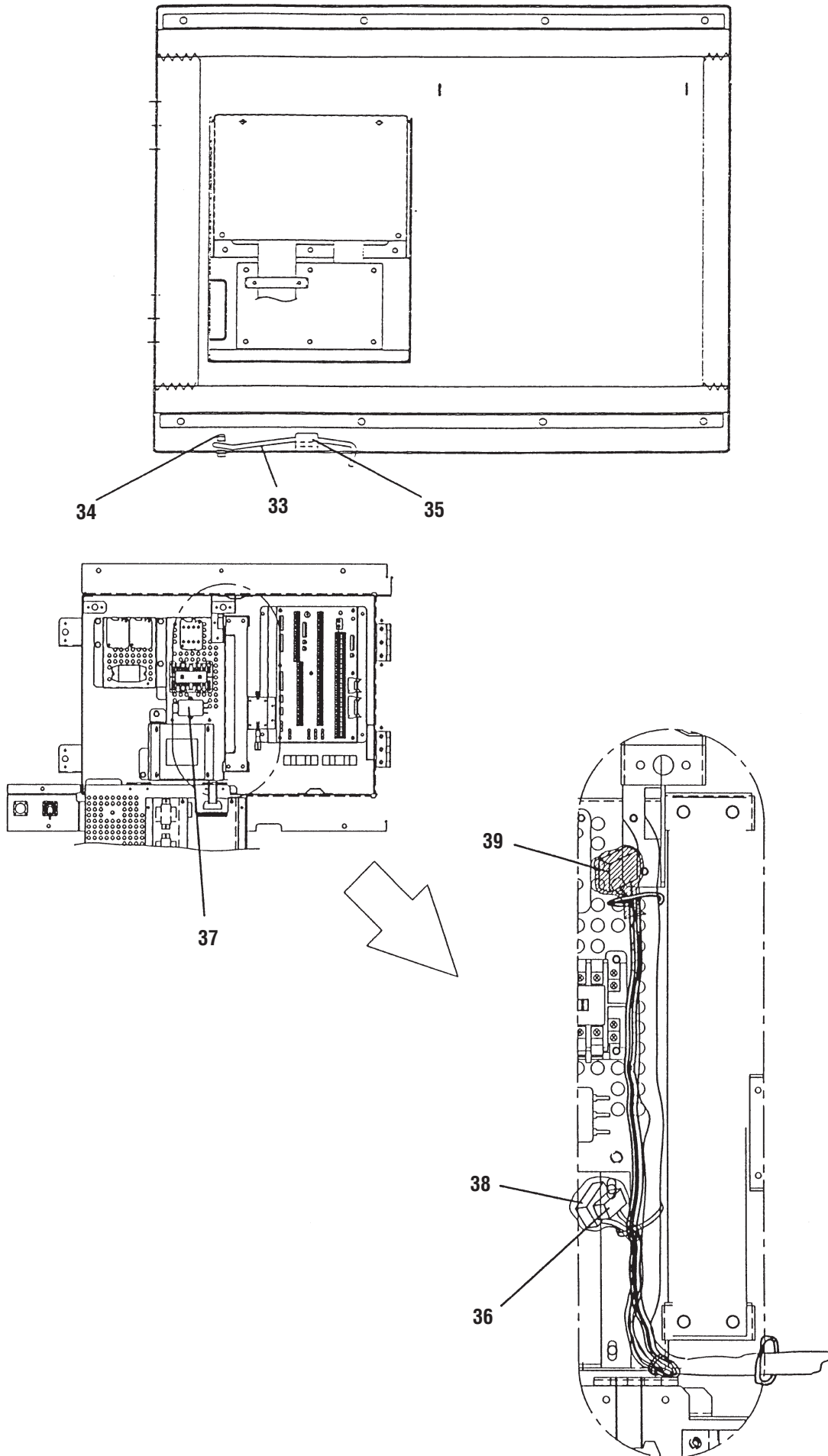
Ⓑ 部詳細
Ⓑ DETAIL











Control box
コントロールボックス

NO. 符号	PARTS NO. 部品番号	PARTS NAME	部品名称	DWG. NO. 図面番号	TYPE 形式	SPECIFICATION 仕様	QTY/UNIT 1台当りの所要数	REMARKS 備考
1		C.box welding ass'y	C. BOX溶接組立品	2P044599-2			1	
2	1136382	C.box cover	コントロールボックス蓋	3P044580-1			1	
3		Blind plate (2)	機器取付板 (2)	2P044591-1			1	
7	1267527	Fixing plate PC port	パソコンポート固定板	4P044311-1			1	
8	660111	Terminal block	端子台	R3421183-2			1	
9	0432986	Circuit breaker (CB)	ノーフェーズブレーカ (CB)	3PA42438-1			1	
10	0991531	PC port connector	パソコンポートコネクタ	3P010803-1			1	
11	1270011	Personal computer port cover	パソコンポートカバー	3P010805-1			1	
12	0954633	PT/CT board	P T / C T ボード	2P010906-3			1	
13	1010815	Display board	表示基板	2P010368-2			1	
15	1241501	CPU & I/O board ass'y	C P U & I / O ボード組立品	3P015006-17			1	
15-1	1241556	CPU board	C P U ボード	2P010365-10			1	
15-2	0954594	I/O board	I / O ボード	2P010367-1			1	
18	0758657	Cable gland	電線グラウンド	3PA37599-7	SCL-18A ケーブルコネクタ		1	
20	1136421	Wing bolt control box cover	蝶ボルト(コントロールボックス蓋)	4P010750-2			1	
22	1136469	Rubber gasket	パッキン (C. BOX蓋)	4P003732-1			1	
23		Packing (C.box front plate)	パッキン (C. BOX前板)	4P007341-1			1	
24	844022	Plain washer	平座金	4SK07005-12			1	
25	1136438	Insulation sheet	絶縁シート (C. BOX蓋)	4P016059-1			1	
26	1136445	Retaining ring	E形止メ輪	4P016093-1			1	
32	1270035	Plate nut	プレートナット	4P010116-2	M5		1	
33	0907024	Stopper	ストッパ	4PA51169-1			1	
34	380413	Spacer	スペーサ	R4717985-1			1	
35	1136452	Packing	パッキン	4P016098-1			1	
36	1267736	Connector for MODEM	モデム用コネクタ	3P012038-3	BLA3		1	FOR SABROE
37	0954640	Noise filter	ノイズフィルタ	2PA51273-1	ZAC2206-11		1	
38	1267750	Connector for MODEM	モデム用コネクタ	3P012038-7	BLA7		1	FOR SABROE

• When ordering the parts whose No. are not shown in the PARTS NO. column, be sure to describe DWG. NO..

• 部品番号欄が空白になっている部品は、図面番号で、指示願います。
(TR01-22)

Control box
コントロールボックス

NO. 符号	PARTS NO. 部品番号	PARTS NAME 部品名称	DWG. NO. 図面番号	TYPE 形式	SPECIFICATION 仕様	QTY/UNIT 1台当りの所要数	REMARKS 備考
39	1267743	Connector for MODEM				1	FOR SABROE
40						1	
41	1267510	Mounting plate, terminal board				1	
43	1136539	Clamp				3	
44	1267712	Clamp				1	

When ordering the parts whose No. are not shown in the PARTS NO. column, be sure to describe DWG. NO..

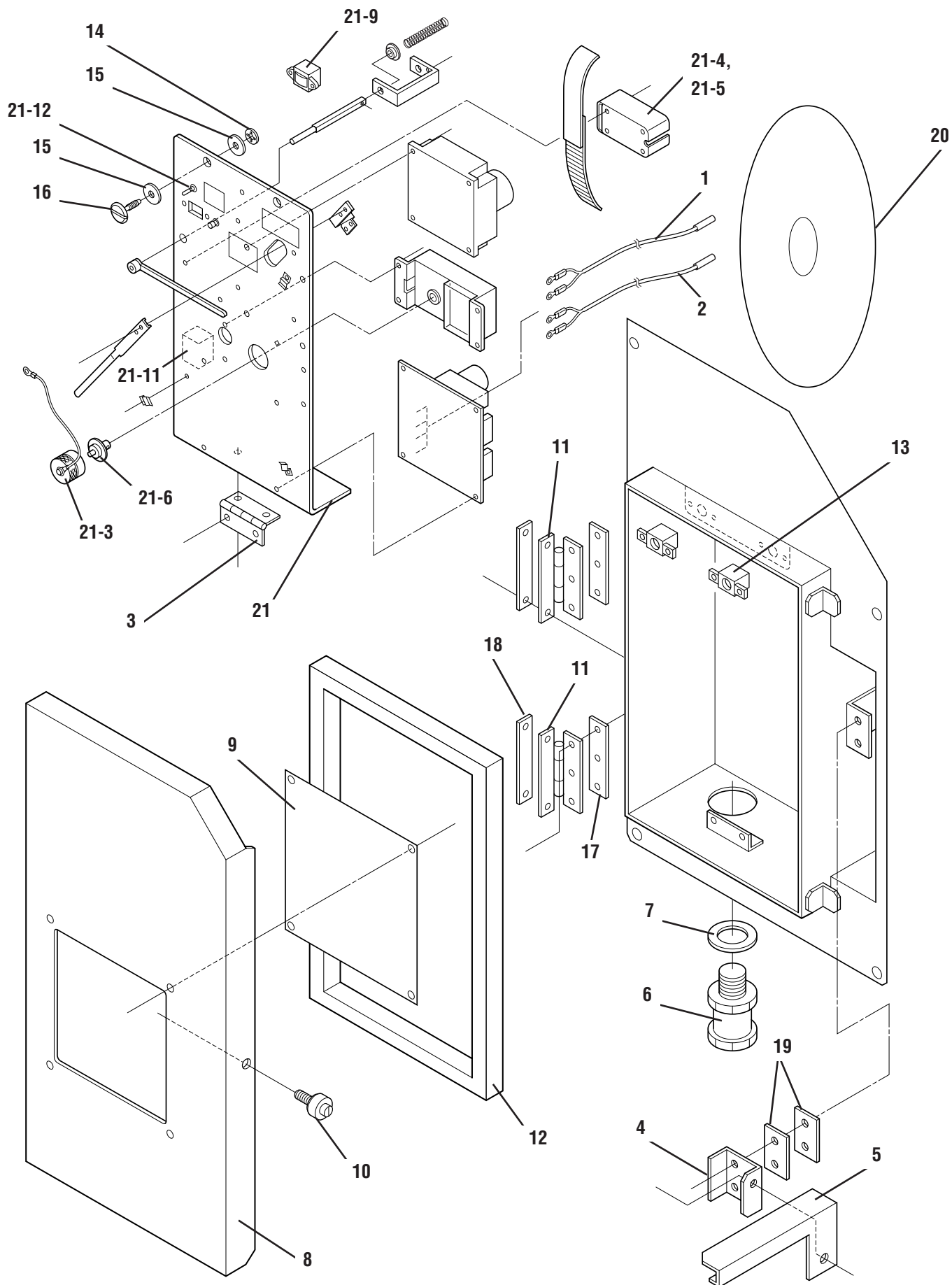
部品番号欄が空白になっている部品は、図面番号で、指示願います。
(TR01-22)

Control box
コントロールボックス

NO. 符号	PARTS NO. 部品番号	PARTS NAME 部品名称	DWG. NO. 図面番号	TYPE 形式	SPECIFICATION 仕様	QTY/UNIT 1台当りの所要数	REMARKS 備考

• When ordering the parts whose No. are not shown in the PARTS NO. column, be sure to describe DWG. NO..

• 部品番号欄が空白になっている部品は、図面番号で、指示願います。
(TR01-22)



Recorder box
レコーダーボックス

NO. 符号	PARTS NO. 部品番号	PARTS NAME 部品名称	DWG. NO. 図面番号	TYPE 形式	SPECIFICATION 仕様	QTY/UNIT 1台当りの所要数	REMARKS 備考
1	0798307	Sensor (RSS)	センサー (RSS)	3PA61769-4	ST9503-4 (Green, Green)	1	
2	0798282	Sensor (RRS)	センサー (RRS)	3PA61769-2	ST9503-2 (Blue, Blue)	1	
3	1136104	Hinge	平蝶番	4P043349-1		1	
4	1273445	Fixing plate, quick lock lever	ワンタッチ金具取付板	4P006369-1		1	
5	1273438	Quick lock lever	ワンタッチ金具	4P006358-1		1	
6	0773771	Cable gland	電線グラウンド	3PA37599-10	SCL-22B	1	
7	1267844	Grand rubber bush	グラウンドゴムブッシュ	4P032156-1		1	
8	0991562	Cover (recorder)	蓋 (レコーダ)	3P005880-1		1	
9	1183511	Access window	点検窓	4P005883-1		1	
10	0907093	Roller, quick lock lever	ワンタッチ金具用ローラ	4PA51277-1		1	
11	1136096	Hinge, cover	蓋締付蝶番	4P043069-1		2	
12	1211175	Packing (cover)	パッキン (蓋)	4P006431-1		1	
13	860015	Universal nut	自在ナット	R4713188-1		2	
14	840002	Drop out prevention washer	脱落防止座金	R4718607-6		2	
15	860005	Washer, speed bolt	スピードボルト用座金	R4713334		4	
16	860011	Speed bolt	スピードボルト	R4714824-1		2	
17	874014	Patch plate nut	当板ナット	R3715992-33		2	
18	847011	Patch plate nut	当板ナット	R3715992-32		2	
19	0907101	Spacer	スペーサ	4PA51278-1		2	
20	0581213	Recording chart	記録紙	3PA43798-1		5	
21		Electronic temperature recorder	電子式温度記録計	4P038187-1	DER9601A	1	
21-3	0037855	Chart stopper ass'y	チャート押さえ組立	4PA20211-1	A5052BP	1	
21-4		Dry battery	乾電池		SUM2(JIS C8501)IEC/R14	1	市販品PURCHASE LOCALLY
21-5		Battery holder	電池ホルダー	2PA021722-9-Ti		1	
21-6		Chart shaft	チャート軸受け	2PA021722-9-SU		1	
21-9		Battery meter	メータ	2PA021722-9-Na		1	
21-11		Dry battery	乾電池		6LR61-9V	1	市販品PURCHASE LOCALLY

• When ordering the parts whose No. are not shown in the PARTS NO. column, be sure to describe DWG. NO..

• 部品番号欄が空白になっている部品は、図面番号で、指示願います。
(TR01-22)

Recorder box
レコーダーボックス

NO. 符号	PARTS NO. 部品番号	PARTS NAME 部品名称	DWG. NO. 図面番号	TYPE 形式	SPECIFICATION 仕様	QTY/UNIT 1台当りの所要数	REMARKS 備考
21-12		Toggle switch				1	

• When ordering the parts whose No. are not shown in the PARTS NO. column, be sure to describe DWG. NO..

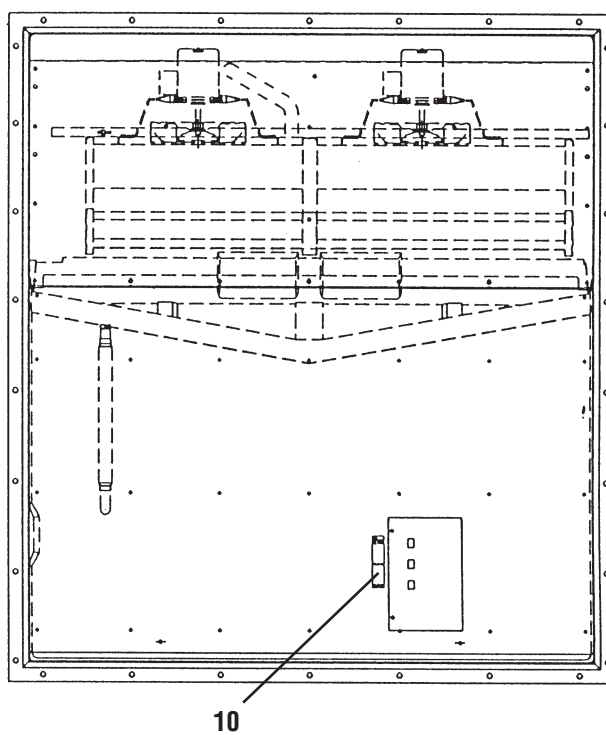
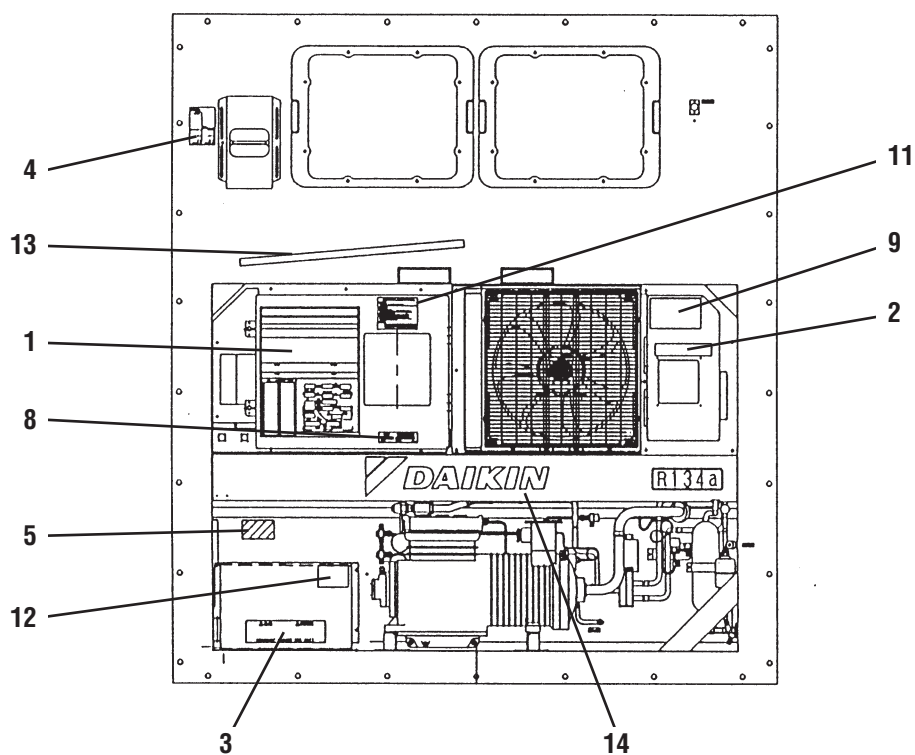
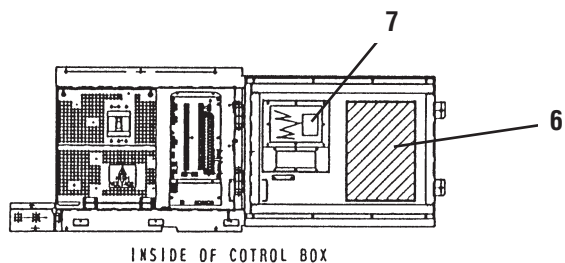
• 部品番号欄が空白になっている部品は、図面番号で、指示願います。
(TR01-22)

Recorder
レコーダ

NO. 符号	PARTS NO. 部品番号	PARTS NAME 部品名称	DWG. NO. 図面番号	TYPE 形式	SPECIFICATION 仕様	QTY/UNIT 1台当りの所要数	REMARKS 備考

• When ordering the parts whose No. are not shown in the PARTS NO. column, be sure to describe DWG. NO..

• 部品番号欄が空白になっている部品は、図面番号で、指示願います。
(TR01-22)



Parts related with the name plate
銘板関連部品

NO. 符号	PARTS NO. 部品番号	PARTS NAME	部品名称	DWG. NO. 図面番号	TYPE 形式	SPECIFICATION 仕様	QTY/UNIT 1台当りの所要数	REMARKS 備考
1	1136515	Operation name plate	操作銘板 (和・英)	1P020074-1			1	
2		Name plate, recorder box	レコーダボックス銘板	3P016113-1			1	
3	1229037	Name plate, refrigerant /oil	冷媒・オイル注意銘板	3P016114-1			1	
4		Name plate, ventilator	換気口銘板	4P016228-1			1	
5		Manufacturer's label	機械銘板	3P011526-1			1	
6	1269718	Name plate, wiring diagram	電気配線図銘板	2D006816-1			1	
7	1134829	Name plate, emergency	エマージェンシー銘板	3P016115-1			1	
8	1136508	Name plate, compressor start	圧縮機起動注意銘板	4P017393-1			1	
9		Emergency cap label	エマージェンシーキャップ銘板	3P018298-1			1	
10	1268171	Name plate, USDA	U S D A 銘板	3P009424-1	English		1	
11	1136490	G-SET mode label	G - S E T モード銘板	3P033892-1			1	
12		Name plate, cable stopper	ケーブルクランプ銘板	3PA53120-1			1	
13		Rain gutter	雨ドイ	4P039190-1			1	
14		Name plate, brand name	意匠銘板	4P039685-1	English		1	

• When ordering the parts whose No. are not shown in the PARTS NO. column, be sure to describe DWG. NO..

• 部品番号欄が空白になっている部品は、図面番号で、指示願います。
(TR01-22)

