

<https://daikin-p.ru>

DAIKIN



Marine type Container Refrigeration Unit

Service Manual · Parts List

Optional Functions

LXE10E-A27

DAIKIN INDUSTRIES, LTD.

TR04-05

Covered Models

Regarding the features and operation of the unit, this service manual describes the items which are different from those of the service manual TR01-09A.

NO.	Item	Different points from service manual (Maintenance and Repair)
1☆	Dehumidification function	Refer to the details in the following pages.
2☆	Trans FRESH (PROVISION)	Provided

For the ☆ marked items, refer to the details in the following pages.

CONTENTS

Safety Precautions

- Danger3
• Warning4
• Caution5

1. Introduction1-1

- 1.1 Operation range1-1
1.2 Basic Names of components1-1
1.3 Basic operation of refrigeration unit1-2
1.3.1 Starting operation1-2
1.3.2 Checking during operation1-3
1.3.3 Procedure after operation1-3
1.3.4 Adjust the ventilation1-4

2. General description2-1

- 2.1 Main specifications2-1
2.2 Names of components2-2
2.2.1 Outside2-2
2.2.2 Inside2-4
2.2.3 Control box2-6
2.3 Set point of functional parts and protection devices...2-9
2.4 Operating pressure and running current2-10
2.5 Operation modes and control2-14
2.5.1 Frozen mode2-15
2.5.2 Chilled and partial frozen mode2-17
2.5.3 Defrosting mode2-19
2.5.4 Dehumidification mode (Optional)2-22
2.5.5 Common control2-23

3. Electronic Controller3-1

- 3.1 Function table3-1
3.2 Basic operation of electronic controller3-3
3.2.1 Control panel3-3
3.2.2 Operation mode and control3-5
3.3 Operation procedure3-6
3.3.1 Operation procedure flow chart3-6
3.3.2 Mode operation procedure3-9
3.3.2.1 Current (Operation state) indication mode ...3-9
3.3.2.2 Operation setting mode3-10
3.3.2.3 Battery mode3-11
3.3.2.4 Mode operation3-12
3.3.2.5 LED display light-OFF mode3-14
3.3.2.6 Sensor indication mode3-15
3.3.2.7 Temperature record scroll mode3-18
3.3.2.8 Alarm record scroll mode3-21
3.3.2.9 PTI record scroll mode3-23
3.3.2.10 Optional function setting mode3-26
3.3.2.11 Basic function setting mode3-27
3.3.2.12 Optional condition setting mode3-29
3.3.2.13 Input data mode3-31
3.3.2.14 Controller software download mode...3-32
3.4 Alarm display and back-up function3-33
3.4.1 Alarm list3-33
3.4.2 Back-up operation at sensor malfunction...3-34
3.5 Battery3-36
3.5.1 Specifications3-36
3.5.2 Function3-37
3.6 Information interchange with personal computer...3-37
3.6.1 Data logging3-38
3.6.2 Software configuration3-39
3.7 Inspection procedure for the electronic controller...3-41
3.8 Controller replacement and the initial setting...3-42
3.8.1 Controller replacement3-42
3.8.2 Initial setting & operation procedure3-43
3.8.3 Initial setting table into spare controller ...3-44
3.9 PTI (Pre-Trip Inspection) and periodic inspection...3-45
3.9.1 Inspection item3-46
3.9.2 Automatic PTI (Pre-Trip Inspection)3-49
3.9.2.1 PTI selection mode3-50
3.9.2.2 Short PTI (S.PTI)3-51
3.9.2.3 Full PTI (F.PTI)3-52
3.9.2.4 Alarm list during PTI (Pre-Trip Inspection) ...3-53
3.9.2.5 Manual check (M.CHECK)3-54

- 3.10 Chartless function3-56
3.10.1 Chart indication function3-56
3.10.2 P code (Pull down time indication)3-58
3.10.3 Chartless code display function3-59
3.10.3.1 List of chartless code3-59
3.10.3.2 H-code3-60
3.10.3.3 d-code:3-62
3.11 Communication modem3-63

4. Service and Maintenance4-1

- 4.1 Maintenance service4-1
4.1.1 Collection of refrigerant4-1
4.1.2 Gauge manifold4-1
4.1.3 Automatic pump down4-3
4.1.4 Refrigerant recovery and charge4-5
4.2 Main components and maintenance4-9
4.2.1 Scroll compressor4-9
4.2.2 Fan and fan motor4-11
4.2.3 PT and CT board (EC9756)4-12
4.2.4 Electronic expansion valve4-14
4.2.5 Suction modulation valve4-15
4.2.6 Drier4-16
4.2.7 Solenoid valve4-17
4.2.8 Discharge pressure regulating valve4-18
4.2.9 Check valve4-18
4.2.10 High-pressure switch (HPS)4-19
4.2.11 Low pressure transducer (LPT)4-19
4.2.12 High pressure transducer (HPT)4-20
4.2.13 Air-cooled condenser and evaporator ...4-20
4.2.14 Fusible plug4-21
4.2.15 Liquid/moisture indicator4-21
4.2.16 Evacuation and dehydrating4-22

5. Optional Devices5-1

- 5.1 Electronic temperature recorder5-1
5.2 USDA transportation5-3
5.2.1 Type of USDA sensor/receptacle5-3
5.2.2 Initial setting5-3
5.2.3 USDA sensor calibration5-3
5.2.4 USDA transportation requirement5-3
5.2.5 USDA report5-3
5.3 TransFRESH5-5

6. Troubleshooting6-1

- 6.1 Refrigeration system and electrical system...6-1
6.2 Alarm codes on electronic controller6-4
6.3 Troubleshooting for automatic PTI (J-code) ...6-9
6.4 Diagnosis based on the recording chart6-11
6.5 Emergency operation6-14
6.5.1 Emergency operation of controller6-14
6.5.2 Short circuit operation of controller6-15
6.5.3 Opening adjustment of electronic expansion valve...6-16
6.5.4 Opening adjustment of suction modulation valve: ...6-17
6.5.5 Automatic Back up for supply/ return air temperature sensors6-18
6.6 Troubleshooting for automatic PTI (J-code)...6-19

7. Appendix7-1

- 7.1 Standard tightening torques for bolts7-1
7.2 Standard tightening torque for flare nut7-1
7.3 Resistance of motor coil and solenoid valve coil...7-1
7.4 HFC134a, temperature-vapor pressure characteristics table...7-2
7.5 Temperature conversion table and temperature sensor (SS/RS/DSS/DRS/RSS/RRS/EIS/EOS/SGS/AMBS) characteristics table7-3
7.6 Temperature conversion table and temperature sensor (DCHS) characteristics table7-4
7.7 High pressure transducer characteristics table...7-4
7.8 Low pressure transducer characteristics table...7-4
7.9 Piping diagram7-5
7.10 Pilot lamps and monitoring circuit7-6
7.11 Fuse protection table7-7
7.12 Schematic wiring diagram7-9
7.13 Stereoscopic wiring diagram7-10

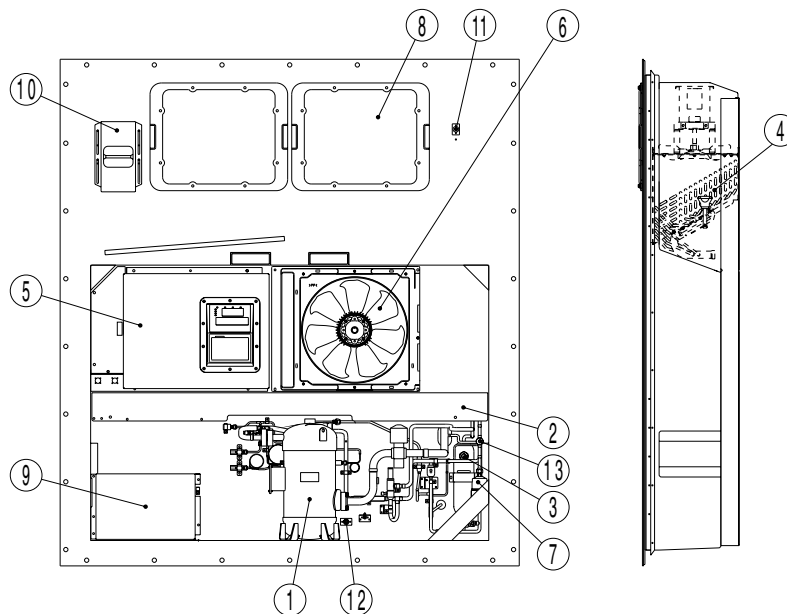
1. Introduction

1.1 OPERATION RANGE

Use the units within the following range.

Item	Operation range
Ambient temperature range	-30°C to +50°C (-22°F to + 122°F)
Inside temperature range	-30°C to +30°C (-22°F to + 86°F)
Voltage	50Hz: 380V/400V/415V, 60Hz: 440V/460V Voltage fluctuation rate should be within $\pm 10\%$
Vibration and shock	2G

1.2 BASIC NAMES OF COMPONENTS



- | | |
|---|---|
| ① Compressor | ⑧ Access panel |
| ② Air-cooled condenser | ⑨ Storage space for power cable |
| ③ Receiver | ⑩ Ventilator |
| ④ Evaporator | ⑪ Sampling port (Return) (Use this port to measure the inside return air temperature.) |
| ⑤ Control box | ⑫ Gas sampling port (This is used to measure the inside supply air temperature and inside CO ² concentration.) |
| (Outside: switch, manual defrost switch, monitoring receptacle) | ⑬ Liquid moisture indicator |
| (Inside: circuit breaker) | |
| ⑥ Condenser fan | |
| ⑦ Drier | |

2. General description

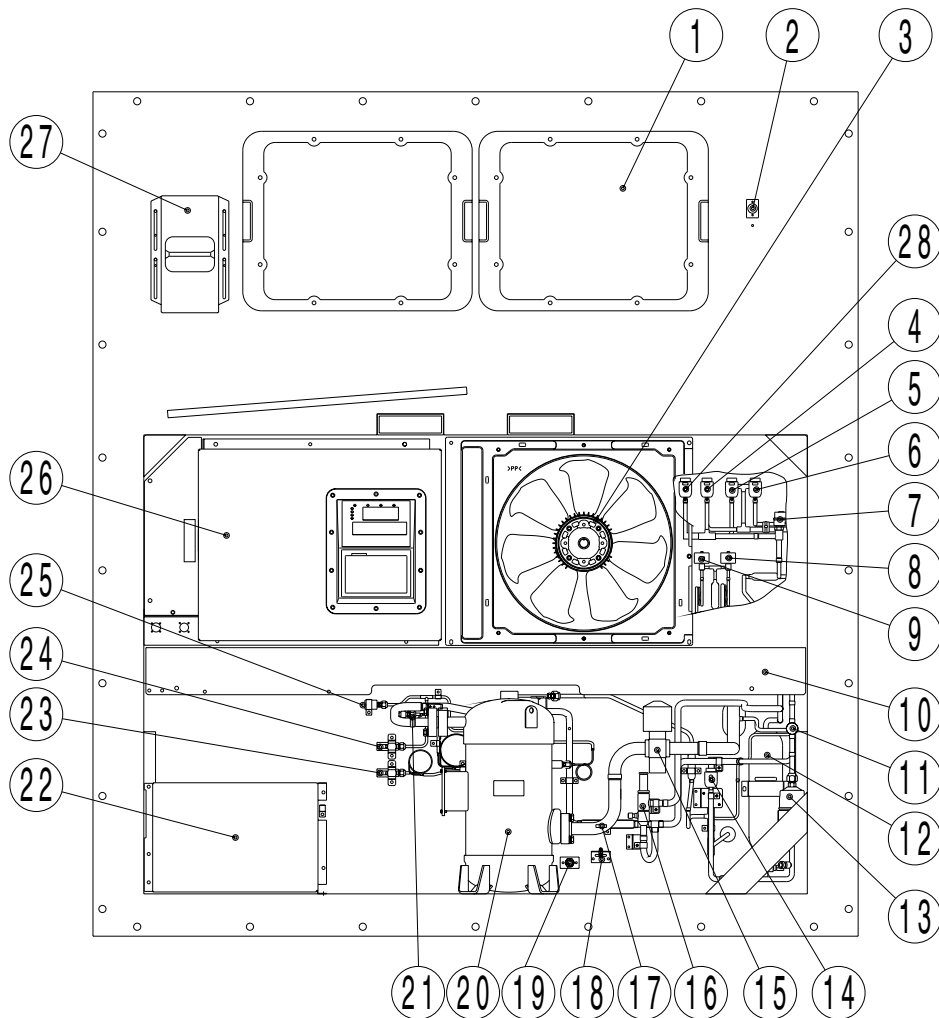
2.1 Main specifications

Item	Model	LXE10E
Condenser cooling system		Air cooled type
Controller		DECOS III C
Power supply		AC 3-phase 380V/400V/415V 50Hz, 440V/460V 60Hz
Compressor		Hermetic scroll type (Motor output: 5.5kW)
Evaporator		Cross fin coil type
Air-cooled condenser		Cross fin coil type
Evaporator fan		Propeller fan
Evaporator fan motor		Three-phase squirrel-cage induction motor
Condenser fan		Propeller fan
Condenser fan motor		Three-phase squirrel-cage induction motor
Defrosting	System	Hot-gas defrosting system
	Initiation	Dual timer, on-demand defrost and manual switch
	Termination	Detecting the temperature of evaporator outlet pipe and return air
Refrigerant flow control		Electronic expansion valve
Capacity control		Capacity control with hot gas bypass and suction modulating valve
Protective devices /Safety devices		Circuit breaker, PT/CT board (for over current protection). Compressor thermal protector Condenser fan-motor thermal protector Evaporator fan-motor thermal protector High-pressure switch, Fusible plug, Fuse (10A, 5A)
Refrigerant (charged amount)		R134a : 4.6 (kgf)
Refrigerant oil (charged amount)		IDEMITSU, Daphne hermetic oil FVC 46D : 2.2(ℓ)
Weight		495(kgf)

2.2 Names of components

2.2.1 Outside

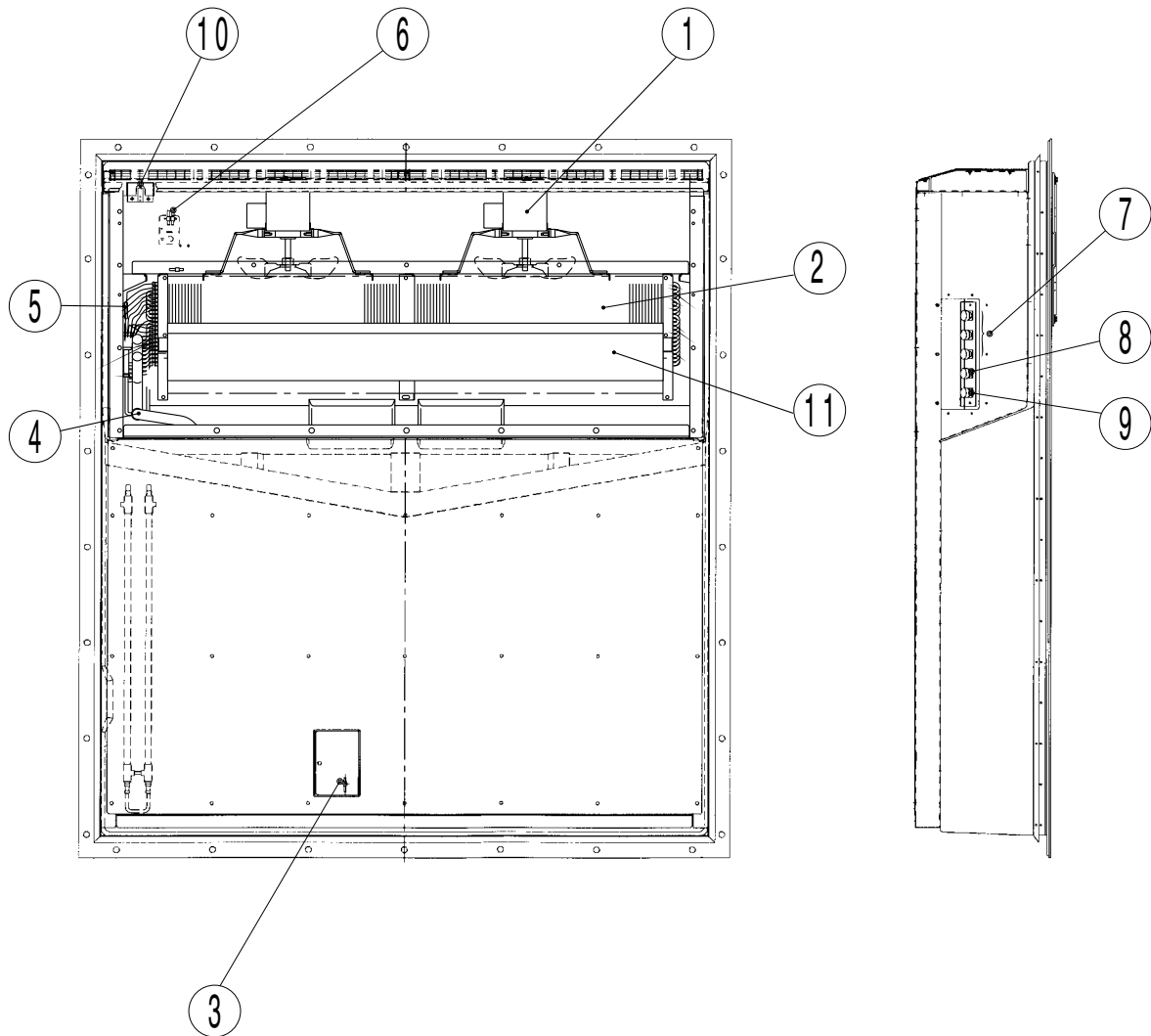
●LXE10E



- | | |
|--|--|
| ① Access panel | ⑩ Air-cooled condenser |
| ② Thermometer check port (Return air) | ⑪ Liquid/moisture indicator |
| ③ Condenser fan motor (CFM) | ⑫ Liquid receiver |
| ④ Hot-gas solenoid valve (HSV) | ⑬ Drier |
| ⑤ Defrost solenoid valve (DSV) | ⑭ Liquid solenoid valve (LSV) |
| ⑥ Discharge gas by-pass solenoid valve (BSV) | ⑮ Suction modulating valve (SMV) |
| ⑦ Electronic expansion valve (EV) | ⑯ Discharge pressure regulating valve (DPR) |
| ⑧ Economizer solenoid valve (ESV) | ⑰ Compressor suction pipe temperature sensor (SGS) |
| ⑨ Injection solenoid valve (ISV) | ⑱ Ambient temperature sensor (AMBS) |
| | ⑲ Thermometer check port (Supply air) |
| | ⑳ Compressor (MC) |
| | ㉑ Discharge pipe temperature sensor (DCHS) |
| | ㉒ Storage space for power cable |
| | ㉓ Low pressure transducer (LPT) |
| | ㉔ High pressure transducer (HPT) |
| | ㉕ High pressure switch (HPS) |
| | ㉖ Control box |
| | ㉗ Ventilation |
| | ㉘ Reheat coil solenoid valve (RSV) |

2.2.2 Inside

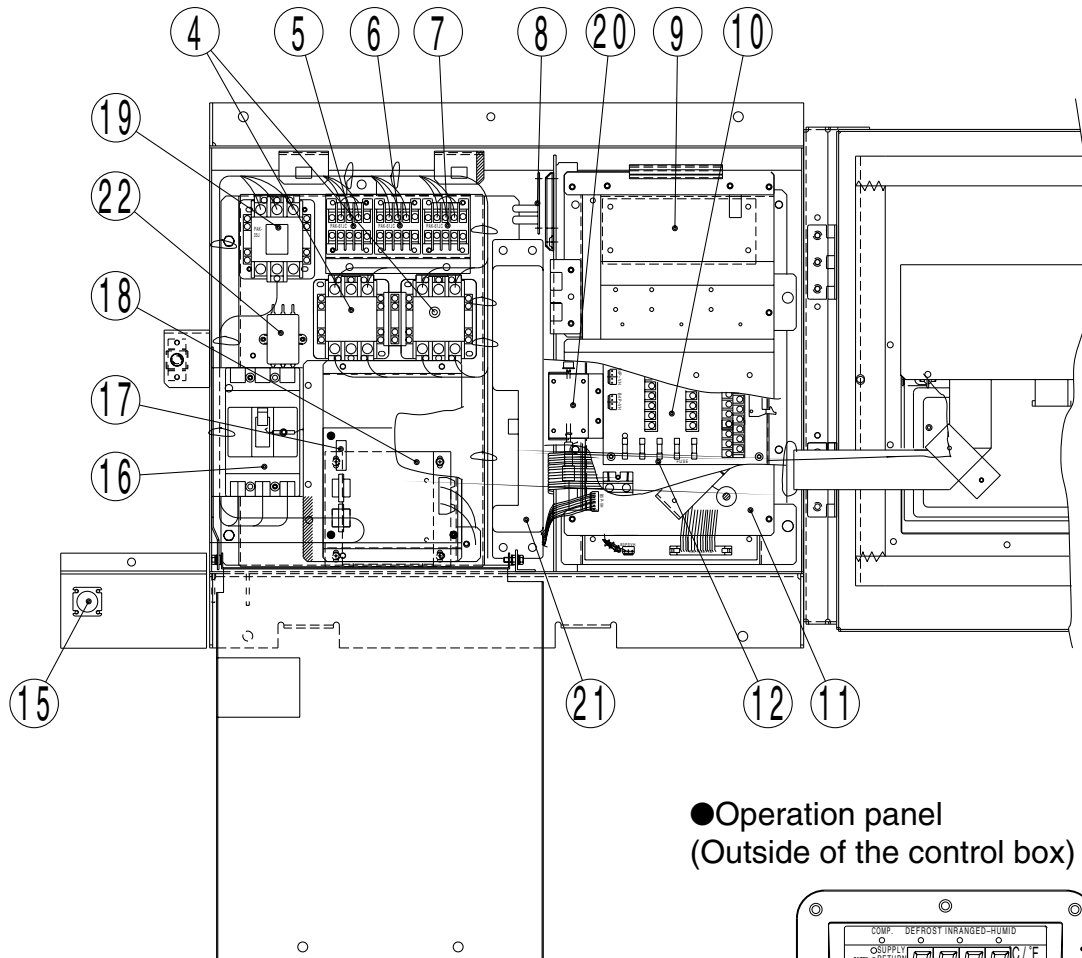
●LXE10E



- ① Evaporator fan motor (EFM)
- ② Evaporator
- ③ Supply air temperature sensor (SS)
Data recorder supply air temperature sensor (DSS)
Recorder supply air temperature sensor (RSS, optional)
- ④ Evaporator outlet pipe temperature sensor (EOS)
- ⑤ Evaporator inlet pipe temperature sensor (EIS)
- ⑥ Return air temperature sensor (RS)
Data recorder return air temperature sensor (DRS, optional)
Recorder return air temperature sensor (DRS, optional)
- ⑦ USDA receptacle (optional)
- ⑧ Cargo temp. receptacles
- ⑨ P.C. Port receptacles
- ⑩ Humidity sensor
- ⑪ Reheat coil

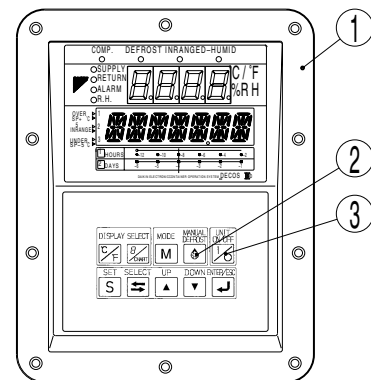
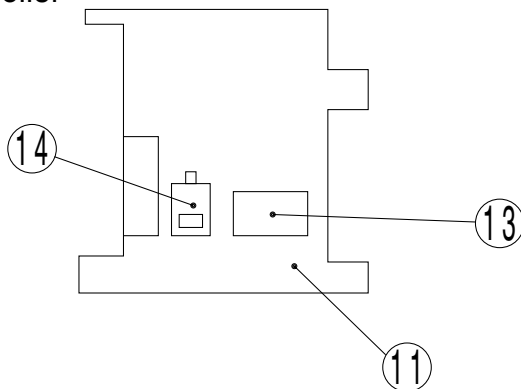
2.2.3 Control box

● Inside of the control box



● Operation panel (Outside of the control box)

● Controller



- | | |
|--|---|
| ① Controller operation panel (EC3, 4) | ⑫ Fuse (Fu1-6) |
| ② MANUAL DEFROST key | ⑬ Rechargeable battery (BAT) |
| ③ UNIT ON/OFF key | ⑭ Voltage indicator |
| ④ Phase correction contactor (PCC1,2) | ⑮ Personal computer receptacle |
| ⑤ Magnetic contactor for high speed evaporator fan (EFH) | ⑯ Circuit breaker (CB) |
| ⑥ Magnetic contactor for low speed evaporator fan (EFL) | ⑰ PT/CT board |
| ⑦ Magnetic contactor condenser fan (CFC) | ⑱ Transformer (TrC), control circuit |
| ⑧ Reverse phase protection device (RPP) | ⑲ Magnetic contactor for compressor (CC) |
| ⑨ Adopter PCB (EC6) | ⑳ P.C.B for humidity sensor (HUS, optional) |
| ⑩ Terminal block board (TB1) | ㉑ Modem (RCD, optional) |
| ⑪ Controller CPU / IO board (EC1, 2) | ㉒ Noise filter (NF, optional) |

2.3 Set point of functional parts and protection devices

	Device name		Actuation	Set point	Detection method	Symbol		
Pressure switch	High-pressure switch		OFF ON	2400kPa (24.47kg/cm ²) 1900kPa (19.37kg/cm ²)	High-pressure switch	HPS		
	Water pressure switch (optional)		OFF ON	98kPa (1.0kg/cm ²) 39kPa (0.4kg/cm ²)	Water pressure switch	WPS		
Electronic controller	Mode selection	Chilled mode		ON	+30.0°C to -2.9°C (+86.0°F to +26.8°F)	Set point temperature	EC	
		Partial frozen mode			-3.0°C to -10.0°C (+26.6°F to +14.0°F)			
		Frozen mode			-10.1°C to -30.0°C (+13.8°F to -22.0°F)			
	Delay timer	Fan	Change-over for Hi/Lo		ON	10 seconds		
			After defrosting			60 seconds		
		Compressor	At starting			3 seconds		
	Defrosting timer	Initiation	Short		ON	4 hours ※1		
			Long			3, 6, 9, 12, 24 and 99 hours(※2)		
		Back-up		OFF	90 minutes			
		In-range masking			90 minutes ※3			
		Out-range guard		ON	30 minutes			
	Defrosting termination set point			OFF Reset	30°C (86°F) 15°C (59°F) ※4	Evaporator outlet temperature sensor Return air temperature sensor	EOS RS, DRS	
	High-pressure control for Condenser fan (※Frozen only)			OFF ON	800kPa (8.2kg/cm ²) ※7 1000kPa (10.2kg/cm ²)	High-pressure transducer	HPT	
	Discharge gas temperature protection set point	Pull down		OFF	135°C (275°F)	Discharge gas temperature sensor	DCHS	
		LPT>50kpa		Reset	After 3 minutes elapsed			
	LPT≤50kpa		OFF	128°C (262°F)				
			Reset	After 3 minutes elapsed				
Overcurrent protection set point (Cutout)			OFF Reset	26.0A After 3 minutes elapsed	PT/CT board	CT2		
Current control			Control	50Hz : 16.1A 60Hz : 17.4A	PT/CT board	CT1		
High pressure control			Control	2300 to 2350 kPa (23.5 to 24.0 kg/cm ²)	High pressure sensor	HPT		
Current	Circuit breaker		OFF	30A		CB		
	Fuse		OFF	5A, 10A ※5		Fu		
Motor	Evaporator fan motor thermal protector		OFF	132°C (270°F)				
	Condenser fan motor thermal protector		OFF	135°C (275°F)		MTP		
	Compressor motor thermal protector		OFF	140°C (284°F)		CTP		

(※1) When Return air (RS) is lower than -20°C, defrost starts every 6 hours.

(※2) When "99" hours is selected, refer to on demand defrost in 2.5.3. (TR01-09A)

(※3) When Inside set point is -20.0°C or Lower, In-range masking is 120min.

(※4) If defrost is initiated when inside temperature is out range area. (= In-range LED is not light), this condition is added to finish defrost. Refer to "Defrosting termination" in 2.5.3. (TR01-09A)

(※5) Refer to "Fuse Protection table" in 7.11. (TR01-09A)

(※7) When dehumidification is ON in dehumidification mode, the setting figure may change between 900~2100kPa automatically (Refer to "High Pressure Control" Page 2-17/TR01-09A)

2.4 OPERATION MODES AND CONTROL

The relationship between the operation mode and setting temperature is as follows.

Operation mode	Setting temperature	Control sensor	Operation description
Frozen mode	-10.1°C to -30.0°C (+13.8°F to -22.0°F)	Return air temperature sensor	Compressor ON/OFF control
Partial frozen mode	-3.0°C to -10.0°C (+26.6°F to +14°F)	Return air temperature sensor	Capacity control operation with suction modulating valve and hot-gas bypass control
Chilled mode	+30.0°C to -2.9°C (+86°F to +26.8°F)	Supply air temperature sensor	Capacity control operation with suction modulating valve and hot-gas bypass control
Defrosting mode	–	–	Hot-gas defrosting with refrigerant metering control

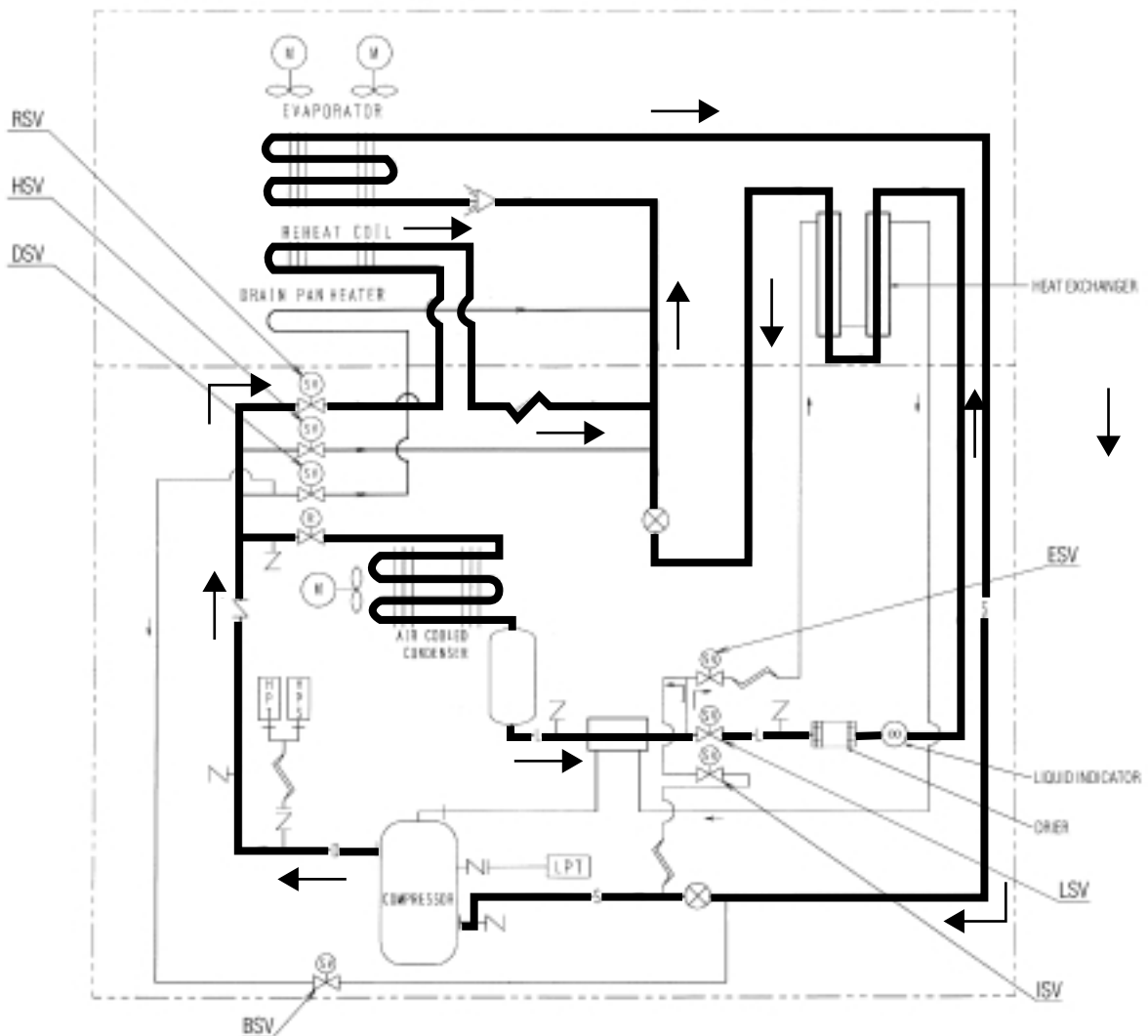
3 Dehumidification mode

The unit have dehumidification control by a reheat coil, which is under the evaporator coil. To execute dehumidification, controller setting is required. (Refer to Page 3-12)


In dehumidification, the Reheat Solenoid Valve (RSV) opens to give high pressurized refrigerant to reheat coil. The "DEHUMID" LED lamp will light up.

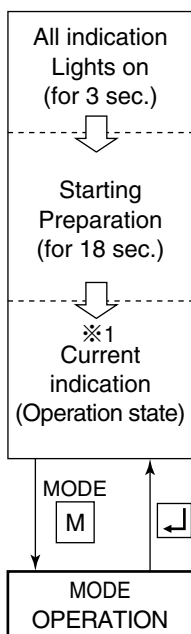
The following setting can be made:

- 1) Dehumidification range: 60%RH–95%RH



4. Mode Operation

Press the  key in current indication mode to go to MODE operation.



In mode operation, the following settings/operations are available.

1. Generator setting

Total power consumption can be reduced to desired Max setting for the specific generators set or power facilities.

The selections are "off (No limit)", "15" "14" "13" "12" "11" KVA.

2. Automatic pump down

Pump down can be executed automatically.

(Refer to "Automatic pump down" in 4.1.3/TR01-09A)

3. Dehumidification mode setting

Dehumidification mode can be executed in this mode (M. Dehumidification mode control in 2.5.4/TR01-09A)

When "Dehumidification" is set to "on", it is possible to change the following set from default.

① Inside humidity : 95% ~60% RH

5 Alarm display and back-up function

5.1 Alarm list

Alarm grouping	Alarm code	Alarm content	Action with alarm	
Permanent stop	F101	HPS activated within 30 seconds after operation start or protection device activated 5 times at start-up operation or Fuse 1 brown (Refer Page 7-7).	Unit stops	
	F109	Low- pressure drops to-85kPa or lower within 2 seconds after operation start.	Unit stops	
	F111	HPS does not activate when it reaches to the set value.	Unit stops	
	F301	Temperature setting required (SRAM failure)	Unit stops	
	F401	Return/Supply air sensor malfunction (at chilled mode)	Unit stops	
	F403	Return/Supply air sensor malfunction (at partial frozen mode)	Unit stops	
	F603	Suction modulating valve (SMV) does not fully close contrary to the designation or initial setting of the controller is wrong.	Unit stops	
	F701	Abnormal high voltage (over 600V)	Unit stops	
	F705	S phase became open phase	Unit stops	
	F803	Abnormalities, which make it impossible to continue operation (Note2.)	Unit stops	
Display alone or restartable alarm	Protection device activation	E101	High-pressure switch activated during normal operation.	Restart after 3-minute
		E103	CTP or electronic OC activated during normal operation.	Restart after 3-minute
		E105	Micro processor OC activated during normal operation.	Restart after 3-minute
		E107	DCHS became abnormal high temperature during operation. In the event the refrigerant circulation rate is low, the unit will stand by for three minutes to restart then.	Restart after 3-minute If this error occurs two times, F803 error will be detected to stop the unit.
		E109	Low pressure drops to-90kPa or lower for 2 seconds or longer successively during normal operation.	Restart after 3-minute
	Control error	E201	Pump down is not completed within 90 seconds.	Only alarm display
		E203	Overcool protection activates in the chilled or partial frozen mode. (Control temperature \leq SP-3°C or for 3 minutes)	Restart after 3-minutes
		E205	Evaporator for motor failure	Only alarm display
		E207	Defrosting is not completed within 90 minutes	Only alarm display
	Printed-circuit board failure	E303	Humidity setting required (SRAM failure)	Only alarm display
		E305	Defrost timer setting required (SRAM failure)	Only alarm display
		E307	Calendar setting required (SRAM failure)	Only alarm display
		E311	Trip-start setting required (SRAM failure)	Only alarm display
		E315	PT/CT board failure	Restart after 3-minutes
		Sensor alarm	E401	Supply air temperature sensor (SS) malfunction
	E402		Data recorder supply air temperature sensor (DSS) malfunction	Back-up operation
	E403		Return air temperature sensor (RS) malfunction	Back-up operation
	E404		Data recorder return air temperature sensor (DRS) malfunction	Back-up operation
	E405		Discharge air temperature sensor (DCHS) malfunction	Only alarm display
	E406		Suction gas temperature sensor (SGS) malfunction	Back-up operation
	E407		Evaporator inlet temperature sensor (EIS) malfunction	Back-up operation
	E409		Evaporator outlet sensor (EOS) malfunction	Back-up operation
	E411		Ambient sensor (AMBS) malfunction	Only alarm display
	E413		Low pressure transducer (LPT) malfunction	Back-up operation
	E415		High pressure transducer (HPT) malfunction	Back-up operation
	E417		Voltage sensor (PT1) malfunction	Only alarm display
	E421		Current sensor (CT1) malfunction	Only alarm display
E423	Current sensor (CT2) malfunction		Restart after 3-minutes	
E425	Pulp temperature sensor (USDA1) malfunction		Only alarm display	
E427	Pulp temperature sensor (USDA2) malfunction	Only alarm display		
E429	Pulp temperature sensor (USDA3) malfunction	Only alarm display		
E431	Humidity sensor (HuS) malfunction	Only alarm display		
E433	Cargo temperature sensor (CTS) or box temperature sensor (CBS) malfunction	Only alarm display		
Electronic functional part alarm	E603	Suction modulating valve (SMV) malfunction or driver malfunction	Back-up operation	
	E607	MDS (sheet key) malfunction	Only alarm display	
Power supply alarm	E707	Momentary power failure	Restart after 3-minutes	
Other alarm	E801	Backup battery replacement date exceeded	Only alarm display	

- Note 1) The alarm LED does not blink when E code alarm is generated.
To check if any alarm generates, use alarm indication function in the section "1. Current indication mode" of "3.3.2 Mode operation procedure.
- 2) In the event error E101, E103, E107, or E109 occurs 10 times, the system will go to 4-hour standby mode.
- 3) In case of sensor malfunction, the judgment for sensor malfunction does not perform for 3 minutes before the pressure or temperature reaches to the specified value.

6 Battery

6.1 Specifications

DECOS IIIc controller can use two types of batteries; Alkaline or Rechargeable (Optional). It is not possible to exchange the type of battery afterwards.

The battery is positioned on CPU & I/O box in controller box.

Alkaline: 9V block battery. (This can be purchased locally.)

Rechargeable: DAIKIN original rechargeable battery

6.2 Function

This battery is used without main power supply for the following functions.

1) Display wake up (Refer to chapter 3.3.2) page 3-11.

Setting/Display the following items on the LCD display.

<Display>

Temperature on the return air sensor

Temperature on the supply air sensor

<Setting change>

Inside temperature, defrosting interval, dehumidifying set (Optional), Unit ON/OFF

2) USDA data log

USDA sensors data log every 1 hour

Note) When the Alkaline battery is equipped, it must be replaced for a new every PTI, when USDA is used.

3) Trip data log

Trip data; Setting point, Supply air, Return air, Humidity and time is logged every 1 hour after power off until battery run out. (Min. 3 days)

6.3 Battery check

Alkaline battery: Press S key to confirm the Battery mode workable.

When the power is disconnected.

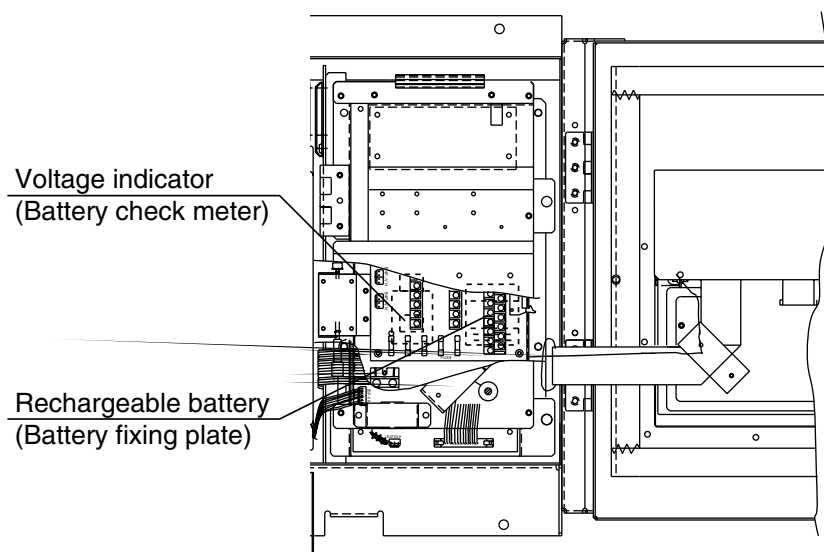
Rechargeable battery: Press "Battery check meter"

Green: Operatable

Red: Replace battery

6.4 Battery replacement (Alkaline and Rechargeable battery)

Detach the cover of battery and replace the battery

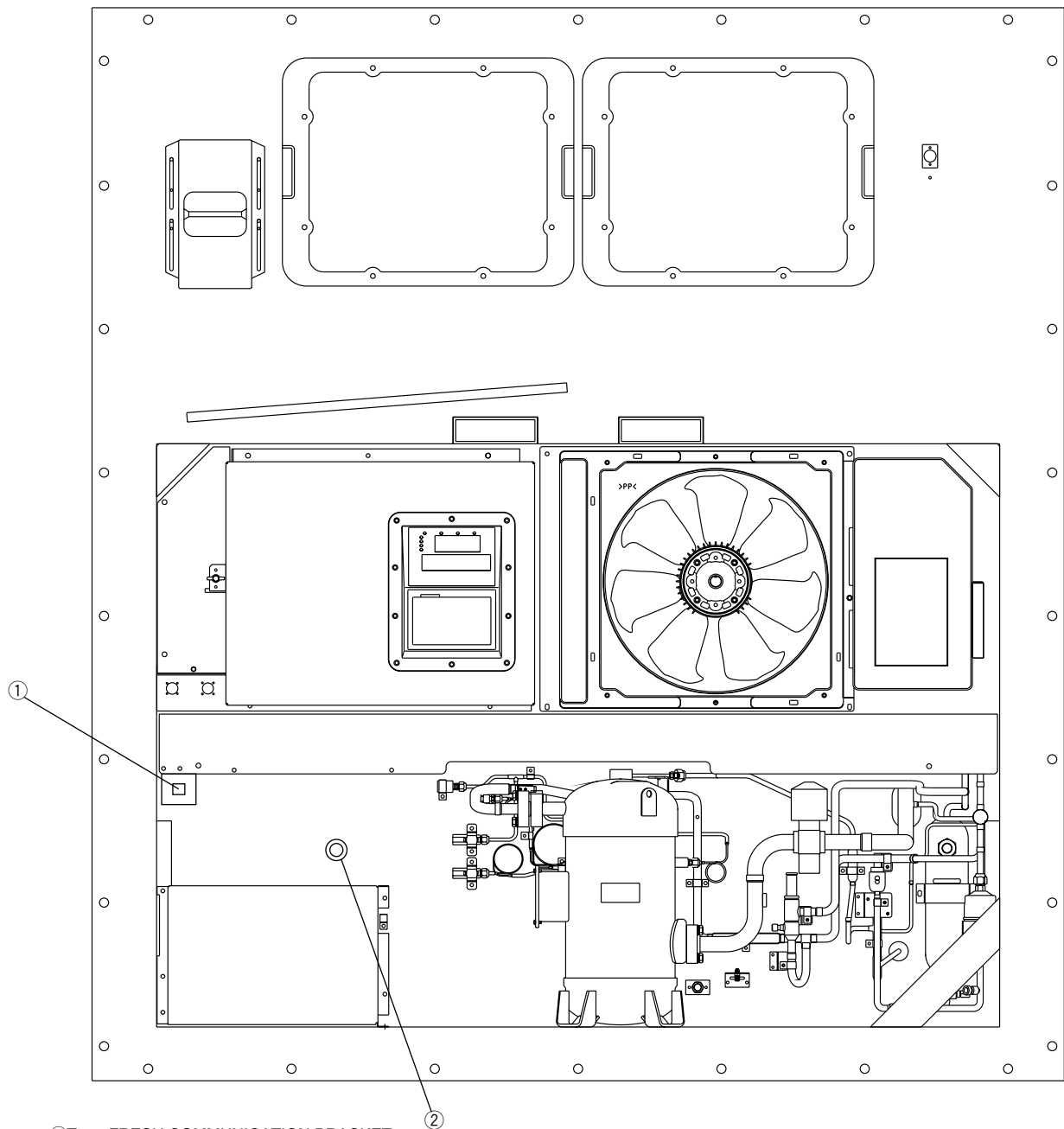


7 TransFRESH

Attachment for the TransFRESH CA devices are provided to control the internal atmosphere (quantity of O₂ and CO₂).

Use the CA devices according to the Operation Manual supplied by TransFRESH. The controller and sensor included in the CA devices are installed by the TransFRESH's agents before each transportation.

- An example of installation of CA devices, outside.



① TransFRESH COMMUNICATION BRACKET

② TransFRESH Single purge port

※A2, A3 cables (provision only) are provided.

However, terminal connections are not performed in the control box.

8 Electronic expansion valve

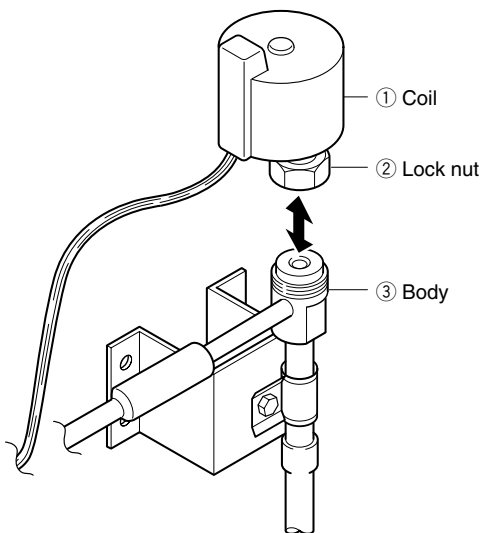
- Model Coil : EBM-MD12DM-1
Body : EDM-B804DM-1

This unit adopts an electronic expansion valve. The electronic expansion valve controls the optimum refrigerant flow rate automatically, using the temperature sensor at the evaporator inlet and outlet pipes.

In case of emergency including controller malfunctions, refer to the chapter of troubleshooting, section 6.5, Emergency operation.

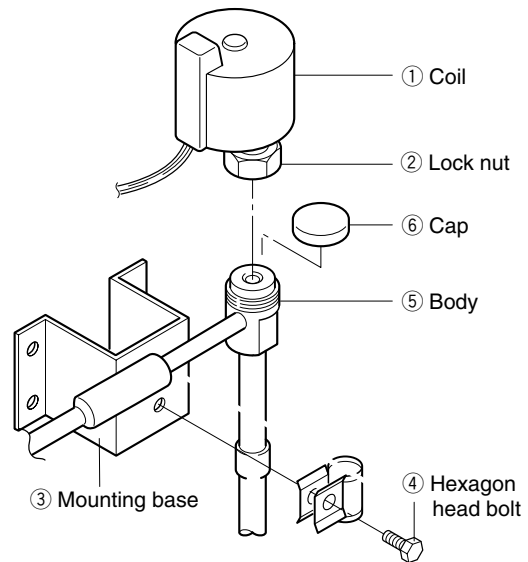
(1) Replacing the coil

- ① Loosen the lock nut, then remove the coil from the body.
- ② Install a new coil. The tightening torque for installation is 6.9 to 16.7 N · m (70 to 170 kgf · cm).
- ③ Restore the binding bands and the lead wire into the original state.
- ④ After replacing, carry out refrigerant leakage check, and make sure that there are no leaks.

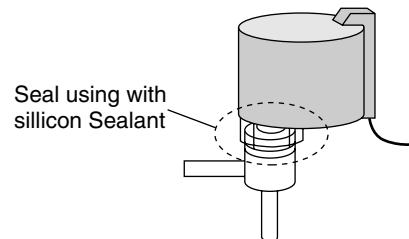


(2) Replacing the body

- ① Loosen the lock nut, then remove the coil.
- ② Remove the hexagonal head bolts, and cut the pipe on the body, then remove remaining pipes from brazing parts.
- ③ Connect a new body to the pipes. Be sure to conduct brazing work while cooling the body below 120°C (248°F) by using wet cloths.
- ④ Fix the body to the mounting base.
- ⑤ Remove the cap, and mount the coil with the tightening torque of 6.9 to 16.7 N · m (70 to 170 kgf · cm).
- ⑥ After replacing, carry out refrigerant leakage check, and make sure that there are no leaks.

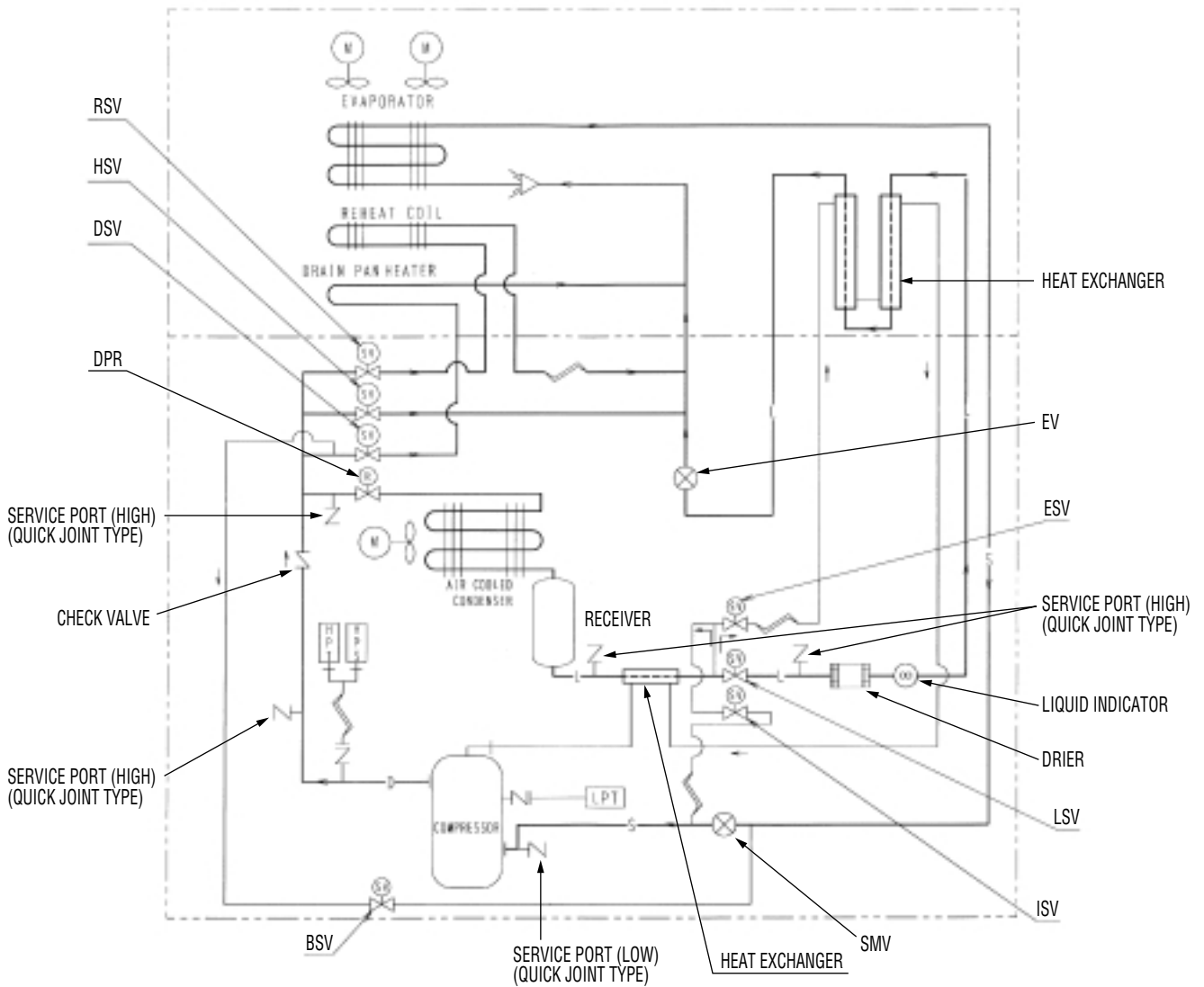


- ⑦ Apply a silicon sealant to the lock nut section.



9. APPENDIX

9.1 Piping diagram



- | | | |
|-------------------------------|---|----------------------------------|
| EV:Electronic Expansion Valve | SMV:Suction Modulation Valve | DPR:Discharge pressure regulator |
| LSV:Liquid Solenoid Valve | HSV:Hot Gas Solenoid Valve | |
| DSV:Defrost Solenoid Valve | ISV:Injection Solenoid Valve | |
| ESV:Economizer Solenoid Valve | BSV:Discharge Gas Bypass Solenoid Valve | |

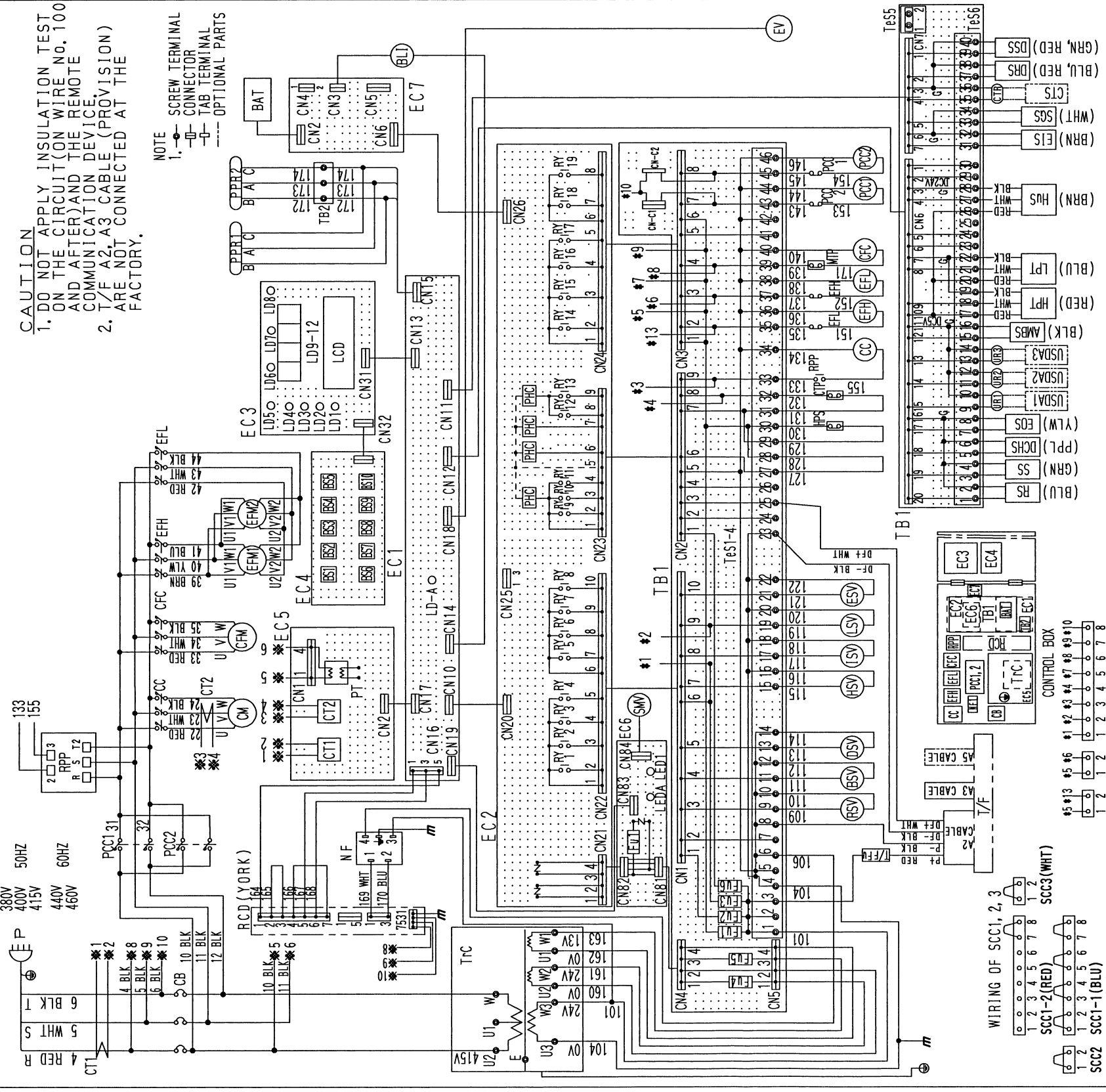
<https://daikin-p.ru>

9.2 Schematic wiring diagram

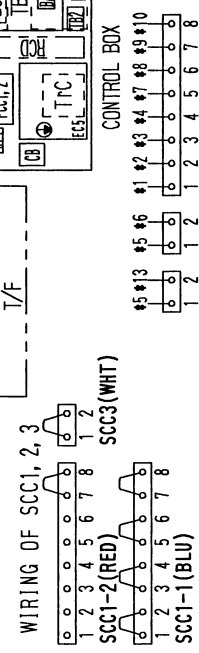
CONTAINER REFRIGERATION UNIT WIRING DIAGRAM

CAUTION
 1. DO NOT APPLY INSULATION TEST ON THE CIRCUIT (ON WIRE No. 100 AND AFTER) AND THE REMOTE COMMUNICATION DEVICE. T/F A2, A3 CABLE (PROVISION) ARE NOT CONNECTED AT THE FACTORY.

NOTE
 1. SCREW TERMINAL CONNECTOR
 2. TAB TERMINAL
 3. OPTIONAL PARTS



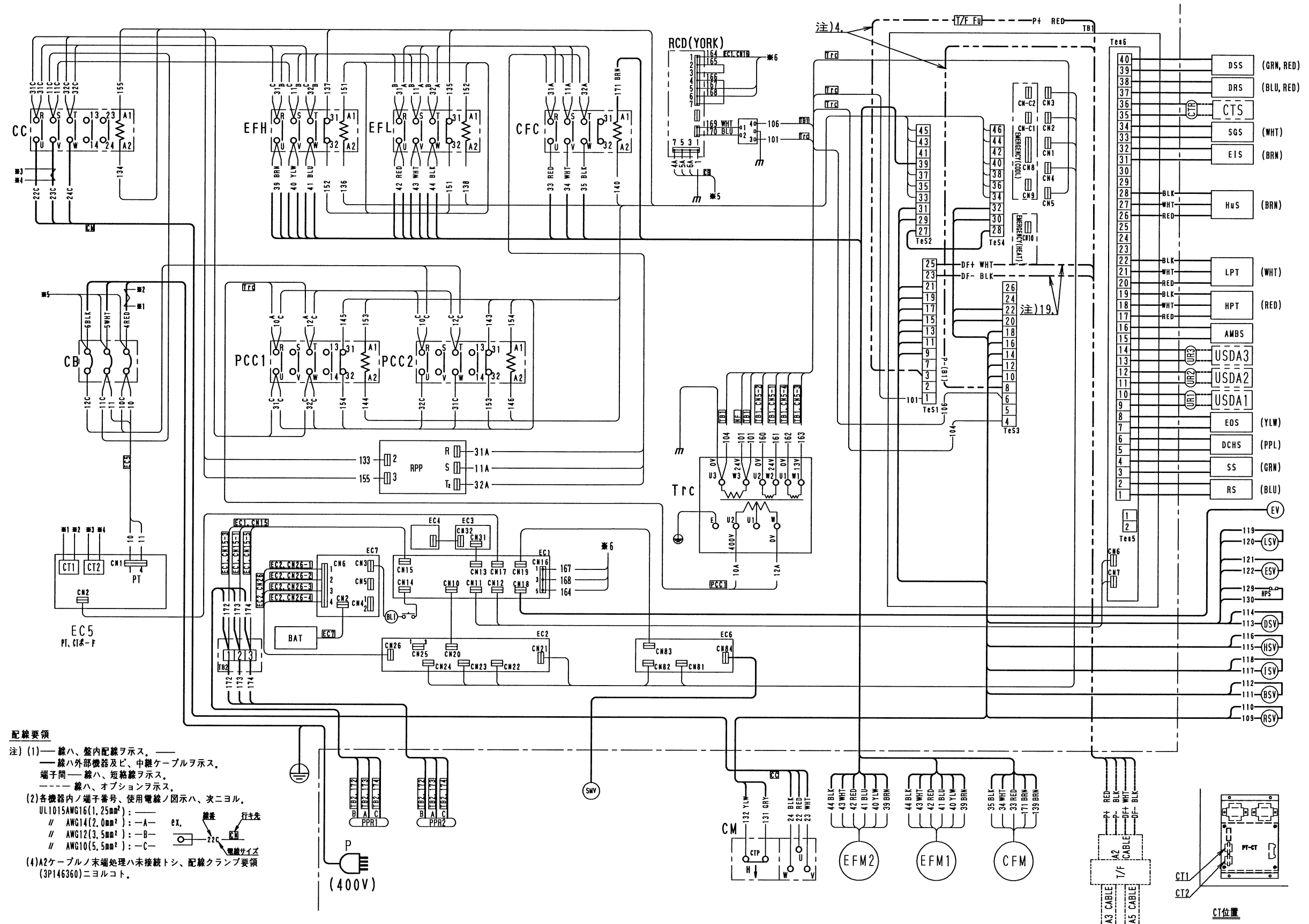
NOTE
 2. () MEANS DISTINGUISHING TAPE COLOR AT END FOR SENSOR, EMERGENCY



AMS	AMBIENT TEMP. SENSOR	EC6	ADAPTER BOARD	LD5	LIGHT-EMITTING DIODE (COMP)	SCC1-1, 2	SHORT CIRCUIT CONNECTOR
BAT	BATTERY	EC7	POWER SUPPLY BOARD	LD6	LIGHT-EMITTING DIODE (DEFROST)	SCC2	SHORT CIRCUIT CONNECTOR
BL	BATTERY LEVEL INDICATOR	EFH	HIGH SPEED EVAPORATOR FAN CONTACTOR	LD7	LIGHT-EMITTING DIODE (IN RANGE)	SCC3	SHORT CIRCUIT CONNECTOR
BSV	GAS BYPASS SOLENOID VALVE	EFL	LOW SPEED EVAPORATOR FAN CONTACTOR	LD8	LIGHT-EMITTING DIODE (DE-HUMID)	SGS	SUCTION GAS SENSOR
BS1-10	PUSH BUTTON SWITCH	EFM1, 2	EVAPORATOR FAN MOTOR	LD9-12	LIGHT-EMITTING DIODE	SMV	SUCTION MODULATING VALVE
CB	CIRCUIT BREAKER (30A)	EIS	EVAPORATOR INLET SENSOR	LEDA	SERVICE MONITOR-GREEN (EC6)	SS	SUPPLY AIR SENSOR
CC	COMPRESSOR CONTACTOR	ESV	EVAPORATOR OUTLET SOLENOID VALVE	LEDT	LIGHT-EMITTING DIODE (EC6)	TB1, 2	TERMINAL BOARD
CFC	CONDENSER FAN CONTACTOR	ESV	ECONOMIZER SOLENOID VALVE	LPT	LOW PRESSURE TRANSDUCER	T/F A2, 3	TRANS FRESH, A2 • 3 CABLE (PROVISION)
CFM	CONDENSER FAN MOTOR	EV	ELECTRONIC EXPANSION VALVE	LSV	LIQ ID SOLENOID VALVE	T/F FU	TRANS FRESH, FUSE ASSY IN LINE (250V, 2A)
CM	COMPRESSOR MOTOR	FU1-6	FUSE (250V, 10A) (TB1)	MTP	COND. MOTOR THERMAL PROTECTOR	TTC	CONTROL TRANSFORMER
CT1, 2	CURRENT TRANSFORMER	FU1	FUSE (250V, 5A) (EC6)	NF	NOISE FILTER	URI-3	USDA RECEPTACLE
CTR	COMPRESSOR THERMAL PROTECTOR	HPS	HIGH PRESSURE SWITCH	P	POWER PLUG		
CTR	CARGO TEMP. RECEPTACLE	HPT	HIGH PRESSURE TRANSDUCER	PCC1, 2	PHASE CORRECTION CONTACTOR		
DCHS	COMPRESSOR DISCHARGE SENSOR	HSV	HOT GAS SOLENOID VALVE	PHC	PHOTO COUPLER		
DSS	DATA RECORDER RETURN AIR SENSOR	HUS	HUMIDITY SENSOR	PPR1, 2	PC PORT RECEPTACLE	CTS	CARGO TEMP. SENSOR
DSV	DATA RECORDER SUPPLY AIR SENSOR	HSV	HUMIDITY SENSOR	PT	POTENTIAL TRANSFORMER	RCD	REMOTE COMMUNICATION DEVICE (YORK)
LD1	DEFROST SOLENOID VALVE	LD	LIQUID CRYSTAL DISPLAY	RPP	REVERSE PHASE PROTECTOR	USDA1-3	USDA SENSOR
LD-A	SERVICE MONITOR-GREEN (EC1)	LD-A	SERVICE MONITOR-GREEN (EC1)	RRS	RECORDER RETURN AIR SENSOR	T/F A5	TRANS FRESH, A5 CABLE
LD1	L/O BOARD (DECOS)	LD1	LIGHT-EMITTING DIODE (R. H.)	RS	RECORDER SUPPLY AIR SENSOR		
LD2	DISPLAY BOARD (DECOS)	LD2	LIGHT-EMITTING DIODE (ALARM)	RSS	RECORDER SOLENOID VALVE		
EC4	SHEET KEY (DECOS)	LD3	LIGHT-EMITTING DIODE (RETURN)	RSV	REHEAT COIL SOLENOID VALVE		
EC5	PRINTED CIRCUIT BOARD (PT, CT)	LD4	LIGHT-EMITTING DIODE (SUPPLY)	RY1-19	RELAY		

LXE10E-A27

9.3 Stereoscopic wiring diagram



ORDERING INSTRUCTIONS

The parts list contains the parts of the DAIKIN Marine Type Container Refrigeration Units. Please read the following items before using the list.

1. When ordering the parts, be sure to specify the model No., the name of part and the type of part. When ordering the parts for which no parts NO. is shown in the PARTS NO. column, be sure to describe DWG.NO..
2. The list shows the parts only for replacement or repairing at the job site. Certain parts require a production lead time or are supplied as a set, so please contact with the nearest DAIKIN PARTS CENTRE.

3. Index symbols;

Meaning of the ranking A,B and C are as follows;

A. The most important spare parts

1. The parts whose malfunction cause fatal damage to the unit.
2. The parts with high risk of malfunction.
3. The parts that are worn out after an extended service period.

B. The important spare parts next to A, but the risk of malfunction is not so high.

C. The parts with low risk of malfunction, but recommendable to stock to cope with damage during handling of container box and long delivery time, etc.

The parts without A, B and C mark is the parts whose necessity is not so high under normal operation.

パーツリスト使用上の注意

このパーツリストはダイキン海上コンテナ冷凍装置の部品を集録してあります。パーツリスト使用にあたっては、必ず次の注意事項をご一読の上使用していただくようお願いいたします。

1. 部品のご注文の際は機種名、部品番号、および部品名、形式を必ずご指定ください。
なお、部品番号欄が空白になっている部品は、図面番号で指示願います。
2. 掲載部品の範囲は、あくまでも現地にて分解修理できるところまで記載しております。
一部部品につき納期のかかるものおよびセット単位となるものもありますので、お近くのダイキンパーツセンター又はサービスステーションに相談願います。

3. INDEXの説明

INDEXのA、B、Cの意味は下記の通りです。

A. 最も重要な部品

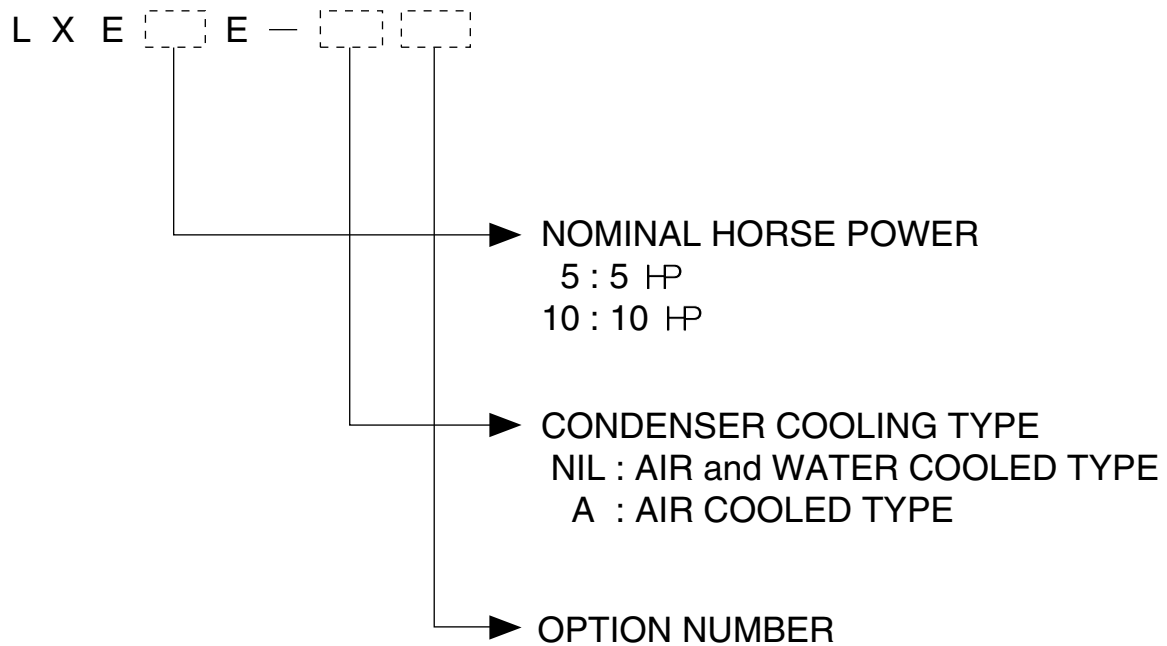
1. 故障した場合に最も重大な損害を与えると思われる部品
2. 故障の確率が高いと思われる部品
3. 長期の使用で摩耗して使用できなくなる部品

B. 故障発生の確率は高くはないが、Aについて重要な部品

C. 故障発生の確率は低いですが、コンテナボックスの運搬中の事故や、部品の納期が長期になるとと思われる等の理由で、在庫をお勧めする部品

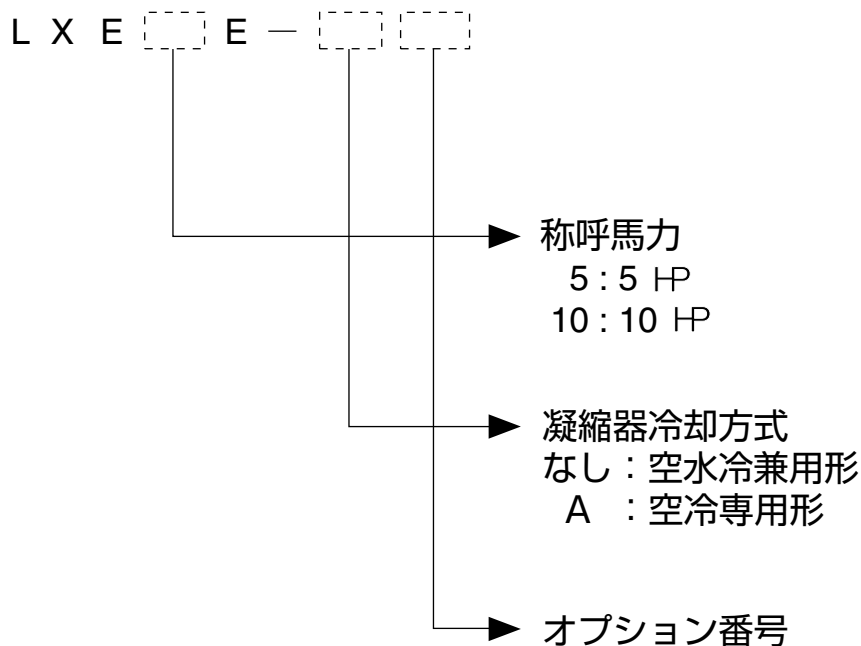
A,B,Cマークの無い部品は、通常の運転では必要性は高くない部品です。

Denomination of Model Name



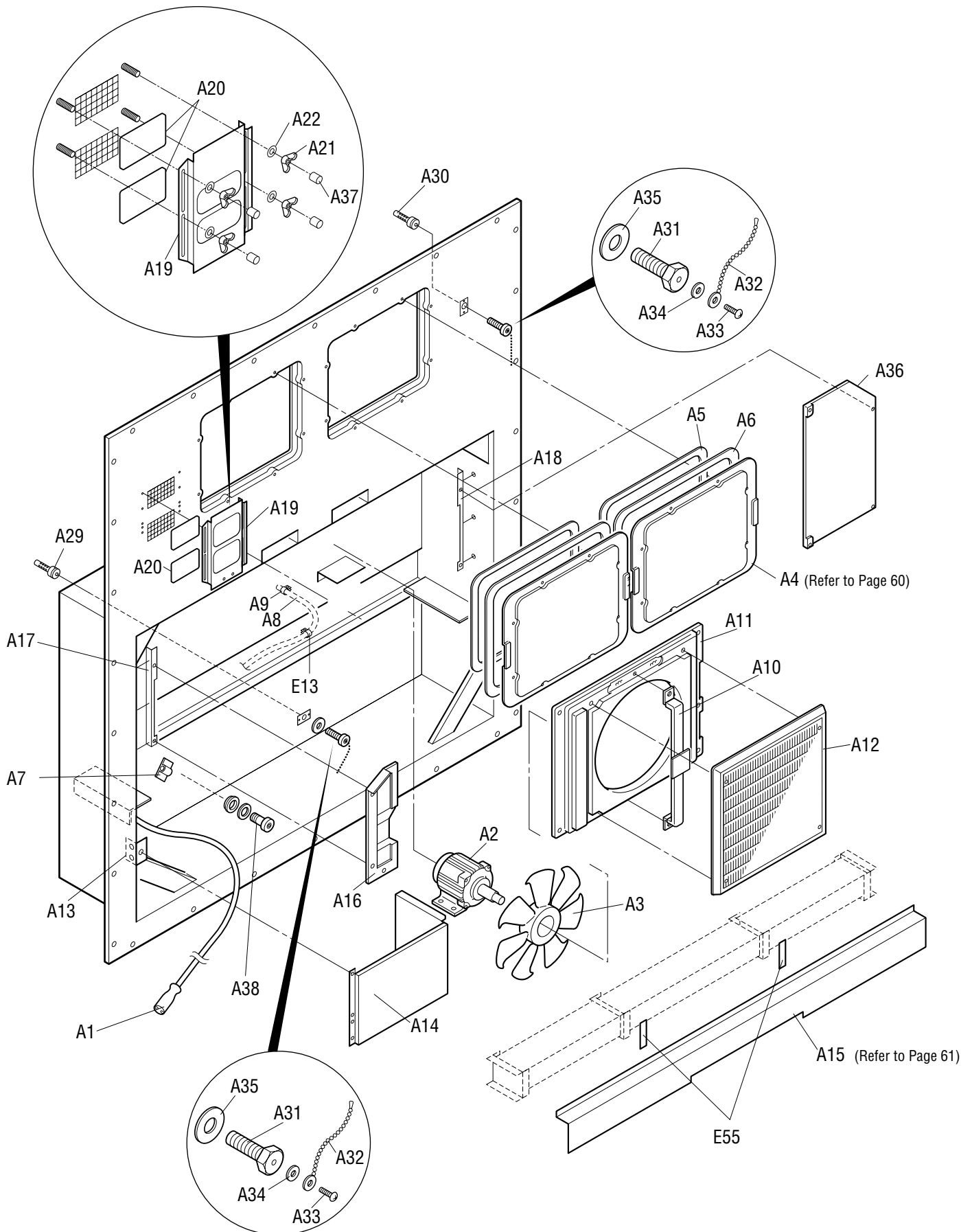
Note) "R" GIVEN AFTER OPTION NUMBER STANDS FOR "REVISION" AND IT IS GIVEN FOR THE UNIT WHICH IS SPECIALLY MODIFIED.

機種名について

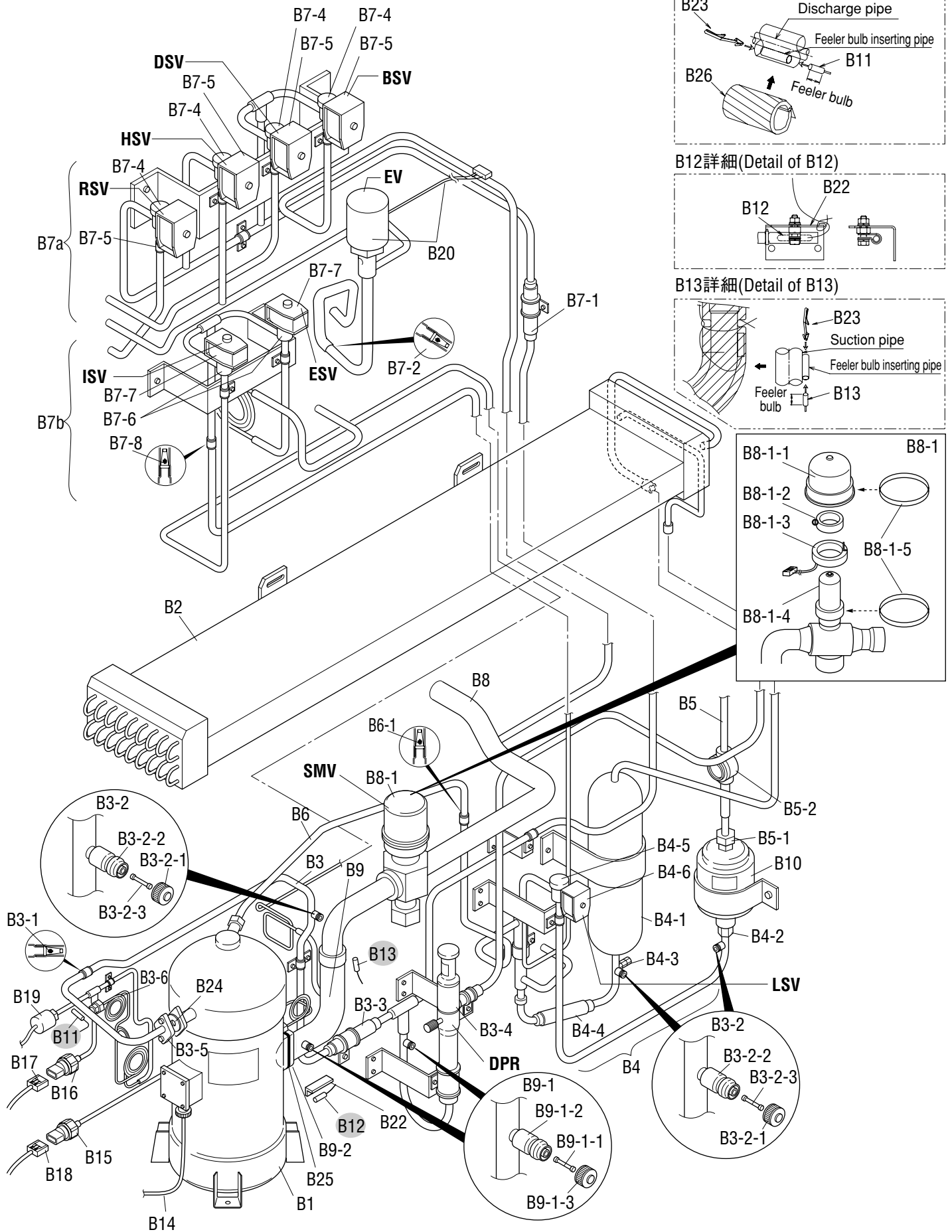


注) オプション番号の後に R がつく機種は、改造機で、特別な仕様が加えられていることを意味します。

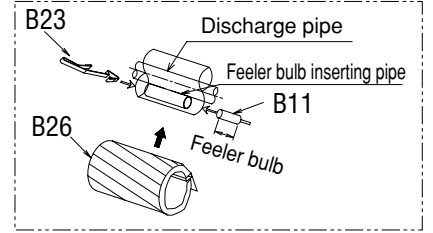
	Page
A. Parts related with the unit(outside)..... 庫外関連部品	24
B. Parts related with refrigerant piping(outside) 庫外冷媒配管関連部品	26
C. Parts related with the unit(inside) 庫内関連部品	30
D. Parts related with refrigerant piping(inside) 庫内冷媒配管関連部品	34
E. Other parts(Pipe clamp, sealing and insulation material etc.) その他部品 (配管固定具、シール材、防熱材等)	36
F. Control box コントローラボックス	44
G. Parts related with name plate 銘板関連	48
I. Parts related with option 1 – USDA..... オプション関連部品 1 - USDA関連	50
J. Parts related with option 2 – MODEM オプション関連部品 2 - モデム	52
K. Parts related with option 3 – Others オプション関連部品 3 - その他 1. Indoor fan guard 庫内ファンガード 2. Evaporator coil 蒸発器コイル組立品	54
L. Parts related with option 4 – TRANS – FLESH オプション関連部品 4 - トランス・フレッシュ	56
M. List of size for standard pipe clamp 配管固定具サイズ表 1. Resin clamp 樹脂バンド 2. Tube clamp 管止金 3. Cushion rubber for pipe clamp 管止金用緩衝ゴム	58
N. Notes for ordering spare parts..... 部品発注の際の注意事項 1. Parts recommended to be ordered together with packing, gasket, sealing material and name plate 発注の際にパッキングやシール材、銘板等の同時発注を推奨する部品 2. Order for motorized valve, solenoid valve and pressure regulating valve 電動弁・電磁弁・圧力調整弁の発注 3. Order for pressure transducer 圧力センサーの発注 4. Order for temperature sensor 温度センサーの発注	60
O. Measuring and adjusting tools 測定調整用工具 1. Tools for emergency operation 緊急運転用工具 2. Personal computer cable (for DCCS) パソコンケーブル(DCCS用)	65



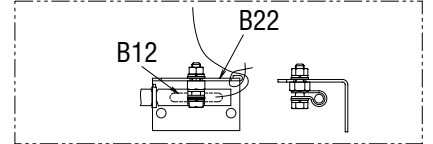
NO. 符号	INDEX	PARTS NO. 部品番号	PARTS NAME	部品名称	DWG. NO. 図面番号	TYPE SPECIFICATION 形式 仕様	QTY/UNIT 1台当たりの 所要数	REMARKS 備考
A1		1448270	Power plug(400V class)	電源プラグ (400V)	3P109727-1		1	
A2	A	0954936	Condenser fan motor	凝縮器電動機	3P005566-1		1	
A3	B	0980618	Fan Brade(outside)	プロペラファン (庫害側)	P44H11S	P44H11S	1	
A4	C	0980423	Accesses panel ass'y	サービス扉組立品	1P006678-1		2	Refer to Page 60
A5		1266207	Cushion material(access panel)	クッション材 (サービス扉)	3P033608-1		2	Refer to Page 60
A6		1196113	Sealing material (access panel)	シール材 (サービス扉)	3P001640-2		2	Refer to Page 60
A7		1326705	Wire clamp	電線止め金	4P090422-1		1	
A8	C	1266199	Drain hose	ドレンホース	3P011299-1	For trap type	1	
A9		537320	Hose band	ホースバンド	R4716528-3		2	
A10		1266137	Fan guide stay ass'y(outside)	ファンガイドステー組立品(庫外側)	3P027891-1		1	
A11		1198652	Fan guide(outside)	ファンガイド (庫外側)	1P050906-1	IVORY WHITE	1	
A12	C	0983167	Discharge grille	吹出しグリル	1PA53427-1		1	
A13		1369663	Mounting plate, front plate(cable)	取付板	4P006981-2		1	
A14		1503216	Front plate(cable)	前板 (鋁金) (ケーブル)	3P118413-2		1	
A15	C	1270338	Front plate(CA)	前板 (CA)	2P061345-1		1	Refer to Page 61
A16		1380684	Control, box front plate(left,single)	C, BOX前板 (左)	2P093861-2		1	
A17		1485527	Fixing plate(left)	外板取付板 (1)	3P116814-1		1	
A18		1311518	Fixing plate(right)	外板取付板 (2)	3P047544-2		1	
A19		1266120	Ventilation cover	換気口蓋	3P067053-1		1	
A20	B	1266221	Sealing material (access panel)	シール材 (換気口)	4P016185-1		2	
A21		1015858	Wing nut	蝶ナット	4SK06111-5		4	
A22		KH66006	M6 wood washer	M6木材座金	4SK07006-5		4	
A29		1496820	Protection cover for thermometer	温度計挿入口保護カバー	4P085921-2		1	
A30		1584145	Protection cover for thermometer	温度計挿入口保護カバー	4P085921-3		1	
A31		1266238	Hexagon head bolt	PC六角ボルト	R4290921-125	M12×25	2	
A32		1386930	Chain	ビクターチェーン	4P063801-1		2	
A33		1266245	Tapping screw	タッピンネジ	4SK05064-8	M3 SUS304	2	
A34		844012S	Plain washer	平座金	4SK07005-3	M3SUS	2	
A35		1267084	Gasket, resin bolt	パッキン樹脂ボルト用	4PA63573-1		2	
A36		1270369	Front plate, holding plate(right)	押エ板前板 (右)	3P083136-1		1	
A37		1387159	Cap nut	キャップナット	4P105737-1		4	
E13		1266788	Resin clamp	樹脂バンド	NE41015-12	MILK WHITE	4	
E55		1267077	Packing for prevention of vibration	CA前板ビビリ防止パッキン	4P050050-1		2	
A38		1584152	Single purge port ass'y	シングルパーズポート組立品	3P039625-1		1	



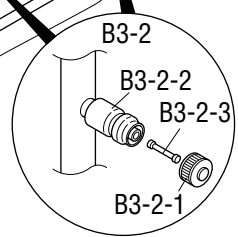
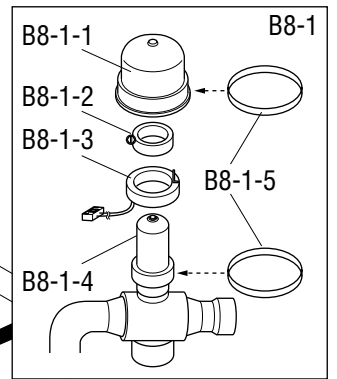
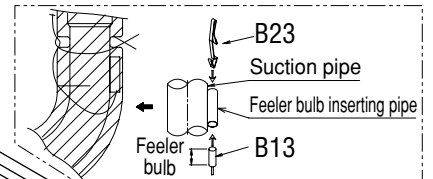
B11詳細(Detail of B11)



B12詳細(Detail of B12)



B13詳細(Detail of B13)



NO. 符号	INDEX	PARTS NO. 部品番号	PARTS NAME	部品名称	DWG. NO. 図面番号	TYPE SPECIFICATION 形式 仕様	QTY/UNIT 1台当たりの 所要数	REMARKS 備考
B1	A	1199415	Compressor	圧縮機	JT224D-NYR		1	
B2	C	1387173	Air cooled condenser	空冷凝縮器	2P089486-1	CA-LXE10E1	1	
B3			Discharge pipe ass'y	吐出配管ASSY	2P117329-1		1	
B3-1	C	1199167	Strainer	ストレーナ	4P051389-1		1	
B3-2	C	1178920	Service valve ass'y	サービスバルブ組立品	3P048905-1		3	
B3-2-1	B	1175921	Service valve cap	キャップ	3P048905-1-KU		3	
B3-2-2			Service valve body	本体	3P048905-1-KA		3	
B3-2-3	B	KAB0001	Valve core	バルブコア	3P048905-1-KI		3	
B3-3	B	0684220	Check valve	逆止弁	3SA27008-1		1	
B3-4	A	1241361	Discharge pressure regulating valve	吐出圧力調整弁	3P074558-1		1	DPR
B3-5		1266276	Flange(convex)	吐出管フランジ (凸)	4P065933-1		1	
B3-6	B	292011	Gauge joint(with check valve)	逆止弁付ゲージ接手	2PF00177-1	VCG2DA	1	
B4		1549685	Liquid receiver ass'y	受液器Assy	2P117335-1		1	
B4-1		1266283	Liquid receiver	受液器レシーバ	4P081428-1	φ 90×t1.5	1	
B4-2		0137856	Flare nut	フレアナット	4SK23011-4	FNS4 φ 12.7	1	
B4-3	A	1498035	Fusible plug	可溶栓	3SA27103-1		1	
B4-4	C	0299134	Filter	フィルタ	3SA26004-2		1	
B4-5	A	0944566	NEV type solenoid valve body	NEV型電磁弁本体	R3305118-1	NEV-803DXF	1	
B4-6	A	0955287	Solenoid valve coil	NEV電磁弁コイル	3P010453-1		1	
B5			Liquid pipe ass'y	液配管 ASSY	3P065985-1		1	
B5-1		0137856	Flare nut	フレアナット	4SK23011-4	FNS4 φ 12.7	1	
B5-2		0622107	Liquid moisture indicator	モイスターインジケーター	3PA51270-3	SGN12S	1	
B6			Injection tube ass'y	インジェクション管組立品	3P093305-1		1	
B6-1	C	0085296	Strainer	ストレーナ	R4697892		1	
B7a			Expansion valve pipe ass'y	膨張弁配管組立品	2P128286-1		1	
B7-1	C	1505748	Filter	フィルタ	3P011071-1		1	
B7-2	C	1490846	Strainer	ストレーナ	4P051958-1		1	
B7-3	A	1256495	Electronic expansion valve body ass'y	電子膨張弁本体組立品	2SA50010-2-KU		1	EV
B7-4	A	0944566	NEV type solenoid valve body	NEV型電磁弁本体	R3305118-1	NEV-803DXF	4	HSV,DSV,BSV,RSV
B7-5	A	0955287	Solenoid valve coil	電磁弁コイル	3P010453-1		4	HSV,DSV,BSV,RSV
B7b			ISV, ESV pipe ass'y	ISV, ESV配管組立品	2P115771-1		1	
B7-6	B	0088738	Nev type solenoid valve body	NEV型電磁弁本体	R3305099-1-KI	NEV-202DXF	2	ISV,ESV
B7-7	A	0955287	Solenoid valve coil	電磁弁コイル	3P010453-1		2	ISV,ESV
B7-8	C	0964166	Strainer	ストレーナ	4P012568-1		1	
B8		1496781	Suction pipe ass'y	吸入配管ASSY	3P071569-2		1	
B8-1	A	1254538	Suction modulating valve ass'y	吸入比例弁ASSY	2P078385-1		1	SMV
B8-1-1		1270376	Upper cover, suction modulating valve	吸入比例弁カバー上	2P078385-1-KA		1	
B8-1-2		1496914	Clamp, suction modulating valve	吸入比例弁クランプ	2P078385-1-KI		1	
B8-1-3		1270390	Coil, suction modulating valve	吸入比例弁コイル	2P078385-1-KU		1	
B8-1-4		1270408	Body, suction modulating valve	吸入比例弁弁本体	2P078385-1-KE		1	

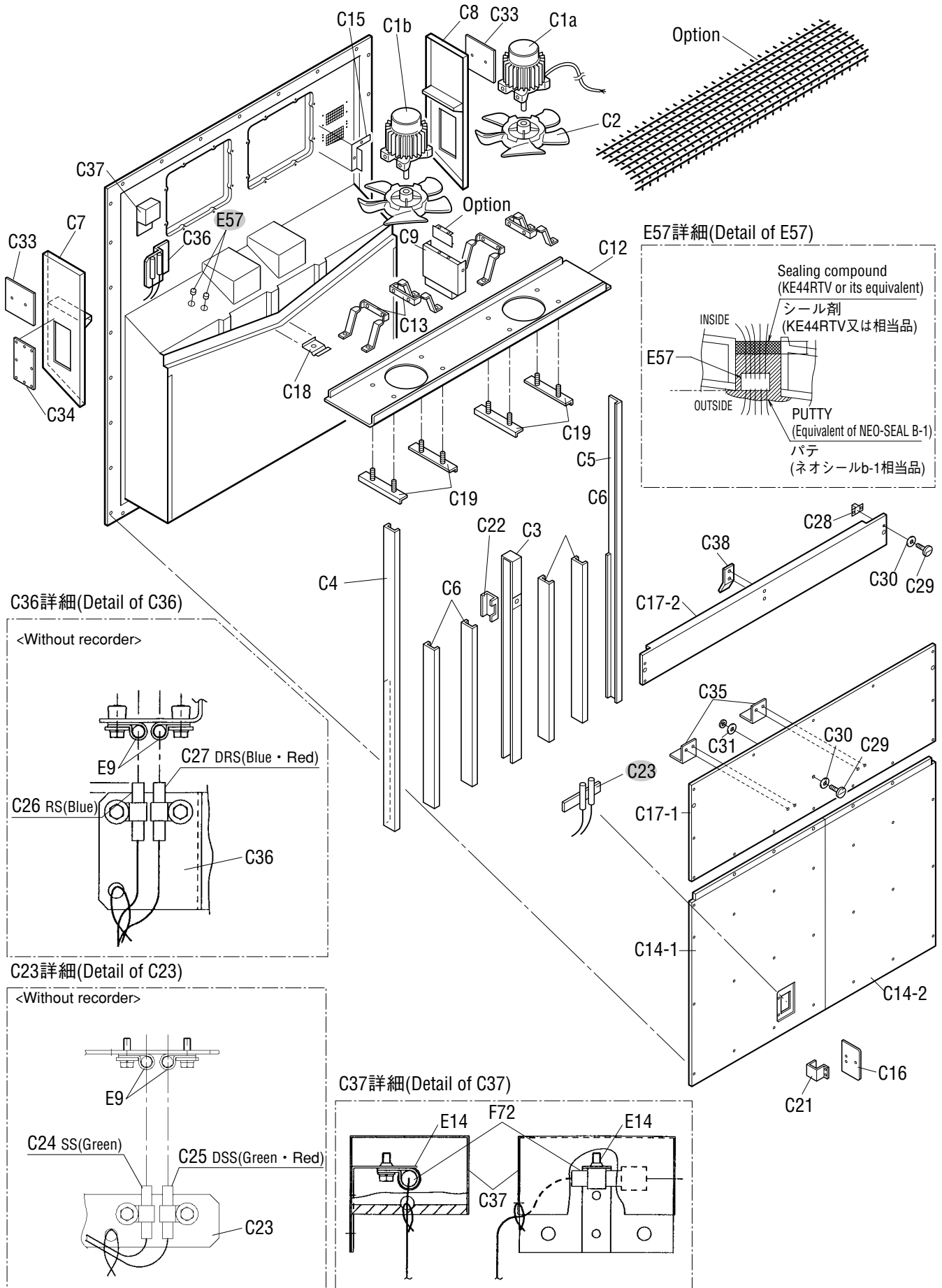
● When ordering the parts whose No. are not shown in the PARTS NO. column, be sure to describe DWG. NO..

● 部品番号欄が空白になっている部品は、図面番号で、指示願います。

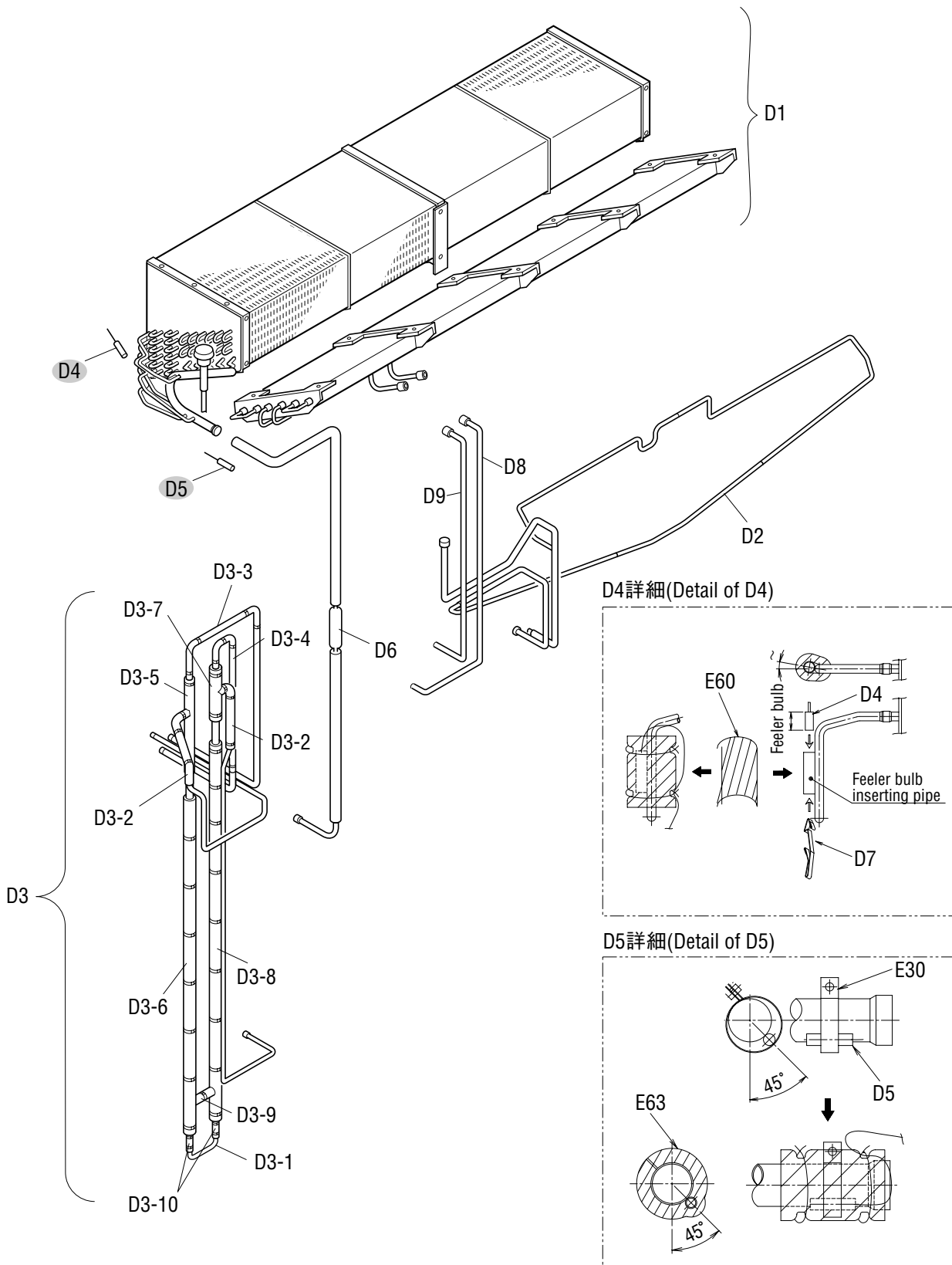
Parts related with refrigerant piping(outside)
庫外冷媒配管関連部品

NO. 符号	INDEX	PARTS NO. 部品番号	PARTS NAME 部品名称	DWG. NO. 図面番号	TYPE SPECIFICATION 形式 仕様	QTY/UNIT 1台当たりの 所要数	REMARKS 備考
B8-1-5		1270376	Cover band, suction modulating valve	吸入比例弁カバーバンド	2P078385-1-KO	1	
B9		1496774	Suction piping ass'y(1)	吸入配管ASSY (1)	2P084863-1	1	
B9-1	C	1178937	Service valve ass'y	サービスバルブ組立品	3P048907-1	1	
B9-1-1	B	1178867	Valve core	バルブコア	3P048907-1-KI	1	
B9-1-2	B		Service valve body	本体	3P048907-1-KA	1	
B9-1-3	B	1175914	Service valve cap	キャップ	3P048907-1-KU	1	
B9-2		1266315	Square flange	角フランジ	4PA61542-1	1	
B10	A	1241385	Drier ass'y	ドライヤASSY	3P069859-1	1	
B11	A	0983321	Sensor, discharge pipe temperature(DCHS)	吐出管用センサ (DCHS)	3SA48009-10	1	Refer to Page 64
B12	A	0798321	Sensor, ambient air temperature(AMBS)	外気温度センサ (AMBS)	3PA61769-6	1	Refer to Page 64
B13	A	0983338	Sensor, comp suction pipe temperature(SGS)	圧縮機吸込配管温度用センサ (SGS)	3PA61769-9	1	Refer to Page 64
B14		1266322	Cable(compressor)	ケーブル (圧縮機)	3P063458-1	1	
B15	A	1463983	Low pressure transducer (LPT)	低圧圧力センサ (LPT)	4PA60524-1	1	Refer to Page 64
B16	A	1463976	High pressure transducer (HPT)	高圧圧力センサ (HPT)	4PA60522-1	1	Refer to Page 64
B17	A	1011058	Cable, high-pressure transducer	高圧圧力センサケーブル	3P008835-1	1	Refer to Page 64
B18	A	1011065	Cable, low-pressure transducer	低圧圧力センサケーブル	3P008835-2	1	Refer to Page 64
B19	A	1241378	High pressure switch	高圧圧力開閉器 ACB-KB15	3P071506-1	1	
B20	A	1381430	Electronic expansion valve coil	電子膨張弁コイル	2P010454-2	1	EV Refer to Page 62
B22		1266346	Thermostat cover	サーモカバー	4P068258-1	1	
B23		0423968	Mounting spring,thermistor	サーミスタ取付バネ	4PA38890-1	3	
B24	A	0132192	Flange packing, compressor discharge	圧縮機吐出側フランジパッキン	4SK20053-4	1	
B25	A	0395032	Flange packing, compressor suction	圧縮機吸入側フランジパッキン	R4221042-1	1	
B26		1267147	Thermal insulation tube	断熱筒 (吸入弁庫外側)	4P073602-1	1	

● When ordering the parts whose No. are not shown in the PARTS NO. column, be sure to describe DWG. NO.. ● 部品番号欄が空白になっている部品は、図面番号で、指示願います。



NO. 符号	INDEX	PARTS NO. 部品番号	PARTS NAME	部品名称	DWG. NO. 図面番号	TYPE SPECIFICATION 形式 仕様	QTY/UNIT 1台当たりの 所要数	REMARKS 備考
C1a	A	0955333	Therr phase AC fan motor	三相交流ファン電動機(ケーブル付)	3PA07524-4		1	Cable length 2520
C1b	A	0955340	Therr phase AC fan motor	三相交流ファン電動機(ケーブル付)	3PA07524-5		1	Cable length 3270
C2	B	0777519	Fan Brade(inside)	プロペラファン (庫内側)	P32P11F		2	
C3		1410958	Center stay(Reheat)	中央ステー (レヒート)	3P094853-1		1	
C4		1266360	Side stay	サイドステー	3P061281-1	t2.5	1	
C5		1509531	Side stay(2)	サイドステー (2)	3P105384-1		1	
C6		1584176	Rear stay(Reheat)	背面ステー (レヒート)	3P103621-2		4	
C7		1584183	Casing frame, evaporator(left)	蒸発器枠 (3)	2P094765-3		1	
C8		1380754	Casing frame, evaporator(right)	蒸発器枠 (2)	2P094765-2		1	
C9		1494134	Fixing plate, fan guide	ファンガイド固定板	3P105378-1		1	
C12		1584190	Fan guide ass'y	ファンガイドASSY	3P123264-4		1	
C13		1565199	Set plate, fan ass'y	電動機取付脚	3P144888-1		4	
C14-1		1496921	Rear plate(lower/left)	裏板 (下/左)	2P105388-1		1	
C14-2		1496938	Rear plate(lower/right)	裏板 (下/右)	2P105389-1		1	
C15		1266555	Air reflection plate	風向板	4P055257-1		1	
C16		1496945	Inspection hole	点検蓋	4P105393-1		1	
C17-1		1496952	Rear plate(middle)	裏板 (中)	2P105387-1		1	
C17-2		1496969	Rear plate(upper)	裏板 (上)	2P105386-1		1	
C18		1266485	Partition plate (drain outlet)	仕切板 (ドレン出口)	4P011317-1		1	
C19		1135978	Reinforce plate, fan motor	補強板 (ファン電動機台)	4P011316-1		4	
C21		1135125	Hinge	蝶番	3P043374-1		1	
C22		1266524	Support plate	支柱補強柱	4P061342-1		1	
C23		1266517	Mounting plate, sensor	センサー取付板	3P069038-1		1	
C24	A	1375310	Sensor(SS)	サーミスタ (SS)	3PA61769-11	ST9503-11(green)	1	Refer to Page 64
C25	A	1375327	Sensor(DSS)	サーミスタ (DSS)	3PA61769-12	ST9503-12(green,red)	1	Refer to Page 64
C26	A	1375334	Sensor(RS)	サーミスタ (RS)	3PA61769-13	ST9503-13(blue)	1	Refer to Page 64
C27	A	1375341	Sensor(DRS)	サーミスタ (DRS)	3PA61769-14	ST9503-14(blue,red)	1	Refer to Page 64
C28		860015	Universal nut	自在ナット	R4713188-1		12	
C29		860030S	Speed bolt	スピードボルト (M6)	4P048680-2	M6X29(S)	18	
C30		860005	Washer, speed bolt	スピードボルト用座金	R4713334		21	
C31		840002	Drop out prevention washer	脱落防止座金	R4718607-6		2	
C33		1560024	Bypass protection plate	バイパス防止板	4P120521-1		2	
C34		1380848	Cover	カバー	3P090387-1		1	
C35		1496976	Fixing, rear plate	固定具 (裏板・中)	4P105391-1		2	
C36		1380855	Mounting plate, sensor	取付板 (センサー)	4P072701-1		1	
C37		1380862	RH sensor mounting plate	RHセンサー固定板	4P000182-1		1	
C38		1496983	Fixing plate, rear plate(upper)	裏板上固定具	4P105390-1	t2.0	1	
E9		0118273	Resin clamp	樹脂バンド	NE41015-2	Milk whith	5	
E14		0508162	Resin clamp	樹脂バンド	NE41015-3	Milk whith	1	
E57		1267091	Wiring protection bush	配線保護ブッシュ	4P023920-1	BLACK	2	

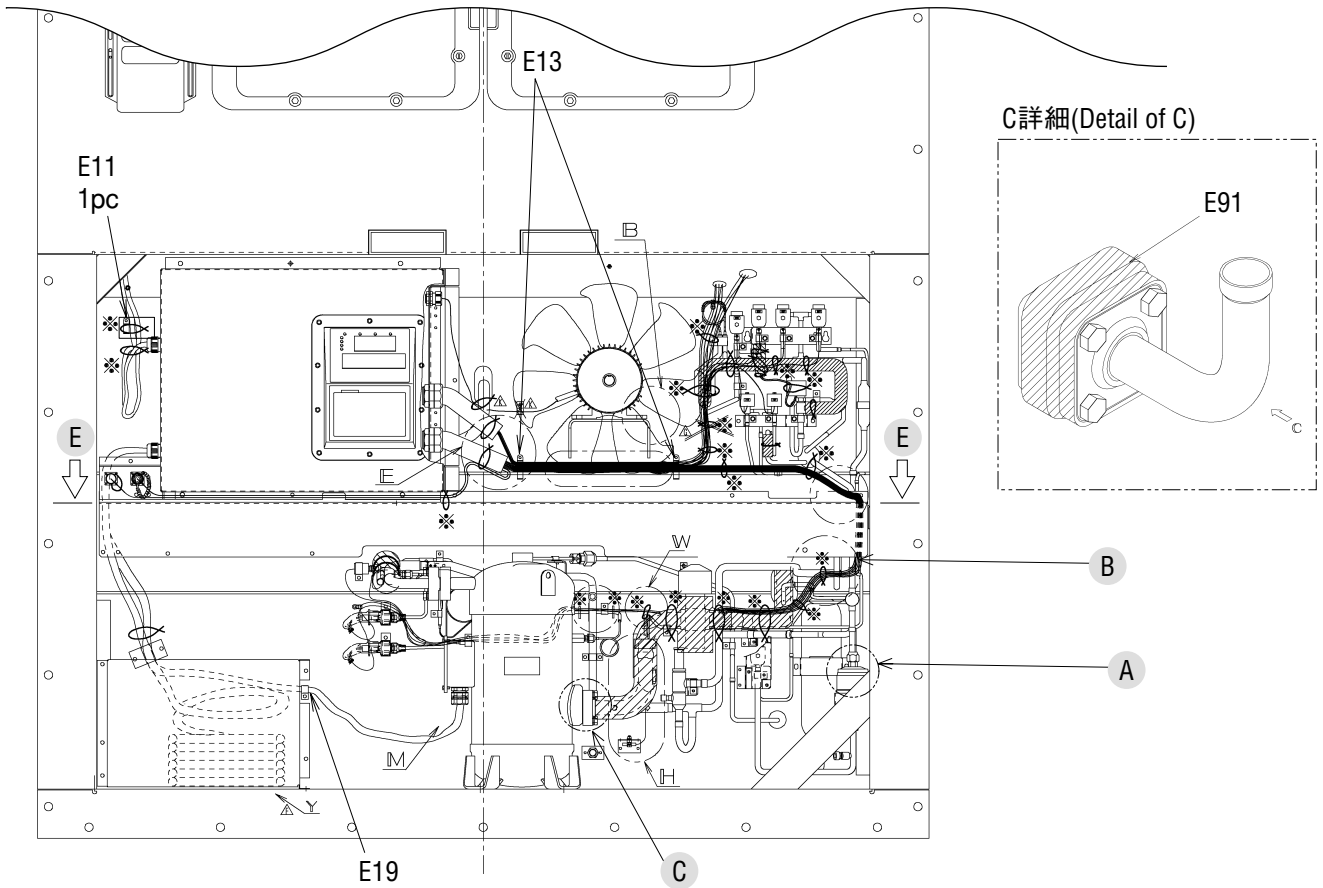


NO. 符号	INDEX	PARTS NO. 部品番号	PARTS NAME	部品名称	DWG. NO. 図面番号	TYPE SPECIFICATION 形式仕様	QTY/UNIT 1台当たりの 所要数	REMARKS 備考
D1	C	1380691	Evaporator ass'y	蒸発器組立品	2P071832-1	CRB-LXE10E1	1	With reheat coil
D2		1380893	Drain pan pipe ass'y	ドレンパン配管Assy	2P103794-2		1	
D3		1564684	Heat exchanger ass'y with insulation	熱交換器防露筒組立品	3P114529-2		1	
D3-1			Double tube heat exch. Ass'y	二重管式熱交換器Assy	2P114495-2		1	
D3-2		1549762	Insulation tube, gas pipe(1)	ガス配管 (1) 防露筒	3P114518-1		2	
D3-3		1549779	Insulation tube, liquid pipe(1)	液配管 (1) 防露筒	3P114518-2		1	
D3-4		1549786	Insulation tube, liquid pipe(2)	液配管 (2) 防露筒	3P114518-3		1	
D3-5		1380918	Thermal insulation tube	断熱筒 (熱交外管)	4P103439-1		1	
D3-6		1380925	Thermal insulation tube	断熱筒 (熱交外管)	4P103439-2		1	
D3-7		1380932	Thermal insulation tube	断熱筒 (熱交外管)	4P103439-3		1	
D3-8		1380949	Thermal insulation tube	断熱筒 (熱交外管)	4P103439-4		1	
D3-9		1549971	Thermal insulation, gas pipe(3)	ガス配管 (3) 防露筒	3P114518-4		1	
D3-10		1549988	Thermal insulation, liquid pipe(3)	液配管 (3) 防露筒	4P110520-2		2	
D4	A	1562828	Sensor(EIS)	センサー (EIS)	3P012118-2	ST9703-2	1	Refer to Page 64
D5	A	1562835	Sensor(EOS)	センサー (EOS)	3PA61769-15	ST9501-15	1	Refer to Page 64
D6	C	1266308	Filter	フィルタ	3P032328-1		1	
D7		0423968	Mounting spring,thermistor	サーミスタ取付バネ	4PA38890-1		3	
D8		1380956	Reheater inlet pipe	レヒータ入口管	3P101695-2		1	
D9		1380963	Reheater outlet pipe	レヒータ出口管	3P101696-2		1	
E30		537320	Hose band	ホースバンド	R4716528-3		2	
E60		1267123	Thermal insulation tube piping	断熱筒配管緩衝材	4P011309-1		4	
E63		1267154	Insulation tube evaporater header	蒸発器ヘッダー防露筒	4P073525-1		1	

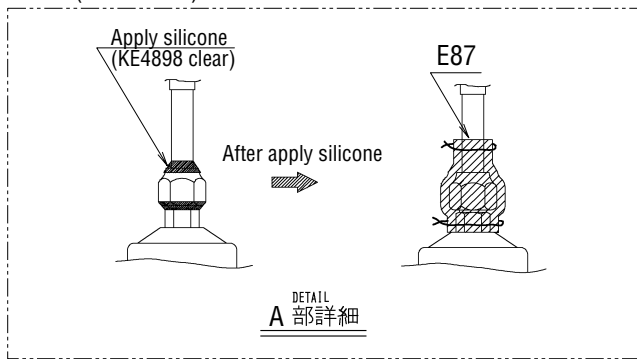
• When ordering the parts whose No. are not shown in the PARTS NO. column, be sure to describe DWG. NO..

• 部品番号欄が空白になっている部品は、図面番号で、指示願います。

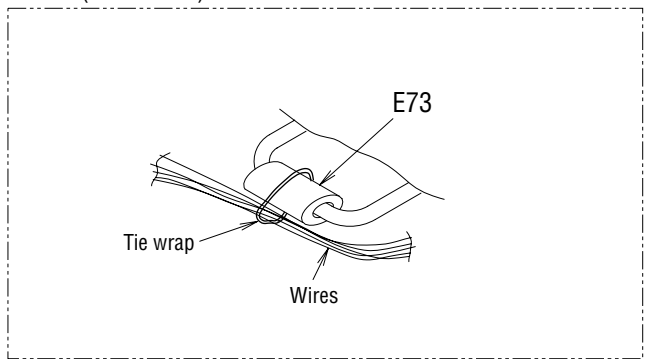
Other parts (Pipe clamp, sealing and insulation material etc.)
 その他部品 (配管固定具、シール材、防熱材等)



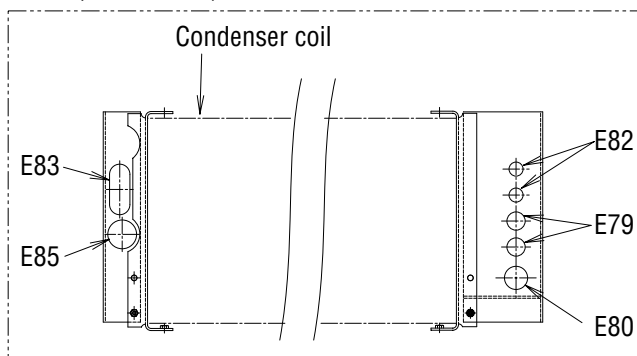
A詳細 (Detail of A)



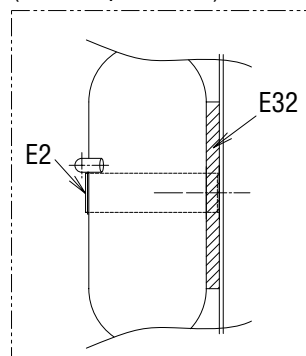
B詳細 (Detail of B)



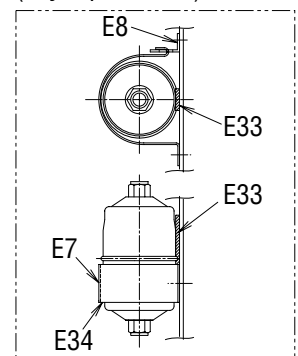
E断面 (Section of E)



受液機器部詳細 (Receive part detail)



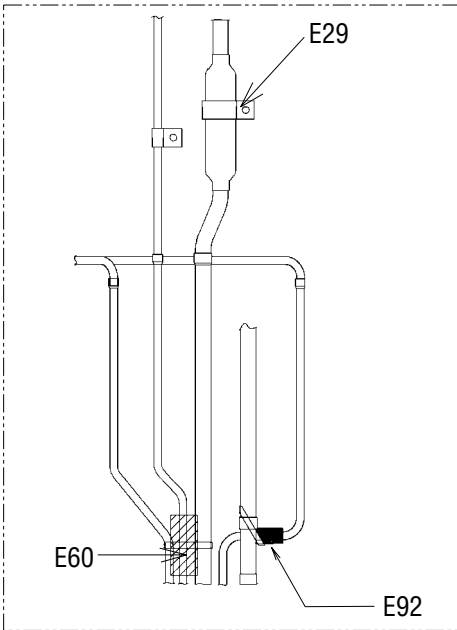
ドライヤー部詳細 (Dryer part detail)



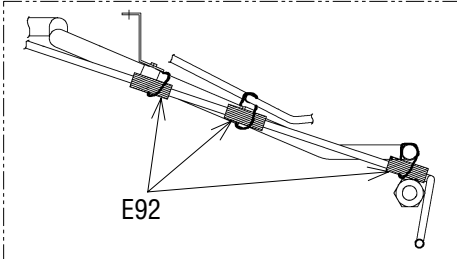
※(L = XX mm) indicates the length of cushion rubber E35.(Cut to suit pipe size.)

※(L = XX mm)と表記のものは、緩衝ゴム(E35)の長さです。(配管のサイズに合わせて切って使用ください。)

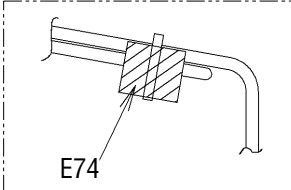
矢視C/D(View C/D)



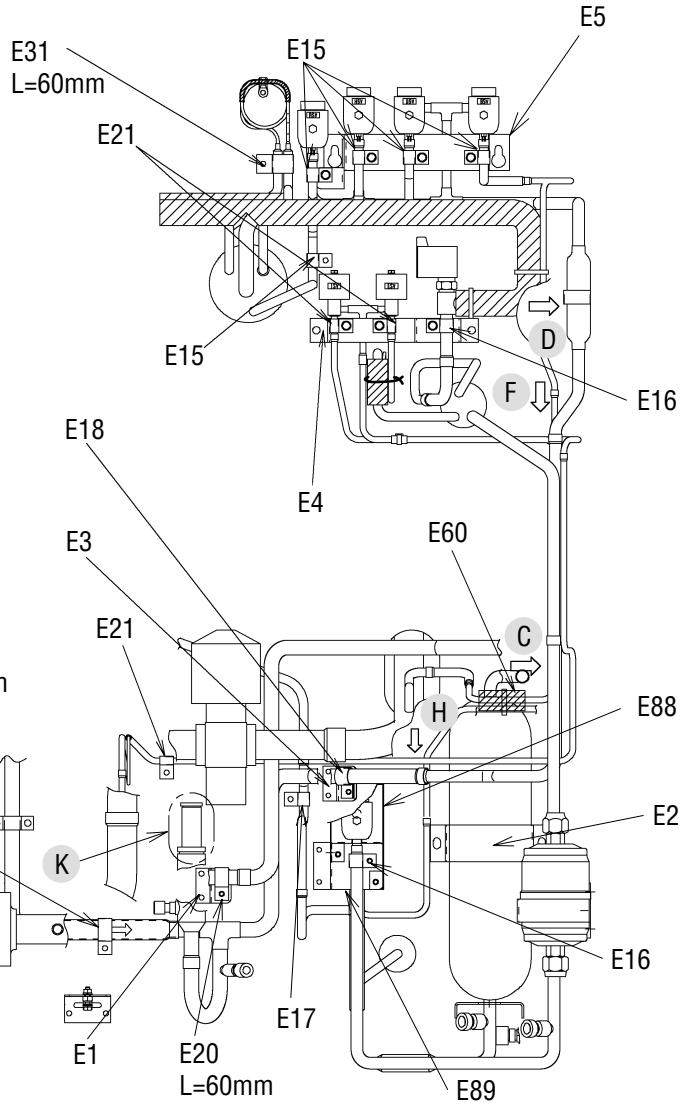
矢視H(View H)



矢視F(View F)

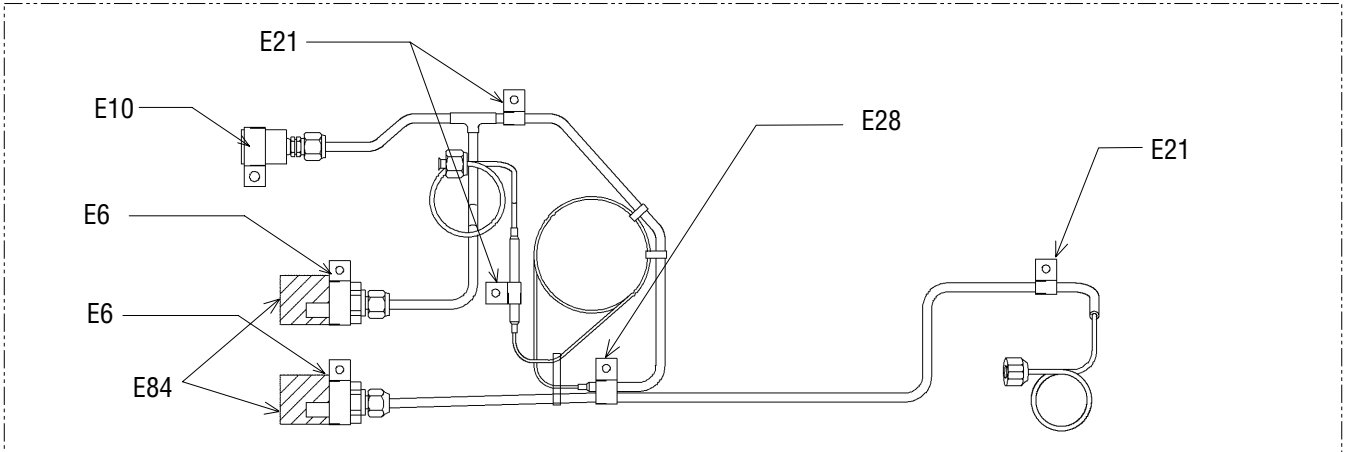


K部詳細(Detail of K)

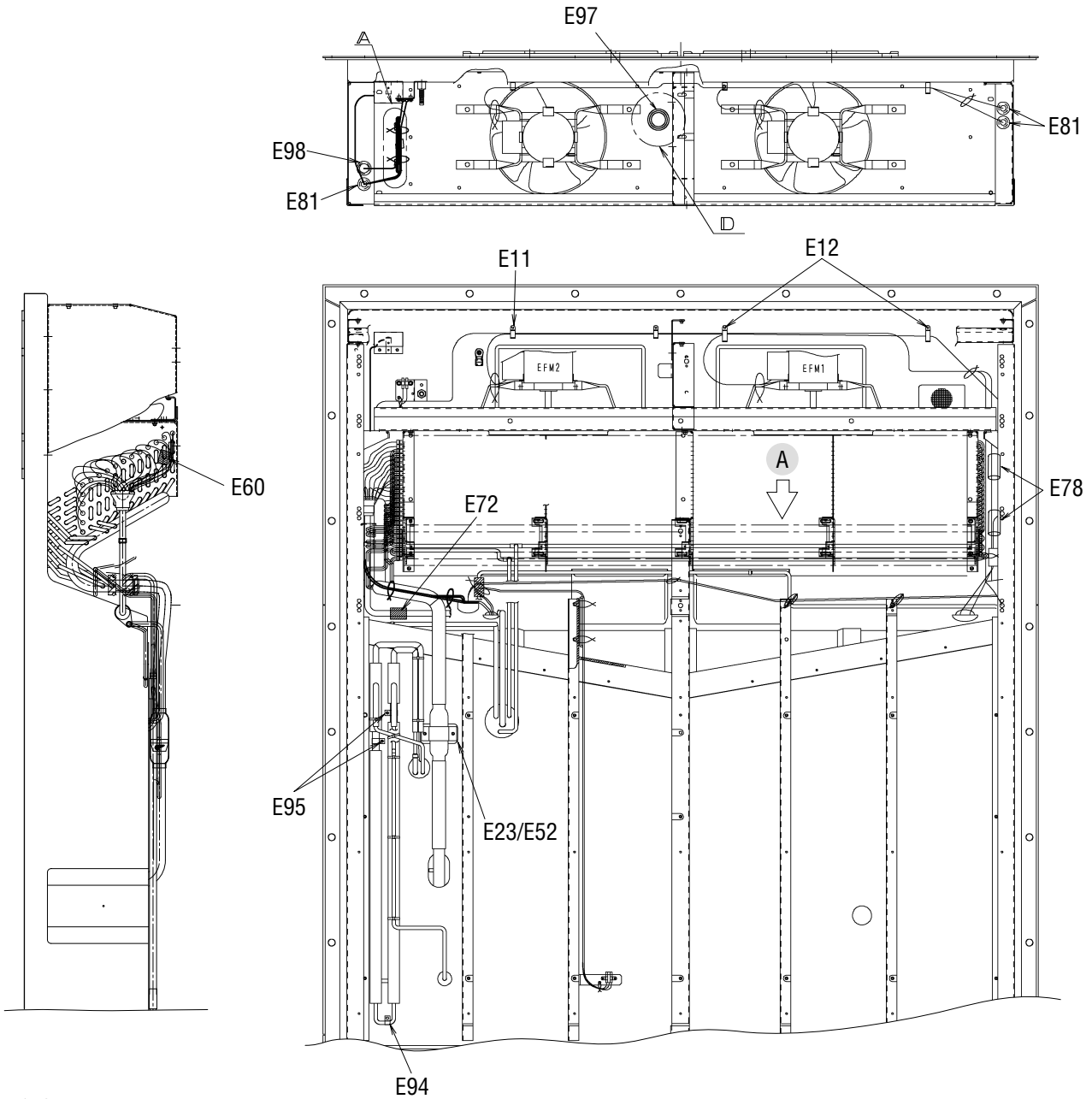


冷媒配管詳細 (Refrigerant piping detail)

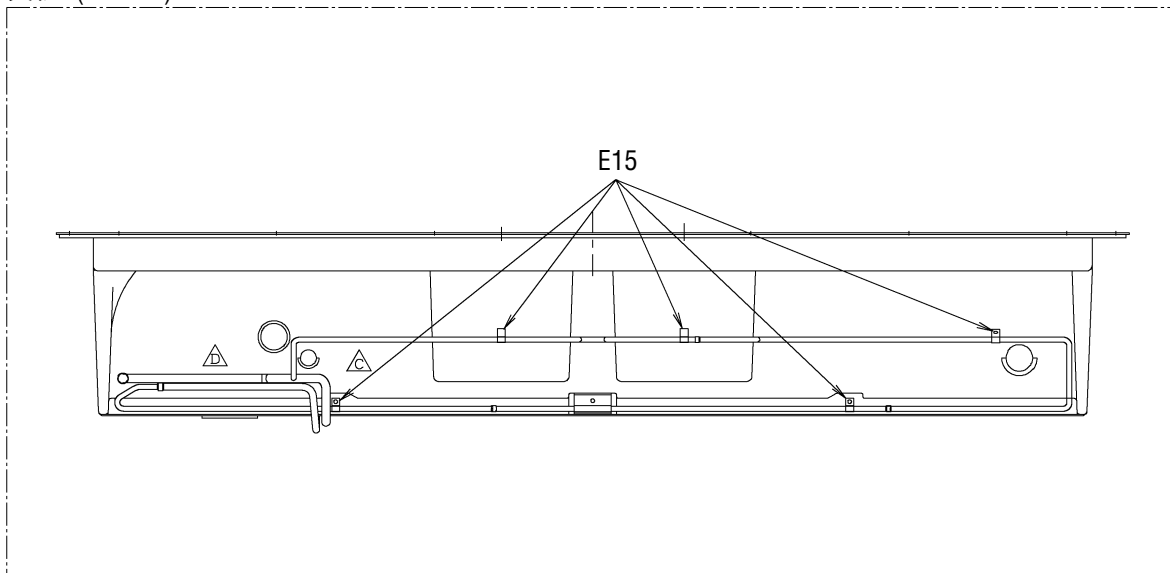
圧力センサー配管部詳細(Pressure transducer piping detail)

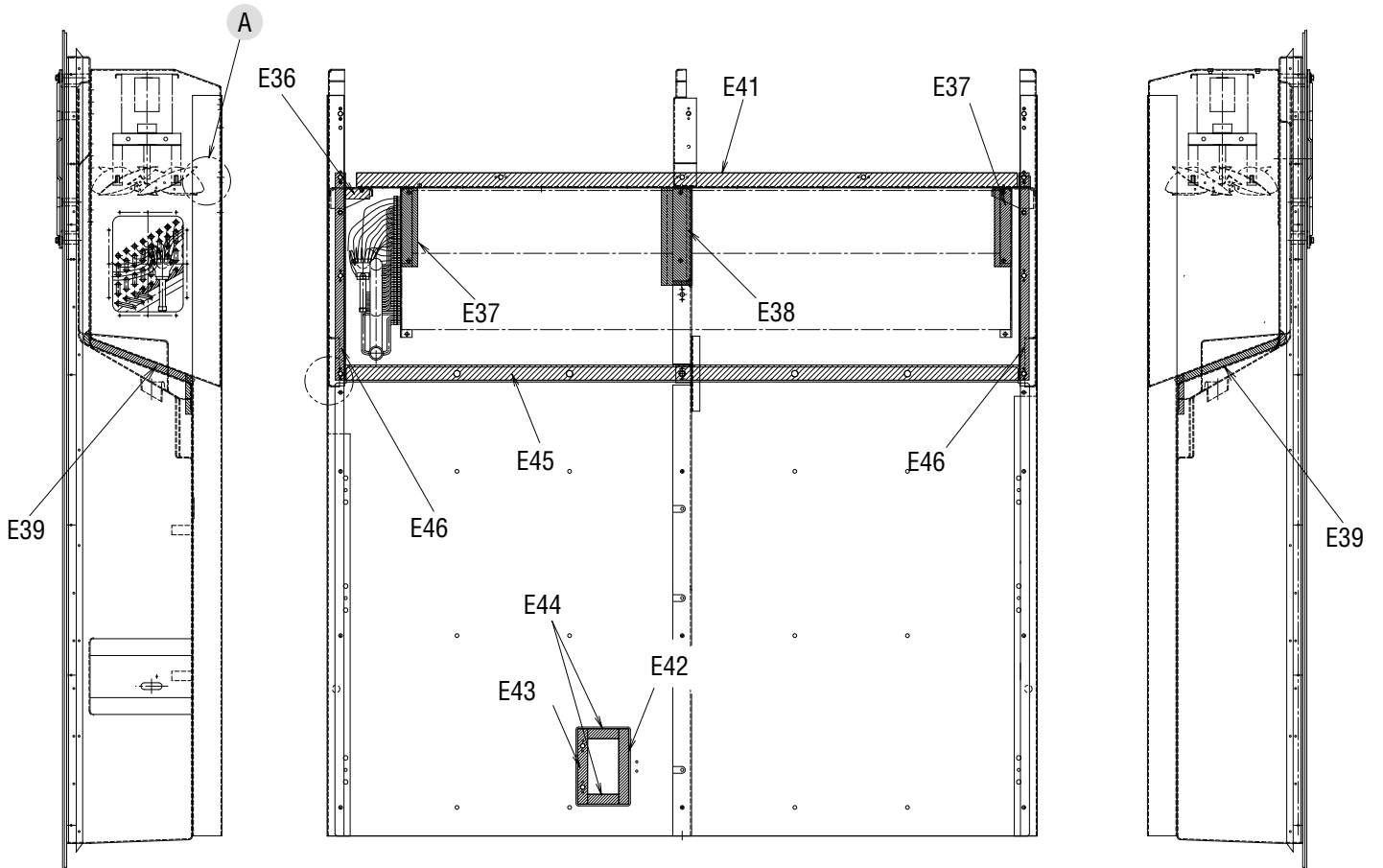
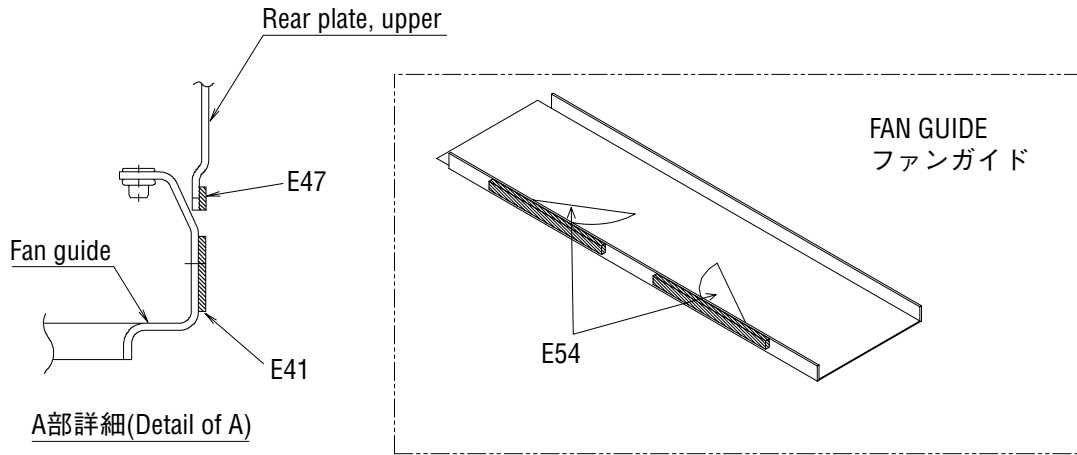


Other parts(Pipe clamp, sealing and insulation material etc.)
その他部品 (配管固定具、シール材、防熱材等)

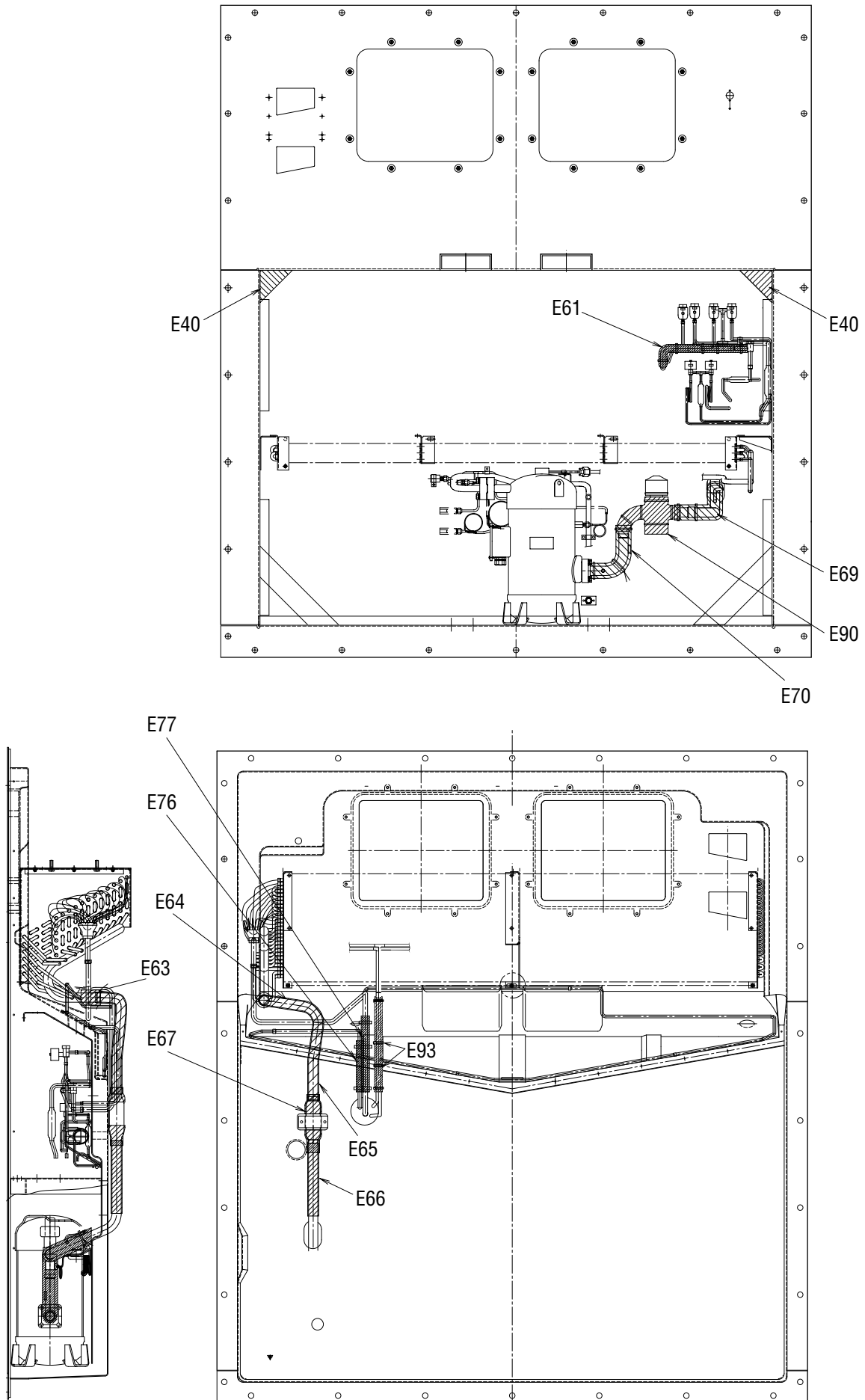


矢視A(VIEW A)





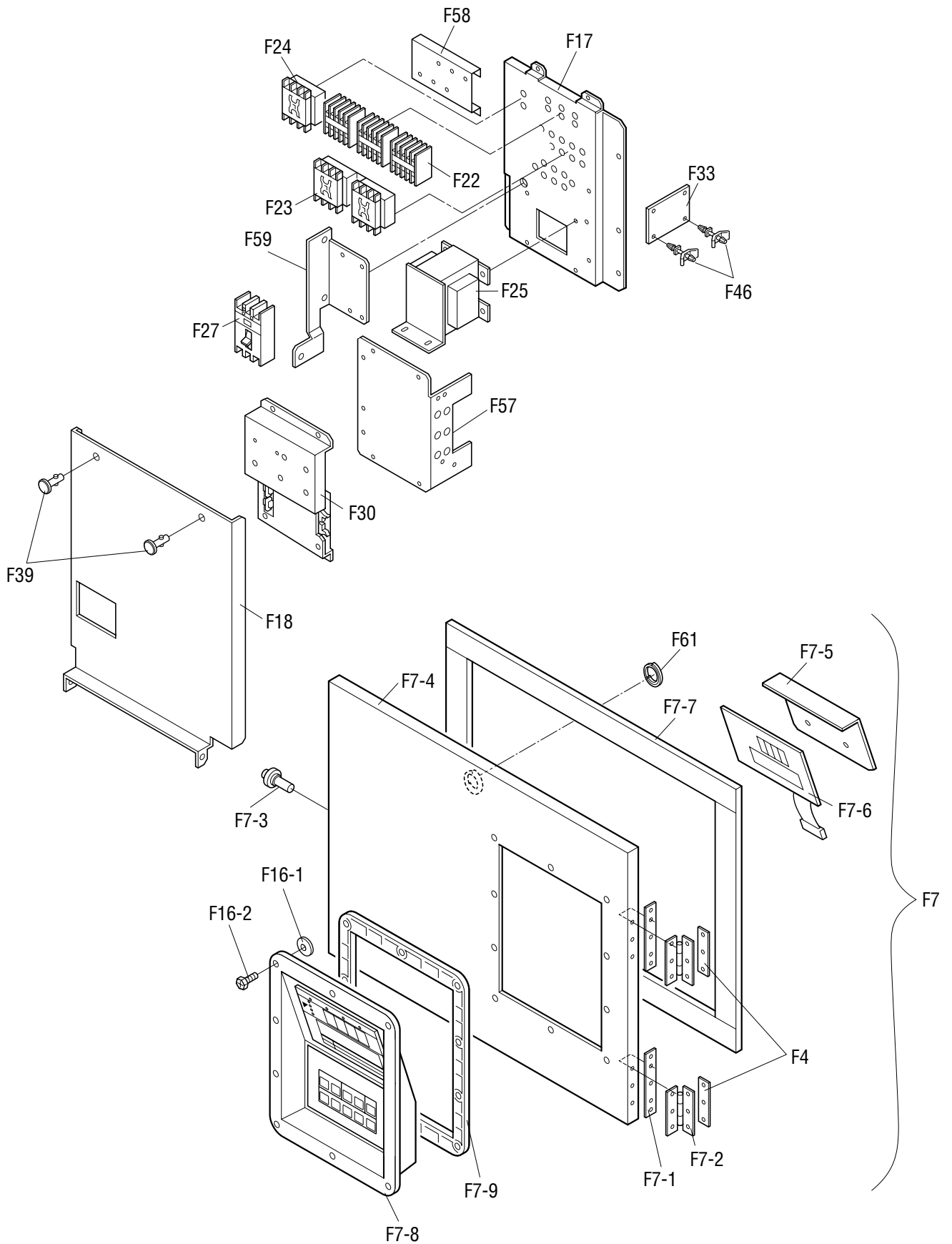
Other parts(Pipe clamp, sealing and insulation material etc.)
その他部品 (配管固定具、シール材、防熱材等)

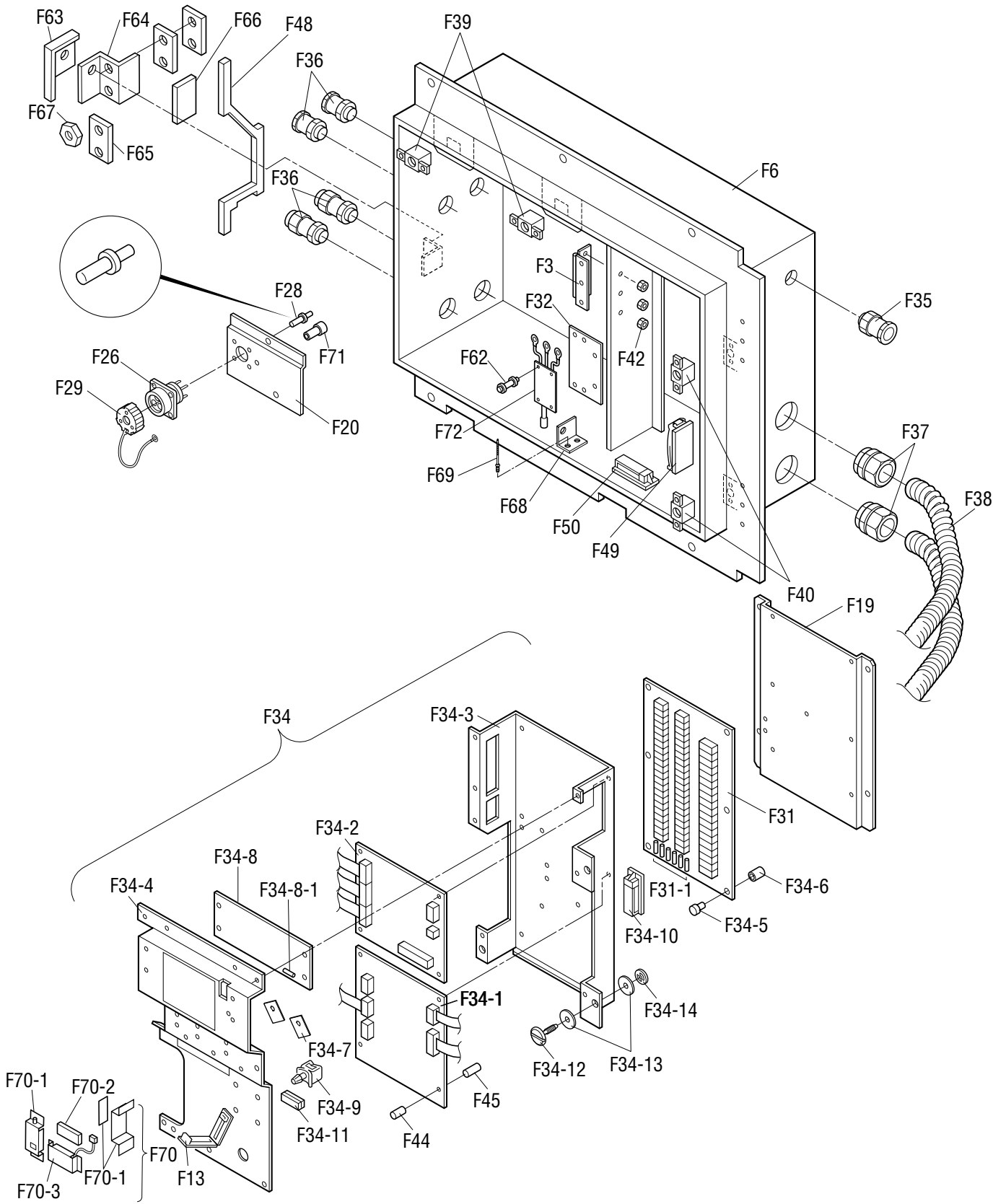


NO. 符号	INDEX	PARTS NO. 部品番号	PARTS NAME	部品名称	DWG. NO. 図面番号	TYPE SPECIFICATION 形式 仕様	QTY/UNIT 1台当たりの 所要数	REFER PAGE 参照ページ
E1		1266694	Set plate, discharge pipe	吐出配管取付板	4P079462-1		1	Page 37
E2		1266702	Fixture plate, receiver	レシーバー固定具	4P011318-2		1	Page 37
E3		1485938	Mounting plate, discharge pipe(2)	吐出配管取付板 (2)	4P117351-1		1	Page 37
E4		1485914	Mounting plate, ISV,ESV,EV	ISV, ESV, EV取付板	4P115765-1		1	Page 37
E5		1557624	Mounting plate, HSV,DSV,BSV,RSV	HSV, DSV, BSV, RSV取付板	4P110770-1		1	Page 37
E6		1270439	Tube clamp	管止金	NE31016-61		2	Page 37
E7		1266764	Fitting band, dryer	ドライヤー取付バンド	4PA51194-1		1	Page 36
E8		1266771	Set plate, dryer	取付板 (ドライヤ)	4P076788-1	t2.0	1	Page 36
E9		0118273	Resin clamp	樹脂バンド	NE41015-2	MILK WHITE	5	Page 30
E10		1222764	Resin clamp	樹脂バンド	NE41015-9	MILK WHITE	1	Page 37
E11		0944528	Resin clamp	樹脂バンド	NE41015-7	MILK WHITE	2	Page 36,38
E12		0142492	Resin clamp	樹脂バンド	NE41015-10	MILK WHITE	2	Page 38
E13		1266788	Resin clamp	樹脂バンド	NE41015-12	MILK WHITE	4	Page 36
E15		0782775	Tube clamp	管止め金	NE31016-51		5	Page 37,38
E16		1584208	Tube clamp, Nylon coating	管止め金, ナイロンコーティング	4P143802-52		2	Page 37
E17		1584215	Tube clamp, Nylon coating	管止め金, ナイロンコーティング	4P143802-51		6	Page 37
E18		1584222	Tube clamp, Nylon coating	管止め金, ナイロンコーティング	4P143802-54		1	Page 37
E19		0700090	Tube clamp	管止め金	NE31016-54		1	Page 36
E20		0016290	Tube clamp	管止め金	NE31016-56		1	Page 37
E21		1584239	Tube clamp, Nylon coating	管止め金, ナイロンコーティング	4P143802-71		6	Page 37
E23		1266827	Fixing plate, filter	フィルター固定具	4P071794-1	t1.5	1	Page 38
E25		1266841	Tube clamp	管止め金 (2)	4P005817-2		1	Page 37
E27		1266858	Tube clamp	管止め金	NE31016-59		1	Page 37
E28		1387180	Tube clamp	ホットガス管止め金	4PA43040-2		1	Page 37
E29		1584246	Tube clamp	管止め金	4P143802-59		1	Page 37
E30		537320	Hose band	ホースバンド	R4716528-3		2	Page 34
E31		1380970	Hot gas tube clamp	ホットガス管止め金	4PA43040-1		1	Page 37
E32		1266889	Cushion rubber, pipe clamp	緩衝ゴム (管止用)	4P064896-1	t1.0	1	Page 36
E33		1266896	Seal packing	シールパッキン	4P011314-1		1	Page 36
E34		1270446	Dryer cushion rubber	ドライヤ緩衝ゴム	4PA53083-2		1	Page 36
E35		1584253	Cushion rubber	緩衝ゴム	NE41013-3-300	L=300	1	Page 37
E36		1386947	Sealing material	シールパッキン	4P090149-1	t10.0 GRAY	1	Page 39
E37		1266935	Packing(for evaporator)	パッキン (蒸発器)	4P063465-1		2	Page 39
E38		1266942	Packing(for evaporator)	パッキン (蒸発器)	4P063465-2		1	Page 39
E39		1381036	Packing	パッキン	4P095033-1		2	Page 39
E40		1177369	Cushion rubber	仕切用ゴム	4P026657-1	t2.0	2	Page 40
E41		1386954	Sealing packing, fan guide	シールパッキン ファンガイド	3P090183-1		1	Page 39
E42		1266973	Sealing material(patch plate2)	シール材 (当板2)	4P068964-1		1	Page 39
E43		1381043	Sealing material(patch plate3)	シール材 (当板3)	4P095038-1		1	Page 39
E44		1266997	Sealing material(patch plate1)	シール材 (当板1)	4P068968-1		2	Page 39

Other parts(Pipe clamp, sealing and insulation material etc.)
 その他部品 (配管固定具、シール材、防熱材等)

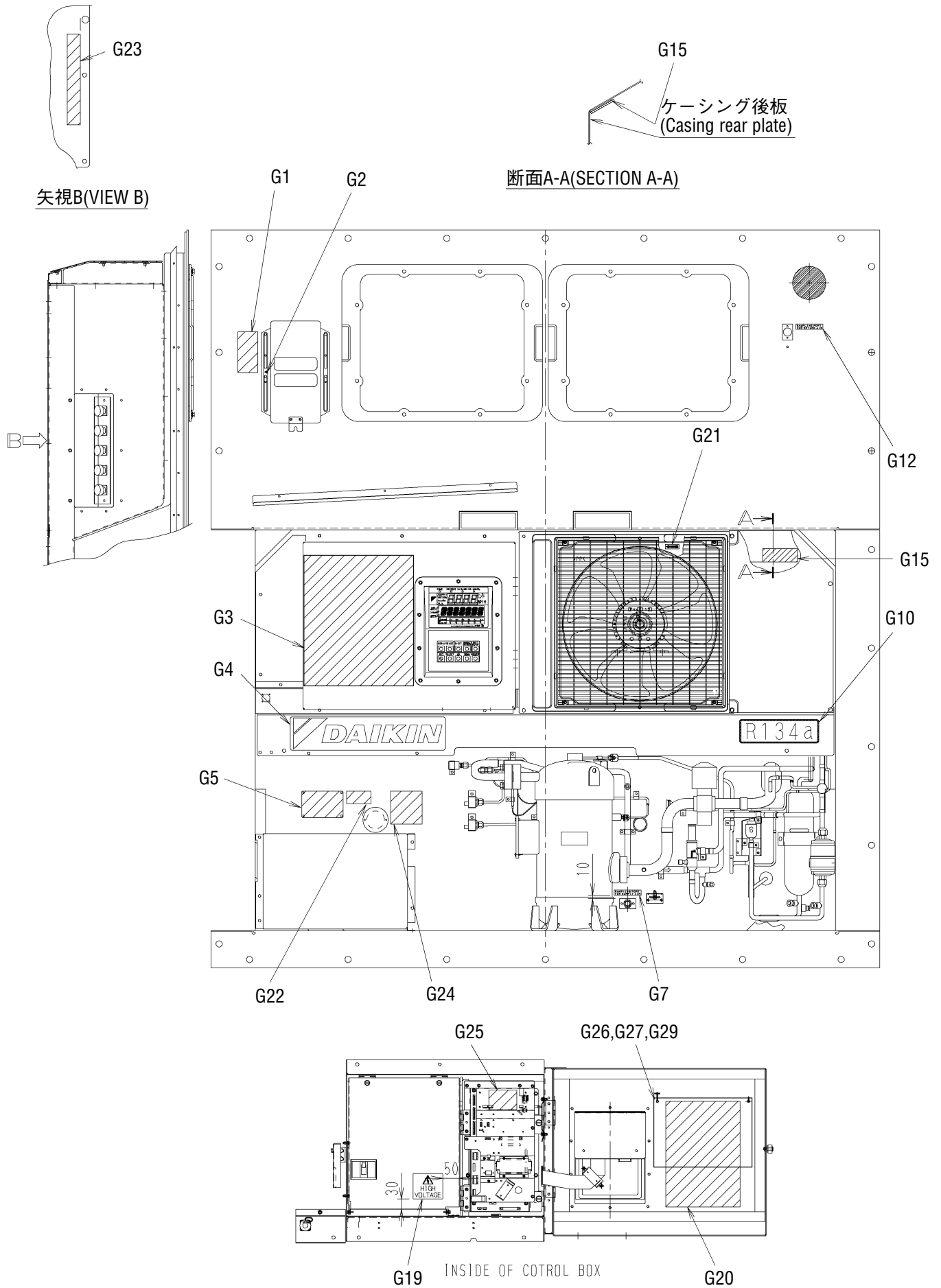
NO. 符号	INDEX	PARTS NO. 部品番号	PARTS NAME 部品名称	DWG. NO. 図面番号	TYPE SPECIFICATION 形式 仕様	QTY/UNIT 1台当たりの 所要数	REFER PAGE 参照ページ	
E45		1267008	Sealing packing	シールパッキン	3P011293-1	1	Page 39	
E46		1267015	Packing (side stay)	パッキン (サイドステー)	4P074127-1	BLACK	2	Page 39
E47		1326851	Packing(rear plate)	パッキン (裏板上)	3P073551-1	BLACK	1	Page 39
E52		1584260	Cushion rubber	緩衝ゴム	NE41013-4-230	L=230	1	Page 38
E54		1267060	Packing for prevention of air bypass	バイパス防止用パッキン	4P011733-1		2	Page 39
E55		1267077	Packing for prevention of vibration	CA前板ビビリ防止パッキン	4P050050-1		2	Page 24
E57		1267091	Wiring protection bush	配線保護ブッシュ	4P023920-1	BLACK	2	Page 30
E60		1267123	Thermal insulation tube piping	断熱筒配管緩衝材	4P011309-1		4	Page 37,38
E61		1584400	EV outlet pipe insulation tube	膨張弁出口配管防露筒	3P116142-1		1	Page 40
E63		1267154	Insulation tube evaporater header	蒸発器ヘッダー防露筒	4P073525-1		1	Page 40
E64		1267161	Cushion material suction pipe(1)	吸入配管緩衝材 (1)	3P073468-1		1	Page 40
E65		1267178	Cushion material suction pipe(2)	吸入配管緩衝材 (2)	3P073468-2		1	Page 40
E66		1267224	Cushion material suction pipe(3)	吸入配管緩衝材 (3)	3P073468-3		1	Page 40
E67		1584378	Cushion material suction pipe	吸入配管緩衝材	4P140007-1		1	Page 40
E69		1267255	Thermal insulation tube	断熱筒 (吸入弁・庫外側)	4P081186-1		1	Page 40
E70		1267262	Thermal insulation tube	断熱筒 (圧縮機根元・吸入弁)	4P081187-1		1	Page 40
E72		1267286	Thermal insulation tube	断熱筒配管緩衝材	4P011309-3		1	Page 38
E73		1267293	Thermal insulation tube	断熱筒配管緩衝材	4P011309-4		2	Page 36
E74		1497056	Tube cushion material	配管緩衝材	4PA50421-2		1	Page 37
E76		1267325	Thermal insulation tube(drain outlet)	断熱筒 (ドレン入口管防露筒)	4P067126-1		1	Page 40
E77		1485921	Thermal insulation tube(heat ex. inlet)	断熱筒 (熱入口管防露筒)	4P117089-1		1	Page 40
E78		1267349	Tube cushion material	配管緩衝材	4PA50427-1		1	Page 38
E79		0024640	Rubber bush	ゴムブッシュ	R3713279-3		5	Page 36
E80		1267356	Rubber bush	ゴムブッシュ	R3713279-4		2	Page 36
E81		0024640	Rubber bush	ゴムブッシュ	R3713279-3		3	Page 38
E82		1267370	Rubber bush	ゴムブッシュ	R3713279-2		2	Page 36
E83		1549825	U-packing	U字形パッキン	NA40014-4-170	L=170	1	Page 36
E84	B	1267394	Heat shrinkable tube	熱収縮チューブ	4PA60531-2		2	Page 37
E85		1549832	U-packing	U字形パッキン	NA40014-4-120		1	Page 36
E86	B	1270453	Heat shrinkable tube	熱収縮チューブ	4P075241-1		1	Page 37
E87		1497070	Insulation tape	不乾性形断熱テープ	3SA90101-3-KA		3	Page 36
E88		1494925	Protection plate, solenoid valve	保護板	4P093386-1		1	Page 37
E89		1270484	Mounting plate, solenoid valve	取付板	4P082208-1		1	Page 37
E90		1448371	Mounting plate, RSV	吸入比例弁防熱材	2P079441-1		1	Page 40
E91		1448388	Sealing material	吸入フランジシール材	4P083248-1		1	Page 36
E92		1381012	Protection rubber	保護ゴム	4PA43128-1		4	Page 37
E93		1381029	Thermal insulation tube	レヒートコイル出入口管防露筒	4P102857-1		2	Page 40
E94		1386985	Tube clamp, heat exchanger	管止め金, 二重管熱交	4P103281-51		1	Page 38
E95		1386992	Tube clamp, heat exchanger	管止め金, 二重管熱交	4P103281-56		2	Page 38
E96		1497102	Corrosion tape	吸入フランジ防食テープ	4P105751-1		2	Page 36



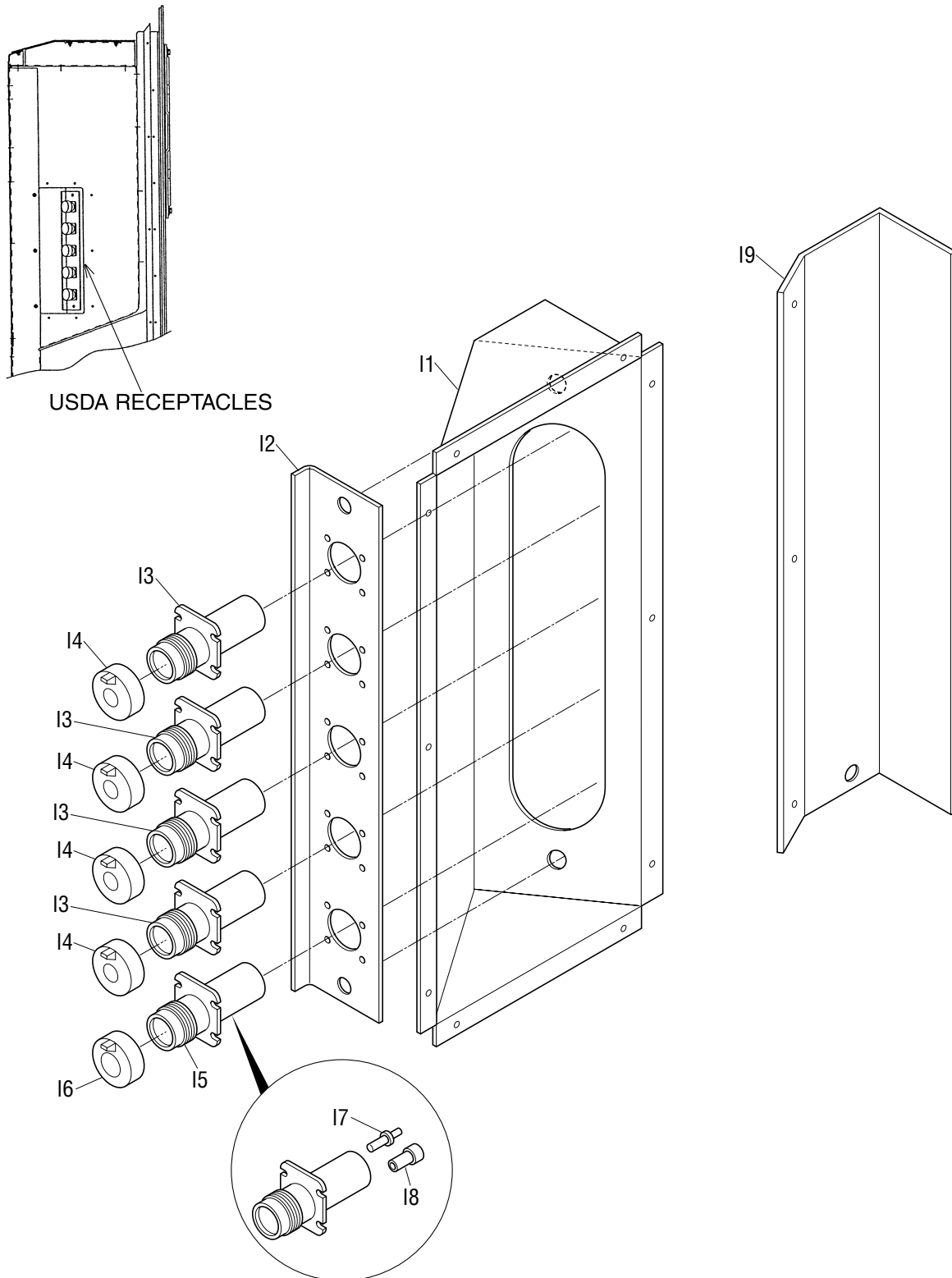


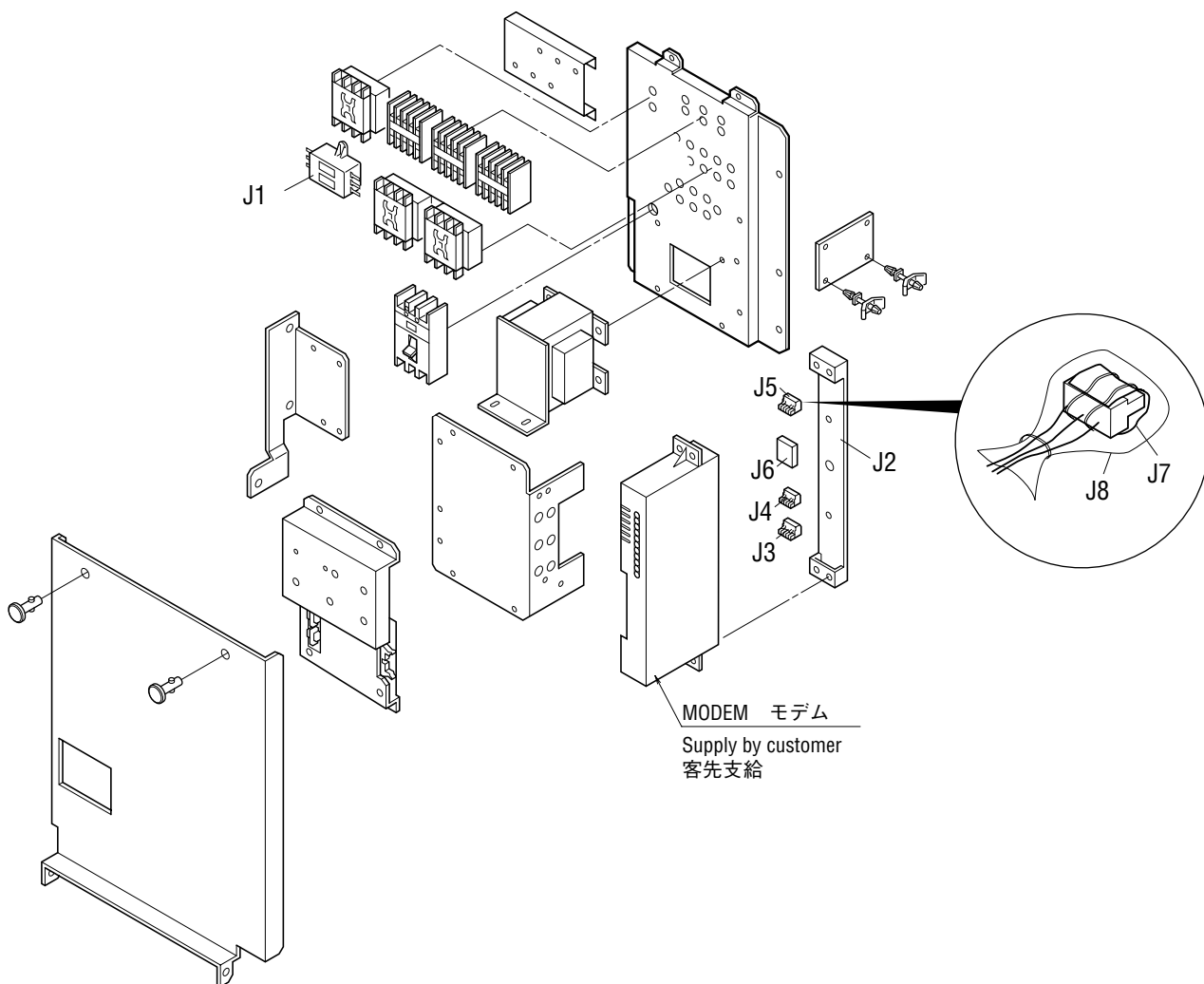
NO. 符号	INDEX	PARTS NO. 部品番号	PARTS NAME 部品名称	DWG. NO. 図面番号	TYPE SPECIFICATION 形式 仕様	QTY/UNIT 1台当たりの 所要数	REMARKS 備考	
F3		1136407	Hinge(recorder/box cover)	平蝶番 (レコーダボックス蓋)	4P021346-1	2		
F4		1136414	Patch plate nut	当板ナット	4P044898-2	2		
F6		1381050	Control box welding ass'y	C. BOX溶接組立品	2P098553-2	1		
F7	C	1381067	Control box cover ass'y	コントロールボックス蓋組立品	2P101874-1	1	Refer to Page 60	
F7-1		1136407	Hinge(recorder/box cover)	平蝶番 (レコーダボックス蓋)	4P021346-1	2		
F7-2		1136414	Patch plate nut	当板ナット	4P044898-2	2		
F7-3		0907093	Roller, quick lock lever	ワンタッチ金具用ローラ	4PA51277-1	1		
F7-4		1381074	Control box cover welding ass'y	コントロールボックス蓋溶接組立品	3P101873-2	1		
F7-5		1267457	Operation display cover	操作表示カバー	3P078251-1	t1.0	1	
F7-6		1010815	Display board	表示基板	2P010368-2	EC9755-2	1	
F7-7		1381081	Rubber gasket	ゴムガスケット (C. BOX蓋)	4P085198-1	1	Refer to Page 60	
F7-8	A	1295553	Control panel(with sheet key)	コントロールパネル(シートキー付)	3P085319-1	1		
F7-9		1128949	Packing	パッキン (樹脂パネル)	3P030317-1	1		
F13		1136539	Clamp	クランプ金具	4P015574-2	1		
F16-1		0907062	Seal washer	シール座金 (ボンテッド座金)	4PA21941-5	10		
F16-2		1267488	Pan head machine screw	アプセット小ネジ	4P067677-1	M5×16	10	
F17		1387197	Mounting plate welding ass'y	機器取付板 (1)	2P095432-1	1		
F18		1267503	Blind plate(2)	機器取付板 (2)	2P078296-1	t1.2	1	
F19		1381098	Mounting plate, terminal board	端子台基板取付板	3P090389-1	1		
F20		1381106	Fixing plate PC port	パソコンポート固定板	4P101826-1	1		
F22	A	1198931	Magnetic contactor(for Fans)	電磁接触器 (ファン用)	3P055568-1	24V PAK-6J31C	3	EFH,EFL,CFC
F23	A	1241493	Magnetic contactor(Phase correction contactor)	相順切換電磁接触器 (PCC)	3P071508-3	24V RSK-35J	1	PCC1,2
F24	A	1198917	Magnetic contactor(Compressor)	電磁接触器 (圧縮機)	3P055566-1	24V PAK35J-S536	1	CC
F25	A	1562796	Low frequency transfoemer	低周波変圧器	3P139293-1	1		
F26	C	1381113	PC port connector	パソコンポートコネクタ	3P073218-1	1		
F27	A	1381120	Circuit breaker(CB)	ノーフェーズブレーカ (CB)	3P093326-1	30A	1	NF1
F28	C	1141144	Contact, receptacle	コンタクト、レセプタクル用	3P010806-1	HD10	3	
F29		1381137	Cover ass'y, PC port	パソコンポートカバー組立品	3P010743-2	1		
F30	A	0954633	PT/CT board	PT/CTボード	2P010906-3	1		
F31	A	1256116	Terminal strip board	端子台基板	2P078284-1	1		
F31-1	A	0030652	Fuse, controller	制御用ヒューズ	4SA42006-4	250V 10A	6	
F32		1381144	Humidity sensor mounting plate	湿度センサ取付板	4P010921-1	1		
F33	A	0329679	Reverse phase protector	逆相保護装置 (RPP)	3SA42153-1	346-440V	1	
F34	A	1584284	Controller ass'y	コントローラ組立品	3P101756-7	1		
F34-1	A	1581379	CPU board ass'y	プリント基板ASSY	2P065387-16	1		
F34-2	A	1378751	I/O board	I/Oボード	2P010367-2	1		
F34-3		1381151	Bottom plate, controller	コントローラ底板	2P098577-1	t1.2	1	
F34-4	B	1381168	Controller cover	蓋 (コントローラ)	2P099967-1	t1.2	1	
F34-5		1099940	Support bushing, PCB	プリント基板サポートブッシュ	MI49531-11	14		
F34-6		1099957	Support color, PCB	プリント基板サポートカラー	MI49531-13	14		

NO. 符号	INDEX	PARTS NO. 部品番号	PARTS NAME	部品名称	DWG. NO. 図面番号	TYPE SPECIFICATION 形式 仕様	QTY/UNIT 1台当たりの 所要数	REMARKS 備考
F34-7		1267572	Rubber transistor	放熱用ゴムトランジスタ	4P005330-1		2	
F34-8	A	1250783	PC board for suction modulating valve	プリント基板ASSY (吸入制御弁用)	3P065441-1	EC0058	1	
F34-8-1	A	670223	Fuse, controller	制御用ヒューズ	4SA42006-3	250V 5A	1	
F34-9		1267596	Locking wire saddle	ロッキングワイヤサドル	4P015570-2	LWS	3	
F34-10		1267604	Flat cable clamp	フラットケーブルクランプスナップタイプ	4P015573-1		1	
F34-11		1136539	Clamp	クランプ金具	4P015574-2		1	
F34-12		1267611	Speed bolt	スピードボルト (M6)	4P048680-3	M6×20(S)	2	
F34-13		860005	Washer, speed bolt	スピードボルト用座金	R4713334		4	
F34-14		840002	Drop out prevention washer	脱落防止座金	R4718607-6		2	
F35		1267628	Wire(wire ground)	電線 (電線グラウンド)	4P067662-1		1	
F36		1267635	Wire(wire ground)	電線 (電線グラウンド)	4P067663-1		4	
F37		1267642	Flexible tube connector	フレキシブル管用コネクタ	4P010926-6		2	
F38		1267659	Flexible wire tube	フレキシブル電線管	3P010927-62		2	
F39		1267666	Quick fastener	クイックファスナー	4P064642-1		2	
F40		860015	Universal nut	自在ナット	R4713188-1		2	
F42		833302	Nylon nut	ナイロンナット	R4716460-1	M4	4	
F44		1099940	Support bushing, PCB	プリント基板サポートブッシュ	MI49531-11		7	
F45		1099957	Support color, PCB	プリント基板サポートカラー	MI49531-13		7	
F46		981616	Locking card spacer	ロッキングカードスペーサー	R3428091-3	KGLS-8S	4	
F48		1326820	Packing, control box front panel	パッキン(コントロールボックス前板)	4P085513-1		1	
F49		1136539	Clamp	クランプ金具	4P015574-2		2	
F50		1267712	Clamp	クランプ金具	3P049495-1		1	
F57		1549894	Set plate(PT/CT board)	機器取付板 (PT/CTボード)	3P126713-1		1	
F58		1267781	Mounting plate, elect components	電装品取付板	4P064227-1	t=1.2	1	
F59		1549902	Set plate(breaker)	機器取付板 (ブレーカ)	3P126712-1		1	
F61		1295623	Fixture(instruction ring)	固定具(インストラクションリング)	4P064698-1		1	
F62		1381175	PC board spacer	サーキットボードスペーサ	4P000347-1		4	
F63		1295630	Lever	ワンタッチ金具	4P085171-1		1	
F64		1295647	Fixing plate for lever	ワンタッチ金具取付板	4P085164-1		1	
F65		0907125	Sealed sheet	絶縁シート (ワンタッチ金具)	4PA52417-1	t0.075±0.01	1	
F66		0907132	Sealed sheet	絶縁シート (ワンタッチ金具)	4PA52417-2	t0.075±0.01	1	
F67		833301	Nut	ナイロンナット	R4716460-3	M6	3	
F68		1562859	Mounting plate, cover	機器カバー取付板	4P095433-1		1	
F69		1378441	Stainless rivet	ステンレスリベット	4P057425-2		2	
F70		1378162	Chargable battery ass'y	充電器組立品	2P103790-1		1	
F70-1		1381182	P.C.B Ass'y	充電P板組立品	2P103790-1-KA		1	
F70-2		1381207	Chargable battery	チャージャブルバッテリー	2P103790-1-KI		1	
F70-3		1381214	Battery holder	電池ホルダー	2P103790-1-KU		1	
F71		1381221	Seal pin	平行ピン	3P040139-1		2	
F72	A	0927770	Humidity sensor (HUS)	湿度センサー	3PA61738-1		1	

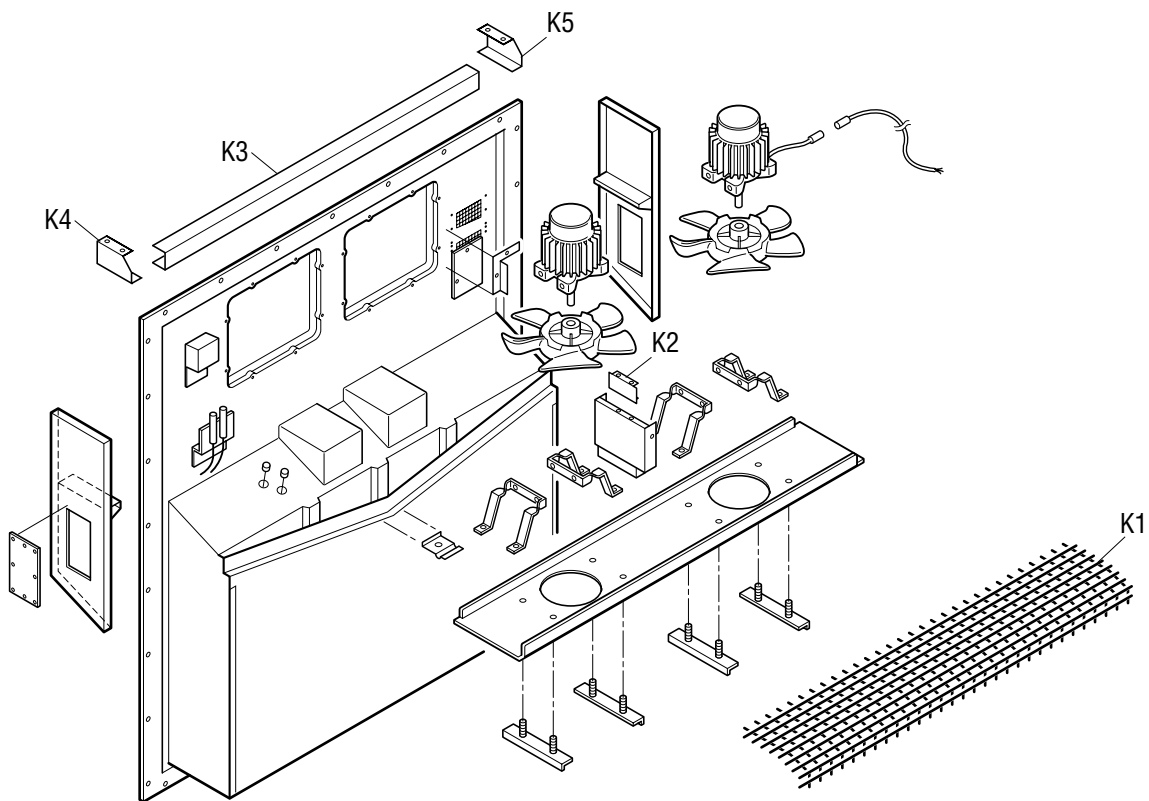


NO. 符号	INDEX	PARTS NO. 部品番号	PARTS NAME	部品名称	DWG. NO. 図面番号	TYPE SPECIFICATION 形式 仕様	QTY/UNIT 1台当たりの 所要数	REMARKS 備考
G1		1584291	Name plate, ventilator	換気口銘板	4P146327-1	English	1	
G2		1267952	Name plate, ventilator arrow	ベンチレータ矢印銘板	4P018502-1		1	
G3		1557042	Name plate, operation	操作銘板	1P136900-1	English	1	
G4		1306530	Name plate, brand name	意匠銘板	4P085985-1	English	1	
G5		1381339	Name plate, unit performance	機械銘板	3P066702-1	English	1	
G7		1381423	Name plate, supply	指示銘板 (SUPPLY銘板)	4P103582-2		1	
G10		1178843	Name plate, refrigerant	冷媒銘板	3P009750-1		1	
G12		1381346	Name plate, return	指示銘板 (RETURN銘板)	4P103582-1		1	
G15		1381360	Name plate, solenoid valves	電磁弁配置銘板	4P103583-1	English	1	
G19		1181267	Caution label, high voltage	高電圧注意銘板	4P010095-1	English	1	
G20		1584309	Name plate, wiring diagram	配線図銘板	2D047172-1		1	
G21		0345587	Name plate, arrow	矢印銘板	YA41011-1		1	
G22		1584316	Name plate, warranty period	保証期間銘板	4P146577-1		1	
G23		1381391	Name plate, USDA	USDA銘板	3P074006-1		1	
G24		1381409	Caution label, refrigerant recovery	フロン回収・破力法	3P086874-1		1	
G25		1381416	Operation name plate, emergency	エマージェンシー銘板	3P069655-1		1	
G26		1372498	Instruction card, emergency & Service	インストラクションカード(エマージェンシー&サービス)	3P092354-1		1	
G27		1584323	Instruction card, basic operation	インストラクションカード(基本操作)	3P146326-1		1	
G29		1584330	Instruction card(Intial setting)	インストラクションカード(初期設定)	3P146678-1		1	

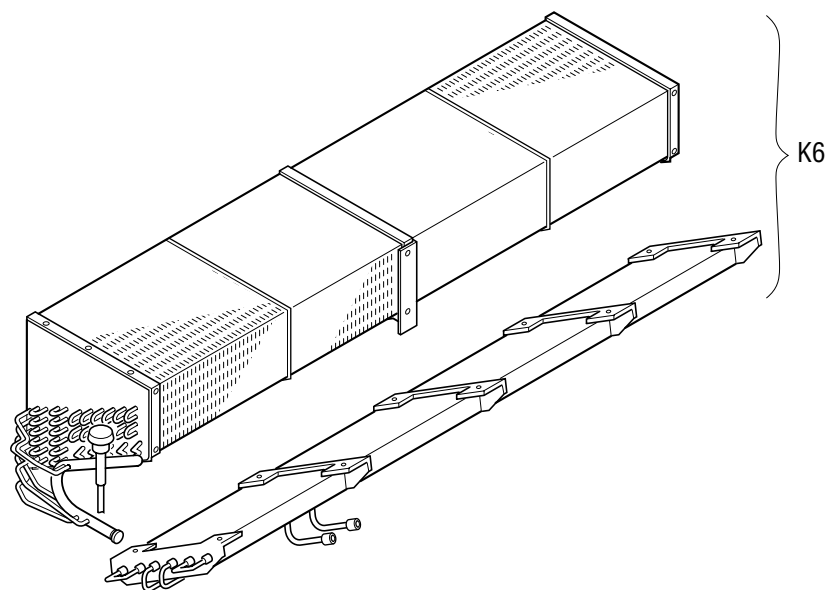




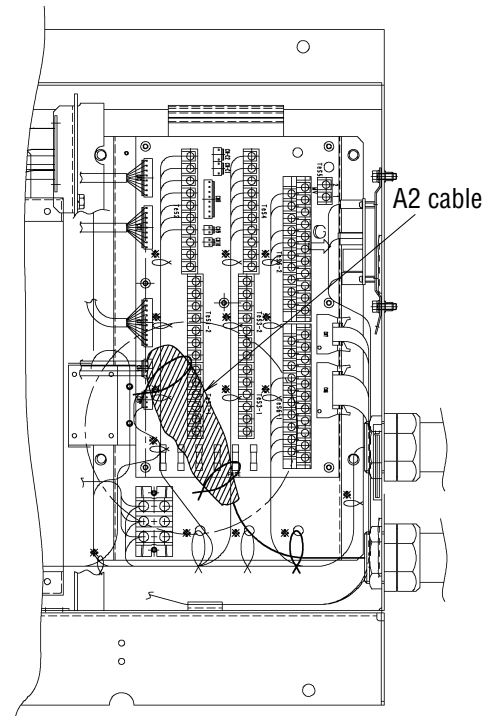
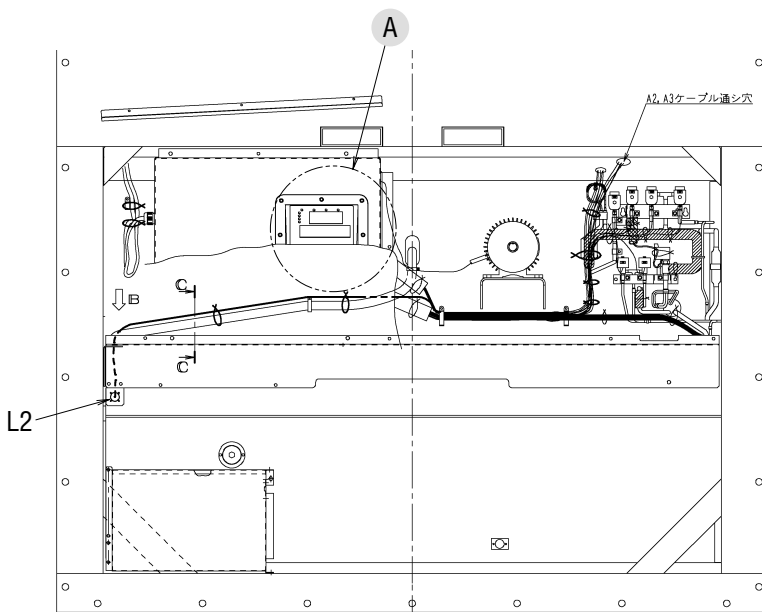
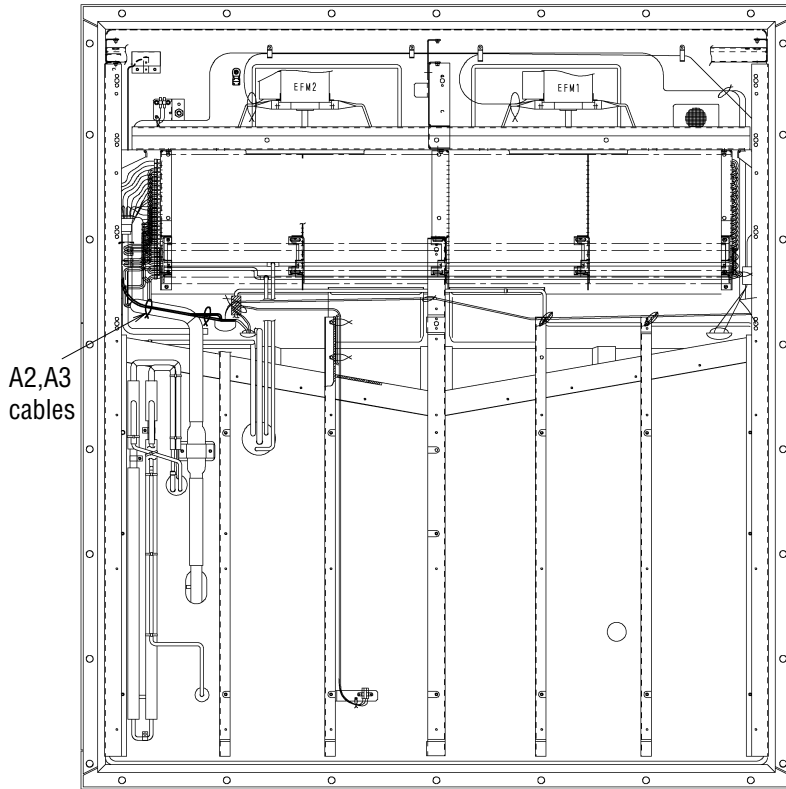
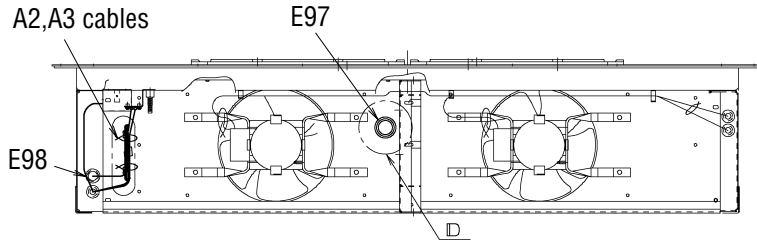
1. Indoor fan guard
1. 庫内ファンガード



2. Evaporator coil
2. 蒸発器コイル組立品

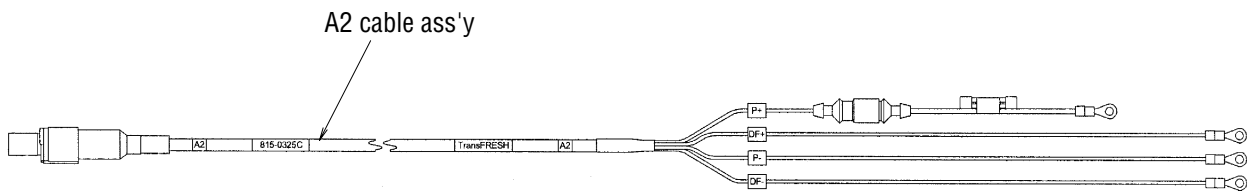


NO. 符号	INDEX	PARTS NO. 部品番号	PARTS NAME 部品名称	DWG. NO. 図面番号	TYPE SPECIFICATION 形式 仕様	QTY/UNIT 1台当たりの 所要数	REMARKS 備考
K1		1381478	Fan cover 庫内ファンカバー	2P094862-1		1	
K2		1381485	Fixing plate, fan cover ファンカバー固定板	4P103482-1		1	
K3		1381492	Stay, fan cover 庫内ファンカバーステー	3P094786-1		1	
K4		1381500	Fixture, fan cover(left) 固定具（網／左）	3P098695-1		1	
K5		1381517	Fixture, fan cover(right) 固定具（網／右）	3P098695-2		1	
K6		1380691	Evaporator ass'y 蒸発器組立品	2P071832-1		1	

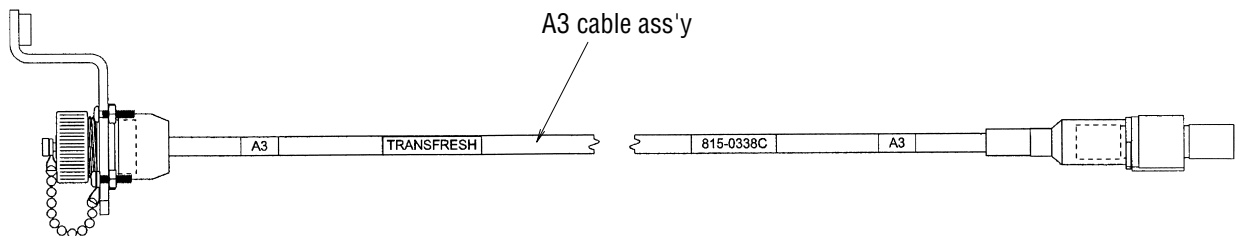


A内部詳細 (Detail of inside A)

NO. 符号	INDEX	PARTS NO. 部品番号	PARTS NAME	部品名称	DWG. NO. 図面番号	TYPE SPECIFICATION 形式 仕様	QTY/UNIT 1台当たりの 所要数	REMARKS 備考
L1		1584347	A2 cable ass'y	A2ケーブル組立品+防水キャップ	3P145289-1		1	
L2		1584354	A3 cable ass'y	A3ケーブル組立品+防水キャップ仕様	3P145293-1		1	
E97		1584277	Rubber bush	ゴムブッシュ (膜付)	4P145364-1		1	Refer to Page 38,56
E98		1267356	Rubber bush	ゴムブッシュ	R3713279-4		1	Refer to Page 38,56
A38		1584152	Single purge port ass'y	シングルパージポート組立品	3P039625-1		1	Refer to Page 25



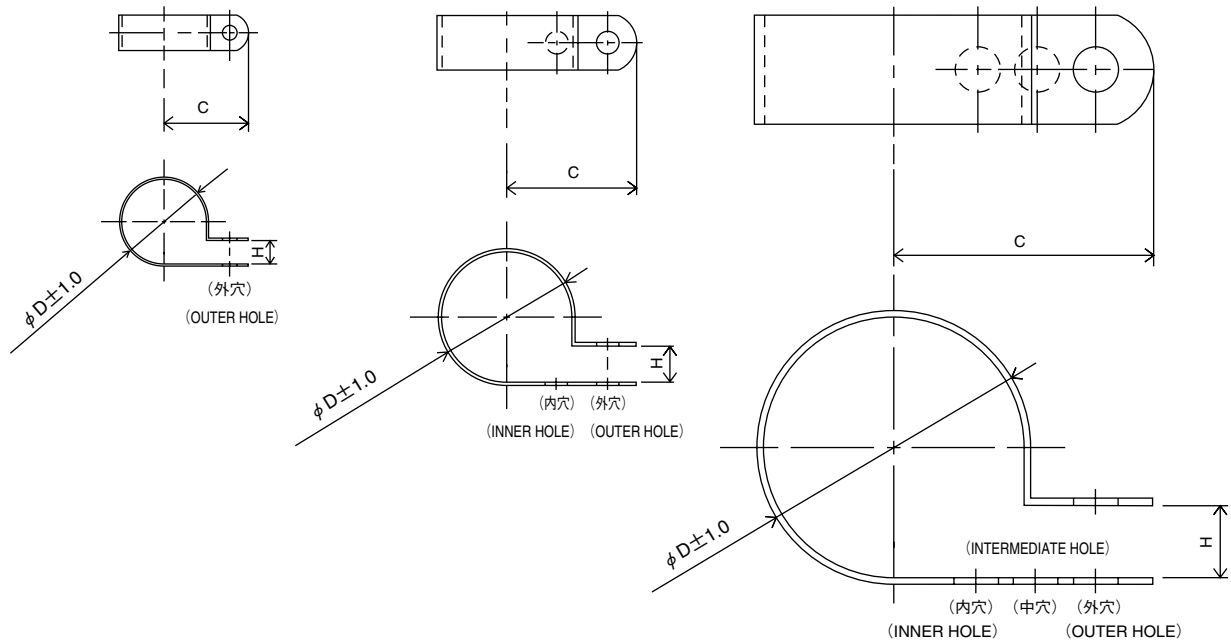
L1詳細 (L1 detail)



L2詳細 (L2 detail)

1. Resin clamp

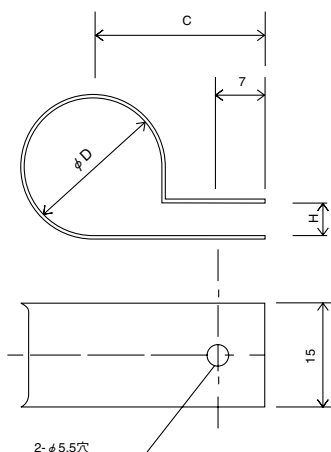
1. 樹脂バンド



NO. 符号	PARTS NO. 部品番号	PARTS NAME	部品名称	DWG NO. 図面番号	SIZE サイズ			QTY 使用個数
					D	C	H	
E9	0118273	Resin clamp	樹脂バンド	NE41015-2	6.8	15.8	4.8	5
E11	0944528	Resin clamp	樹脂バンド	NE41015-7	19.8	24.6	7.9	2
E10	1222764	Resin clamp	樹脂バンド	NE41015-9	26.9	27.8	7.9	1
E12	0142492	Resin clamp	樹脂バンド	NE41015-10	29.2	29.4	7.9	2
E13	1266788	Resin clamp	樹脂バンド	NE41015-12	39.4	34.2	9.5	4

2. Tube clamp

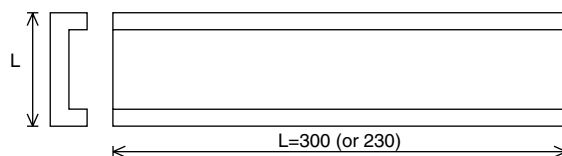
2. 管止金



NO. 符号	PARTS NO. 部品番号	PARTS NAME	部品名称	DWG NO. 図面番号	SIZE サイズ			QTY 使用個数
					D	C	H	
E15	0782775	Tube clamp	管止金	NE31016-51	10	20	3	5
E16	1584208	Tube clamp, Nylon Coating	管止金、ナイロンコーティング	4P143802-52	12	21	3	2
E17	1584215	Tube clamp, Nylon Coating	管止金、ナイロンコーティング	4P143802-51	10	20	3	6
E18	1584222	Tube clamp, Nylon Coating	管止金、ナイロンコーティング	4P143802-54	16	23	4	1
E19	0700090	Tube clamp	管止金	NE31016-54	16	23	4	1
E20	0016290	Tube clamp	管止金	NE31016-56	20	25	5	1
E21	1584239	Tube clamp, Nylon Coating	管止金、ナイロンコーティング	4P143802-71	6.4	20	1	7
E27	1266858	Tube clamp	管止金	NE31016-59	26	28	5	1
E29	1584246	Tube clamp, Nylon Coating	管止金、ナイロンコーティング	4P143802-59	26	28	5	1
E6	1270439	Tube clamp	管止金	NE31016-61	30	30	5	2

3. Cushion rubber for pipe clamp

3. 管止金用緩衝ゴム



SIZE L :
NE41013-3 L=22
NE41013-4 L=42

NO. 符号	PARTS NO. 部品番号	PARTS NAME	部品名称	DWG NO. 図面番号	QTY 使用個数	REMARKS 備考
E35	1266911	Cushion rubber	管止金用緩衝ゴム	NE41013-3-300	1	Cut to suit pipe size. 配管サイズに合わせて切 って使用のこと
E85		Cushion rubber	管止金用緩衝ゴム	NE41013-4-230	1	Cut to suit pipe size. 配管サイズに合わせて切 って使用のこと

1. Parts recommended to be ordered together with packing, gasket, sealing material and name plate
1. 発注の際にパッキングやシール材、銘板等の同時発注を推奨する部品

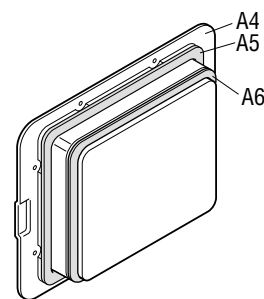
For ordering following spare parts, we recommend that you order the following packing, gasket, sealing material and name plate together at the same time.

上記のサービス扉やボックスカバーを発注の際には、下記のパッキングを同時に発注することをおすすめします。

(1) Service door

(1) サービス扉

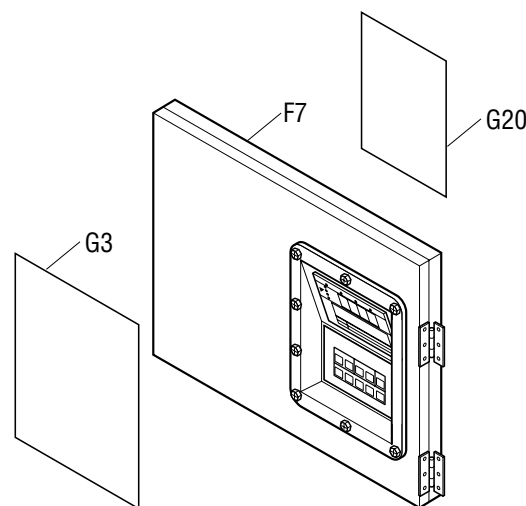
NO. 符号	PARTS NO. 部品番号	PARTS NAME	部品名称	DWG NO. 図面番号	REMARKS 備考
A4	0980423	Access panel ass'y	サービス扉組立品	1P006678-1	(Without cushion and sealing material) (クッション材、シール材なし)
A5	1266207	Cushion material	クッション材	3P033608-1	
A6	1196113	Sealing material	シール材	3P001640-2	



(2) Control box cover

(2) コントロールボックスカバー

NO. 符号	PARTS NO. 部品番号	PARTS NAME	部品名称	DWG NO. 図面番号
F7	1381067	Control box cover ass'y	コントロールボックスフタ組立品	2P101874-1
G3	1557042	Name plate, operation	操作銘板	1P136900-1
G20	1584309	Name plate, wiring diagram	電気配線図銘板	2D047172-1



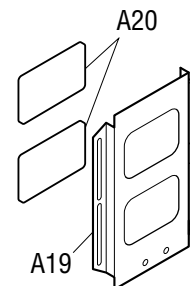
※Rubber gasket, sheet key is attached to control box cover ass'y.

※ゴムガスケットとシートキーはコントロールボックス組立品に付属しています。

(4) Ventilation cover

(4) 換気口蓋

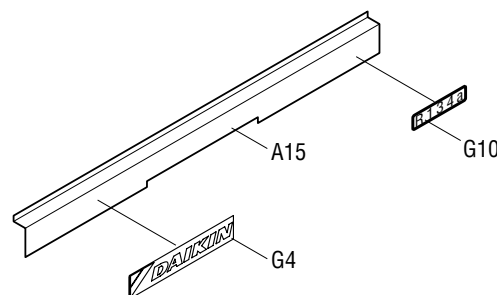
NO. 符号	PARTS NO. 部品番号	PARTS NAME 部品名称	DWG NO. 図面番号	REMARKS 備考
A19		Ventilation cover 換気口蓋	3P067053-1	
A20	1266221	Sealing material (access panel) シール材 (換気口)	4P016185-1	Required 2 pcs.



(5) Front plate (CA)

(5) 前板 (CA)

NO. 符号	PARTS NO. 部品番号	PARTS NAME 部品名称	DWG NO. 図面番号
A15	1270338	Front plate (CA) 前板 (CA)	2P061345-1
G4	1306530	Name plate, brand name 意匠銘板	4P085985-1
G10	1178843	Name plate, refrigerant 冷媒銘板	3P009750-1



2. Order for motorized valve, solenoid valve and pressure regulating valve

2. 電動弁・電磁弁・圧力調整弁の発注

Refer to the following table for the name, main body, solenoid coil and ass'y of solenoid valves etc. applied to this model.

この機種に使用されている電磁弁等の名称と本体・コイル・組立品は下記のとおりです。

	Body/Coil 本体/コイル	NO. 符号	PARTS NO. 部品番号	PARTS NAME	部品名称	DWG NO. 図面番号	Common Parts 共通部品		
							NEV-803DXF	NEV-202DXF	NEV-MOAB507C1
1.EV	本体 Body	B7-3	1256495	Electronic expansion valve body	電子膨張弁本体	2SA50010-2-KU			
	コイル Coil	B20	1381430	Electronic expansion valve coil	電子膨張弁コイル	2P010454-2			
2.HSV	本体 Body	B7-4	0944566	Hot gas solenoid valve body	ホットガス電磁弁本体	R3305118-1	○		
	コイル Coil	B7-5	0955287	Hot gas solenoid valve coil	ホットガス電磁弁コイル	3P010453-1			○
3.DSV	本体 Body	B7-4	0944566	Defrost bypass solenoid valve body	デフロストバイパス電磁弁本体	R3305118-1	○		
	コイル Coil	B7-5	0955287	Defrost bypass solenoid valve coil	デフロストバイパス電磁弁コイル	3P010453-1			○
4.BSV	本体 Body	B7-4	0944566	Gas bypass solenoid valve body	ガスバイパス電磁弁本体	R3305118-1	○		
	コイル Coil	B7-5	0955287	Gas bypass solenoid valve coil	ガスバイパス電磁弁コイル	3P010453-1			○
5.RSV	本体 Body	B7-4	0944566	Reheat coil bypass solenoid valve body	レヒートコイルバイパス電磁弁本体	R3305118-1	○		
	コイル Coil	B7-5	0955287	Reheat coil bypass solenoid valve coil	レヒートコイルバイパス電磁弁コイル	3P010453-1			○
6.ESV	本体 Body	B7-6	0088738	Economizer solenoid valve body	エコノマイザー電磁弁本体	R3305099-1-KI		○	
	コイル Coil	B7-7	0955287	Economizer solenoid valve coil	エコノマイザー電磁弁コイル	3P010453-1			○
7.ISV	本体 Body	B7-6	0088738	Injection solenoid valve body	インジェクション電磁弁本体	R3305099-1-KI		○	
	コイル Coil	B7-7	0955287	Injection solenoid valve coil	インジェクション電磁弁コイル	3P010453-1			○
8.LSV	本体 Body	B4-5	0944566	Liquid solenoid valve body	液電磁弁本体	R3305118-1	○		
	コイル Coil	B4-6	0955287	Liquid solenoid valve coil	液電磁弁コイル	3P010453-1			○
9.SMV	組立品 Ass'y	B8-1	1254538	Suction modulating Valve	吸入比例弁組立品	2P078385-1			Note 1 注 1
10.DPR	組立品 Ass'y	B3-4	1241361	Discharge pressure regulating valve	吐出圧力調整弁	3P074558-1			

Note 1 : Refer Page 6 for detail parts of suction modulating valve.

注 1 : SMV（吸入比例弁）の詳細部品はP.26を参照ください。

3. Order for pressure trasducer

3. 圧力センサーの発注

Refer to the following table for the pressure transducer applied to this model.

For ordering pressure transducer, we recommend that you order the following best shrinkable tube together at the same time.

この機種に使用している圧力センサーは下記の通りです。

圧力センサー発注の際は、下記の熱収縮チューブを同時に発注することをおすすめします。

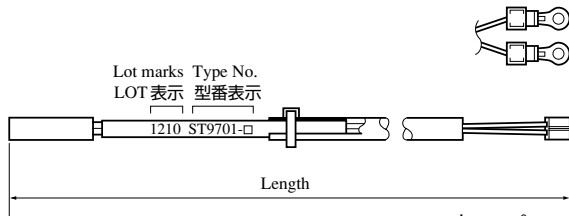
呼称名	NO. 符号	PARTS NO. 部品番号	PARTS NAME	部品名称	DWG NO. 図面番号	TYPE 形式	REMARKS 備考
HPT	B16	0797234	High pressure transducer	高压圧力センサー	4PA60522-1	SPCH01	
	B17	1011058	Cable, high pressure transducer	高压圧力センサー用ケーブル	3P008835-1		
LPT	B15	0797241	Low pressure transducer	低压圧力センサー	4PA60524-1	SPCL02	
	B18	1011065	Cable, low pressure transducer	低压圧力センサー用ケーブル	3P008835-2		
	E84	1267394	Heat shrinkable tube	熱収縮チューブ	4PA60531-2		Must be applied when replacing above sensors. 上記圧力センサー交換時使用の事。

4. Order for temperature sensor

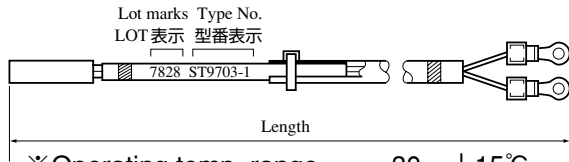
4. 温度センサーの発注

Refer to the following table for temperature sensors applied to this model.

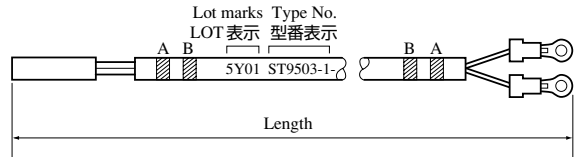
この機種に使用されている温度センサーは下記の通りです。



※Operating temp. range -30~+150℃
使用温度範囲 -30~+150℃



※Operating temp. range -30~+15℃
使用温度範囲 -30~+15℃



※Operating temp. range -30~+70℃
使用温度範囲 -30~+70℃

※1 Location 取付場所

Indoor A : Indoor supply air side

Indoor B : Indoor return air side

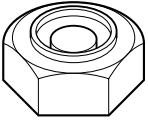
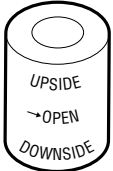
庫内A : 庫内吹出空気側

庫内B : 庫内吸込空気側

呼称	NO. 符号	PARTS NO. 部品番号	PARTS NAME 部品名称	DWG. NO. 図番	TYPE 形式	WIRE COLOR 配線色		LENGTH 全長mm	※1 LOCATION 取付場所	TEMPORALY EXCHANGABILITY 緊急時互換性	
						A	B				
1. SS	C24	1375310	Supply air temp. sensor	吹出空気温度センサー	3PA61769-11	ST9503-11	green 緑	-	4700	Indoor A 庫内A	○
2. DSS	C25	1375327	Data recorder supply air temp. sensor	データレコーダ吹出空気温度センサー	3PA61769-12	ST9503-12	green 緑	Red 赤	4700	Indoor A 庫内A	○
3. RS	C26	1375334	Return air temp. sensor	吸込空気温度センサー	3PA61769-13	ST9503-13	Blue 青	-	6700	Indoor B 庫内B	○
4. DRS	C27	1375341	Data recorder return air temp. sensor	データレコーダ吸込空気温度センサー	3PA61769-14	ST9503-14	Blue 青	Red 赤	6700	Indoor B 庫内B	○
5. EIS	D4	1562828	Evaporator inlet temp. sensor	蒸発器入口温度センサー	3P012118-2	ST9703-2	-	Black 黒	2500	Indoor EVP. 庫内蒸発器	
6. EOS	D5	1562835	Evaporator outlet temp. sensor	蒸発器出口温度センサー	3PA61769-15	ST9503-15	Yellow 黄	-	2600	Indoor EVP. 庫内蒸発器	○
7. DCHS	B11	0983321	Discharge pipe temp. sensor	吐出管温度センサー	3SA48009-10	ST9701-10	-	-	2800	Outdoor 庫外	
8. AMBS	B12	0798321	Ambient air temp. sensor	外気温度センサー	3PA61769-6	ST9503-6	-	-	3200	Outdoor 庫外	○
9. SGS	B13	0983338	Compressor suction gas temp. sensor	圧縮機吸入ガス温度センサー	3PA61769-9	ST9503-9	White 白	-	3200	Outdoor 庫外	○

1. Tools for emergency operation

1. 緊急運転用工具

NO. 符号	PARTS NO. 部品番号	PARTS NAME	部品名称	DWG NO. 図面番号	USE 用途	ILLUSTRATION 姿図
-	1080263	Emergency coil cap	エマージェンシー コイルキャップ	3P017370-1	For electronic expansion valve 電子膨張弁用	
-	1270530	Emergency magnet	エマージェンシー マグネット	2P078385-2	Suction modulating valve 吸入比例弁用	

(See Service Manual for application.)

(使用方法はサービスマニュアルを参照ください。)

2. Personal computer cable (for DCCS)

2. パソコンケーブル（DCCS用）

The following parts are connector cables required to exchange information between the refrigeration unit and personal computer. The table below describes parts required to apply to Model LXE-C, -D, and -E new model.

下記の部品は冷凍ユニットとパソコンの情報交換に必要なコネクタ、ケーブル類です。LXE-C型、D型、及び新機種E型対応に必要な部品を掲載しています。

[TYPE A]タイプA

LXE10C LXE10CA LXE10D for MOL	LXE10C LXE10CA MOL用LXE10D	
(Receptacle) RS232C (Female) on the controller	(レセプタクル) RS232C (メス) コントローラー側	

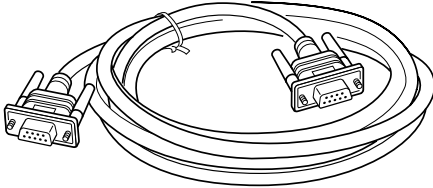
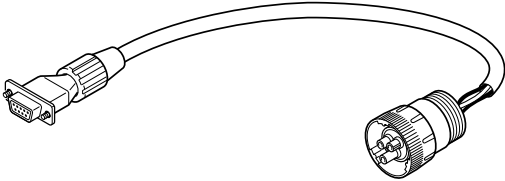
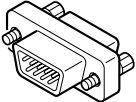
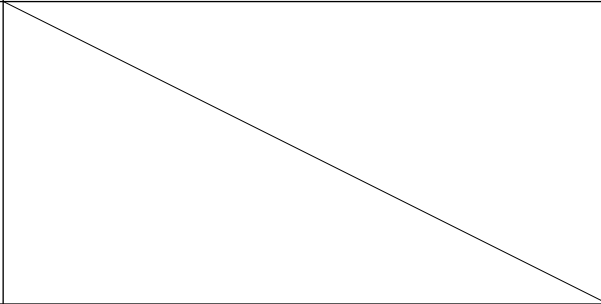
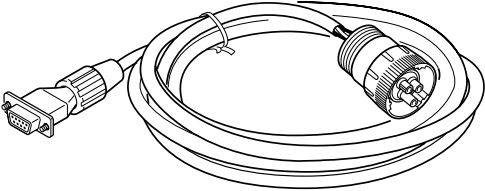
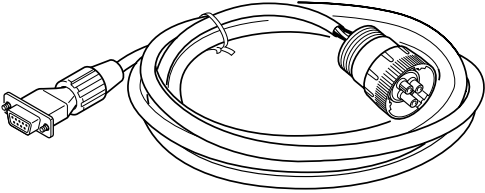
[TYPE B]タイプB

LXE10D LXE10E	LXE10D LXE10E	
(Receptacle) Water proof type on the unit	(レセプタクル) コンテナ冷凍機 ユニットの防水型	

(1) Parts No.

(1) 部品番号

NO. 符号	PARTS NO. 部品番号	PARTS NAME	部品名称	REMARKS 備考
①	Local supply 市販品	Connection cable (reverse)	接続ケーブル (リバース)	RS232C reverse (cross) type RS232Cリバース (クロス) 型
②	9993324	Connection cable	接続ケーブル	
③	Local supply 市販品	Adapter (gender changer)	アダプター (ジェンダーチェンジャー)	D-sub 9P, Male-Male Dサブ9ピン、オス-オス
④	1087149	Connection cable (3 Pins)	接続ケーブル (3ピン)	LXE10E-A Standard LXE10E-A標準
⑤	1384509	Connection cable (5 Pins)	接続ケーブル (5ピン)	For LXE10E-A14,A15 LXE10E-A14、A15用

NO. 符号	Illustration 姿図	Internal Wiring 内部配線																														
①		<p>RS232C Female RS232C Female</p> <p>メス メス</p> <table border="0"> <tr><td>1</td><td>↔</td><td>1</td></tr> <tr><td>2</td><td>↔</td><td>2</td></tr> <tr><td>3</td><td>↔</td><td>3</td></tr> <tr><td>4</td><td>↔</td><td>4</td></tr> <tr><td>5</td><td>↔</td><td>5</td></tr> <tr><td>6</td><td>↔</td><td>6</td></tr> <tr><td>7</td><td>↔</td><td>7</td></tr> <tr><td>8</td><td>↔</td><td>8</td></tr> <tr><td>Frame</td><td></td><td>Frame</td></tr> <tr><td>フレーム</td><td></td><td>フレーム</td></tr> </table>	1	↔	1	2	↔	2	3	↔	3	4	↔	4	5	↔	5	6	↔	6	7	↔	7	8	↔	8	Frame		Frame	フレーム		フレーム
1	↔	1																														
2	↔	2																														
3	↔	3																														
4	↔	4																														
5	↔	5																														
6	↔	6																														
7	↔	7																														
8	↔	8																														
Frame		Frame																														
フレーム		フレーム																														
②		<p>Daikin made RS232C Female</p> <p>ダイキン製 メス</p> <table border="0"> <tr><td>A</td><td>Red</td><td>1</td></tr> <tr><td>B</td><td>White</td><td>2</td></tr> <tr><td>C</td><td>Black</td><td>3</td></tr> <tr><td></td><td></td><td>4</td></tr> <tr><td></td><td></td><td>5</td></tr> <tr><td></td><td></td><td>6</td></tr> <tr><td></td><td></td><td>7</td></tr> <tr><td></td><td></td><td>8</td></tr> <tr><td></td><td></td><td>9</td></tr> </table>	A	Red	1	B	White	2	C	Black	3			4			5			6			7			8			9			
A	Red	1																														
B	White	2																														
C	Black	3																														
		4																														
		5																														
		6																														
		7																														
		8																														
		9																														
③																																
④		<p>Daikin made RS232C Female</p> <p>ダイキン製 メス</p> <table border="0"> <tr><td>A</td><td>Red 赤</td><td>1</td></tr> <tr><td>B</td><td></td><td>2</td></tr> <tr><td>C</td><td>White 白</td><td>3</td></tr> <tr><td></td><td></td><td>4</td></tr> <tr><td></td><td>Black 黒</td><td>5</td></tr> <tr><td></td><td></td><td>6</td></tr> <tr><td></td><td></td><td>7</td></tr> <tr><td></td><td></td><td>8</td></tr> <tr><td></td><td></td><td>Frame</td></tr> <tr><td></td><td></td><td>フレーム</td></tr> </table>	A	Red 赤	1	B		2	C	White 白	3			4		Black 黒	5			6			7			8			Frame			フレーム
A	Red 赤	1																														
B		2																														
C	White 白	3																														
		4																														
	Black 黒	5																														
		6																														
		7																														
		8																														
		Frame																														
		フレーム																														
⑤		<p>Daikin made RS232C Female</p> <p>ダイキン製 メス</p> <table border="0"> <tr><td>A</td><td>Red 赤</td><td>1</td></tr> <tr><td>B</td><td></td><td>2</td></tr> <tr><td>C</td><td>White 白</td><td>3</td></tr> <tr><td>D</td><td></td><td>4</td></tr> <tr><td>E</td><td>Black 黒</td><td>5</td></tr> <tr><td></td><td></td><td>6</td></tr> <tr><td></td><td></td><td>7</td></tr> <tr><td></td><td></td><td>8</td></tr> <tr><td></td><td></td><td>Frame</td></tr> <tr><td></td><td></td><td>フレーム</td></tr> </table>	A	Red 赤	1	B		2	C	White 白	3	D		4	E	Black 黒	5			6			7			8			Frame			フレーム
A	Red 赤	1																														
B		2																														
C	White 白	3																														
D		4																														
E	Black 黒	5																														
		6																														
		7																														
		8																														
		Frame																														
		フレーム																														

<https://daikin-p.ru>

MEMO

<https://daikin-p.ru>

DAIKIN INDUSTRIES, LTD.

Head Office. Umeda Center Bldg., 4-12, Nakazaki-Nishi 2-chome, Kita-ku, Osaka, 530-8323 Japan.

Tel: 06-6373-4338

Fax: 06-6373-7297

Tokyo Office. JR Shinagawa East Bldg., 10F 18-1, Konan 2-chome, Minato-ku Tokyo, 108-0075 Japan.

Tel: 03-6716-0420

Fax: 03-6716-0230